

Nominal Size:

Dimensions: Inches (mm)

West Coast Units:

36ACTRIO	36" W x 36" D x 84" H	(915 x 915 x 2135)
48ACTRI	48" W x 36" D x 84" H	(1220 x 915 x 2135)
60ACTRI	60" W x 34" D x 84" H	(1525 x 865 x 2135)

East Coast Units:

36ACTRIB	36" W x 36" D x 84" H	(915 x 915 x 2135)
48ACTRIB	48" W x 36" D x 84" H	(1220 x 915 x 2135)
60ACTRIB	60" W x 34" D x 84" H	(1525 x 865 x 2135)

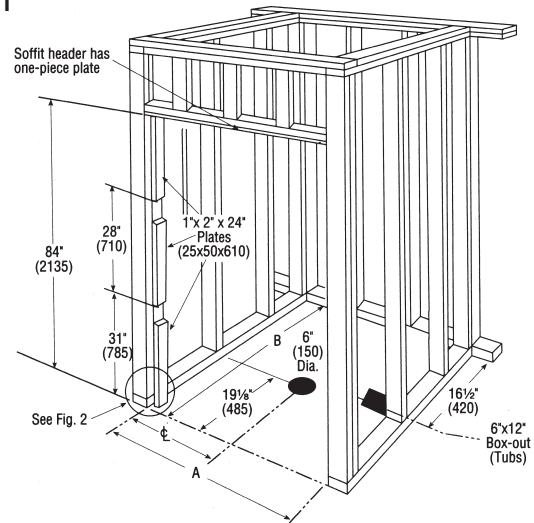
A. Pre-Installation Planning

1. Make sure framed-in pocket is of proper size per Aquatic dimensions, square, and plumb; check floor for levelness.
2. If fire rated walls are required inside the pocket, approved materials must be in place prior to unit installation. NOTE: Finished pocket must have interior dimensions shown on framing diagrams to permit installation.
3. If a shower door is to be installed, measure enclosure opening after unit installation and before ordering. NOTE: Where local codes specify minimum door openings, showers may require swing [not sliding] doors.
4. If a bath light is to be installed, cut out required area in flat portion in center of the dome. Use a fine-tooth or abrasive-grit blade. Cut from inside of dome. Light fixture must have UL label and be water- and steam-tight.
5. Foundation materials are recommended. Shimming may be needed to level unit and for additional support.

B. Pre-Installation Requirements

1. A 6" (150) round hole must be provided for the 2" (50) IPS stub-up waste pipe and shower drain fitting for shower stalls. [Fig. 1]
2. Front corner posts are double 2" x 4" (50 x 100) studs for flush mounting, or triple 2" x 4" (50 x 100) studs for recessed mounting. [Fig. 2]
3. The six 1" x 2" x 24" (25 x 50 x 610) mounting plates installed on the front corner posts are interrupted twice on each side by the base/wall and wall/dome fastening flanges. Header plate is one piece. [Fig. 1]
4. To avoid obstruction, make sure that shower elbow and mixer valve stem are not protruding into the pocket.
5. On the outside of the plumbing endwall of the unit, mark location of the shower arm and mixer valve per the suggested dimensions shown in Fig. 3. Double check locations of marks and drill 1/4" (5) pilot holes.
6. From the inside of the unit, use proper size hole saws with fine-tooth or abrasive-grit cutting edge, cut holes for plumbing fixtures.
7. Fasten shower drain fitting at this time.

Fig. 1



DIMENSION	36ACTRIO	48ACTRI	60ACTRI
A	36" (915)	48" (1220)	60" (1525)
B	36" (915)	36" (915)	34" (864)

HEIGHT, WIDTH DIMENSIONAL TOLERANCE = 0, -1/8" (±5mm)

Fig. 2

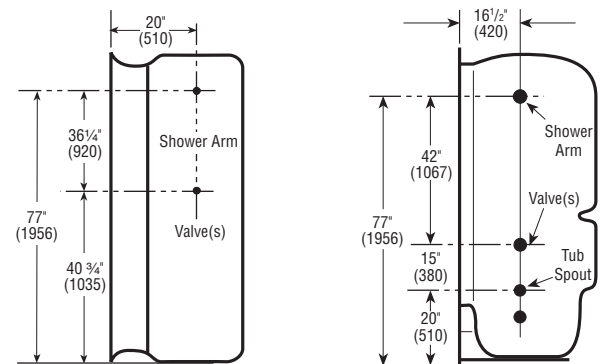
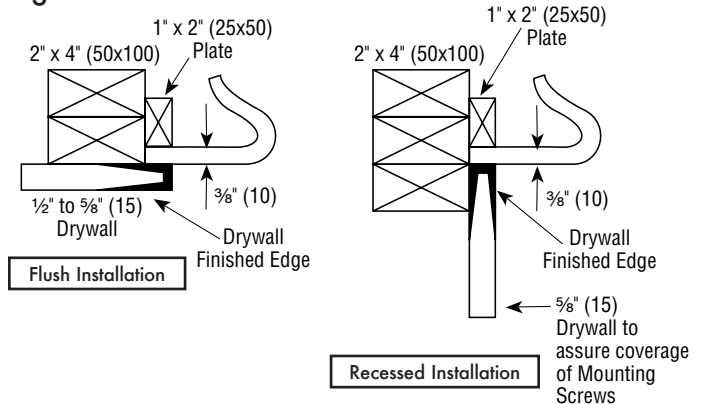


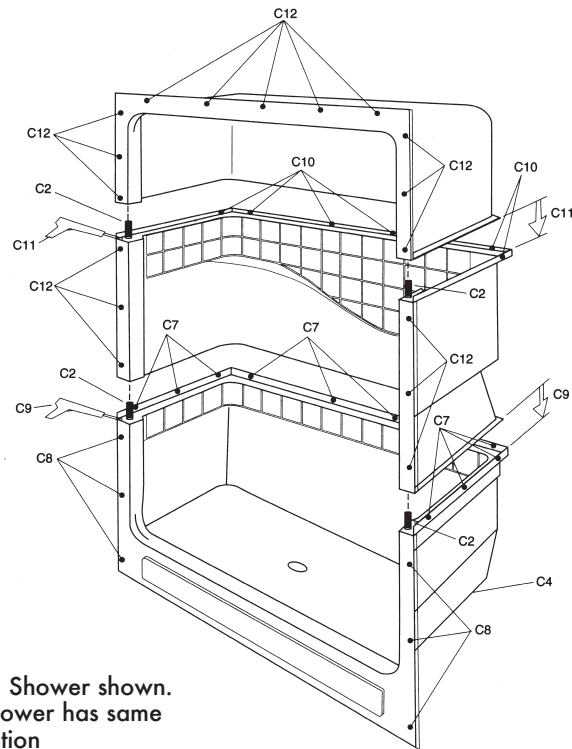
Fig. 3 Valve and Shower Arm Locations

C. Assembly/Installation

1. Disassemble unit as received into three separate sections [base, wall & dome sections] and discard the four shipping bolts. [Fig. 4]
2. Insert the four plastic fasteners [BathLocks™] provided so they protrude upwards through each of the pre-drilled holes where the shipping bolts were in the base and wall sections. Use a hammer to tap in the fasteners.
3. To prevent scuffing while installing the unit, cover the entire bottom of the unit with a piece of cardboard from the face pack in which the unit was shipped.
4. Casting plaster or mortar mix are recommended foundation materials to support bottom and prevent future settling of the unit.
5. Carry base into bathroom and place into framing pocket. Level lengthwise and widthwise using 3 ft. (915) level by shimming under bottom.
6. If rear and/or side nailing flange do not touch the corresponding studs, shims may be used to close the gaps, or studs may be repositioned.
7. Pre-drill rear and side nailing flanges along top of base section and fasten with #8 x 1 1/2" (40) flat head screws to all rear and side wall studs.
8. Fasten all front face pre-drilled holes into the two side ledger strips with #8 x 1 1/2" (40) flat head screws.
9. Silicone caulk all top base ledges, place wall section on top of base section and press down onto two front plastic fasteners [Bathlocks™] [and caulking] until seams are closed. Tool and clean excess caulking per instruction on caulking tube.
10. When fastening top nailing flanges as in step 7, make sure to leave both corner studs and each side stud next to it unfastened.
11. Place dome section on top of wall section [and repeat step 9].
12. Align base, wall, and dome sections on both inside door columns with 5 ft. (1585) straight edge and fasten all front-face pre-drilled holes of wall and dome sections [step 8], including header plate.
13. Make final plumbing connections to supply lines and drain waste in accordance with plumbing code requirements. [Fig. 3]
14. Finish front face of installation with drywall [Fig. 2]
15. To prevent staining, remove all debris before filling with water for plumbing inspection. Drain and wipe clean immediately afterwards.

D. Clean-Up

1. **DO NOT REMOVE WARRANTY LABEL!** Leave on the unit for owner or occupant. [Code Requirement]
2. Use sponge with warm water and a liquid nonabrasive detergent. **DO NOT USE** scouring pads, steel wool, metal scrapers, sand paper or anything else that might scratch, mar or dull the finish. Plaster, latex paint, or other foreign materials may be removed with water, liquid detergent, and plastic scraper. **CAUTION: DO NOT USE** heat, or solvent based cleaning fluids.
3. Dull areas and light scratches may be removed by buffing with a light colored automotive rubbing compound and soft cloth. Entire unit can be waxed with light colored automotive wax. **DO NOT WAX BOTTOM OF UNIT.**
4. **PREVENT STAINING.** Remove all debris before leak testing for plumbing inspection. Drain and wipe clean immediately after testing and inspection.



**NOTE: Shower shown.
Tub/shower has same
installation**

Customer Service | Technical Services | Warranty Services

1521 No. Cooper, Ste. 500
Arlington, TX 76011
PH: 800-945-2726, 817-801-8300
FAX: 866-544-5353

LITID3901