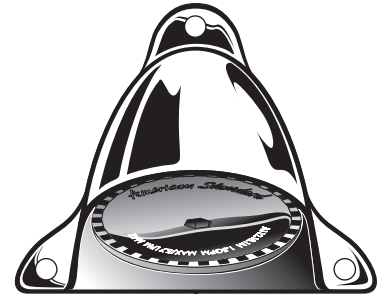


*American Standard*

# Installation Instructions

## COMMERCIAL WALL MOUNTED SHOWERHEAD

1660.243  
1660.244

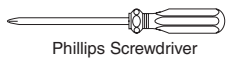


*Thank you for selecting American-Standard...the benchmark of fine quality for over 100 years.*

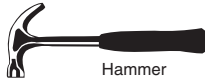
*To ensure that your installation proceeds smoothly—please read these instructions carefully before you begin.*

Certified to comply with ANSI A112.18.1  
M965240 REV. 1.1

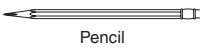
### Recommended Tools & Materials



Phillips Screwdriver



Hammer



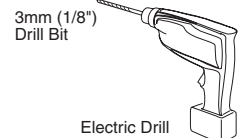
Pencil



Teflon tape



3/32" Hex Wrench



3mm (1/8")  
Drill Bit

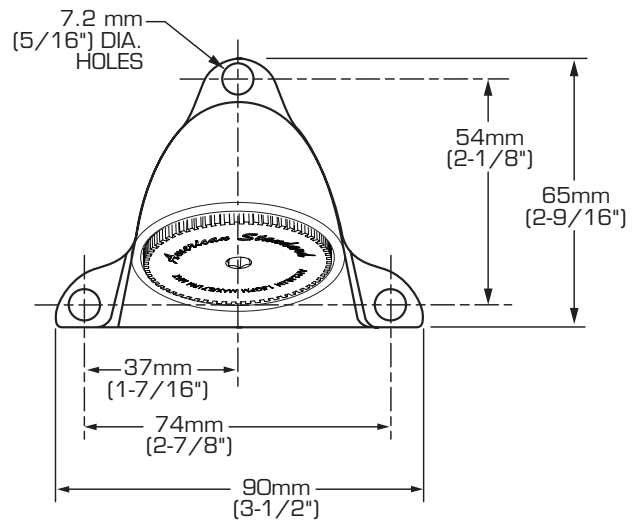
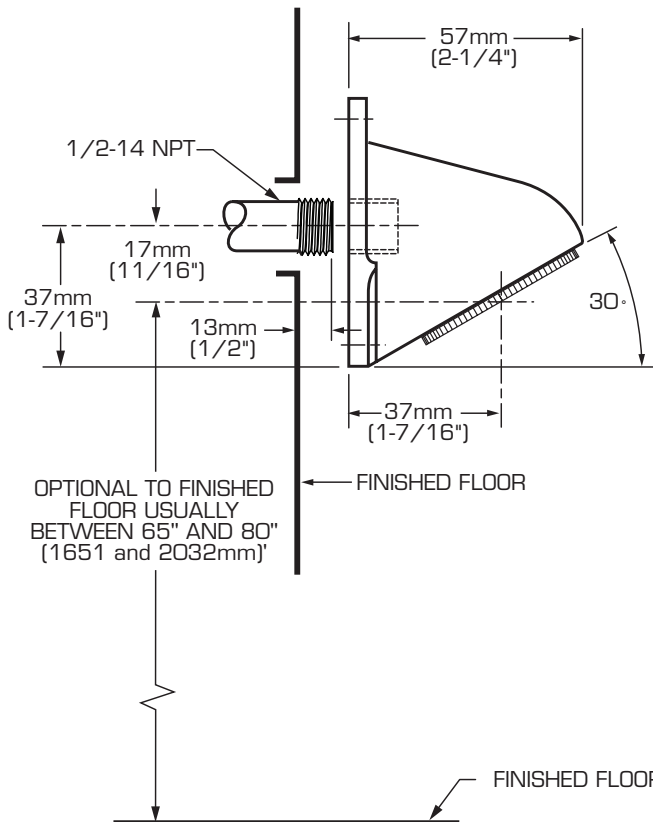
Electric Drill

### CARE INSTRUCTIONS:

**DO:** SIMPLY RINSE THE PRODUCT CLEAN WITH CLEAR WATER. DRY WITH A SOFT COTTON FLANNEL CLOTH.

**DO NOT:** DO NOT CLEAN THE PRODUCT WITH SOAPS, ACID, POLISH, ABRASIVES, HARSH CLEANERS, OR A CLOTH WITH A COARSE SURFACE.

### ROUGHING-IN DIMENSIONS



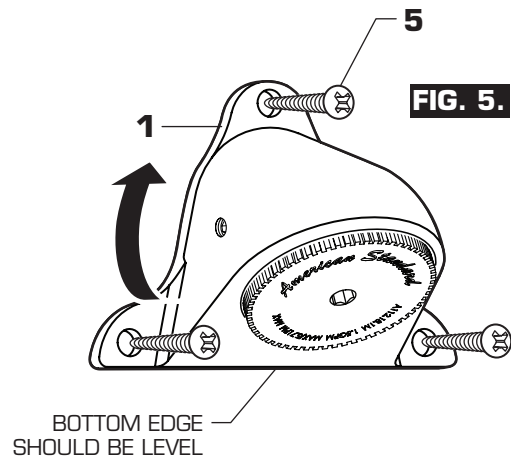
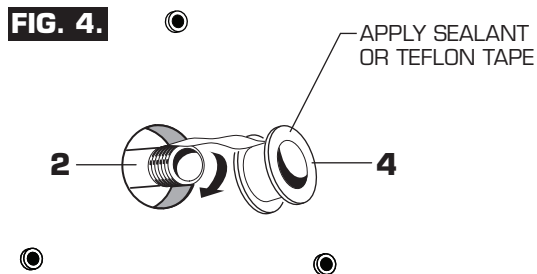
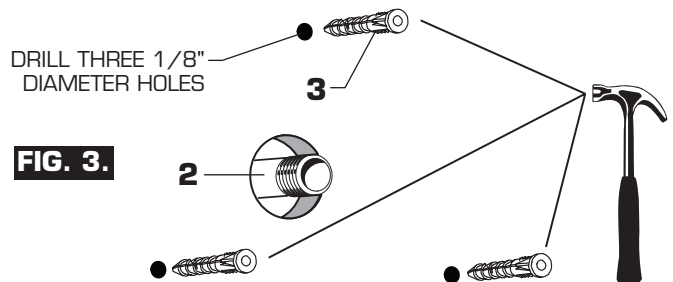
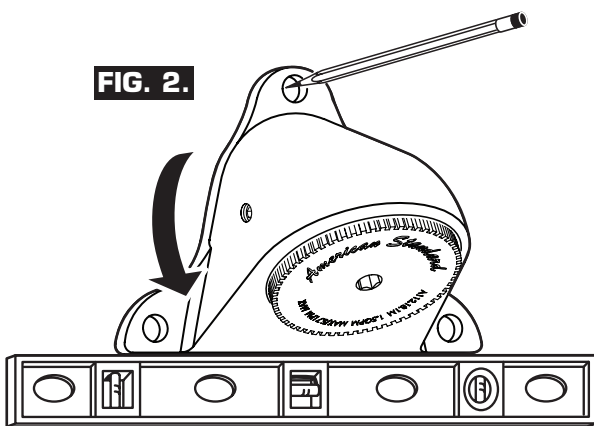
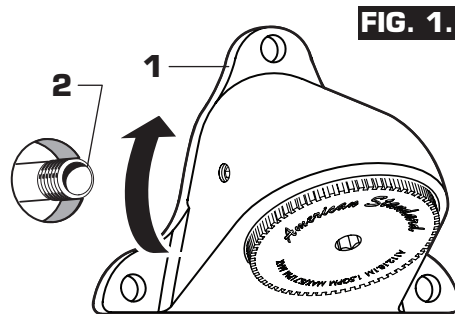
# 1

## INSTALL SHOWER HEAD

### CAUTION

Turn off hot and cold water supplies before beginning.

- Thread SHOWER HEAD (1) hand tight onto SUPPLY NIPPLE (2). FIG. 1.
- Level SHOWER HEAD (1). Mark the location of the three mounting holes. Remove SHOWER HEAD (1). FIG. 2.
- Drill three 1/8" diameter holes a minimum of 1-1/4" deep. With a hammer tap the three ANCHORS (3) (not supplied) flush with face of the finished wall. FIG. 3.
- Apply TEFLON TAPE (4) to SUPPLY NIPPLE (2). FIG. 4.
- Thread SHOWER HEAD (1) onto SUPPLY NIPPLE (2). Use a strap wrench to protect finish. Fully tighten and check for level. Turn shower on and check for leaks. Tighten if required. FIG. 5.
- Install the MOUNTING SCREWS (5) (not supplied) and fully tighten to secure the SHOWER HEAD (1) to the wall. FIG. 5.



*American Standard*

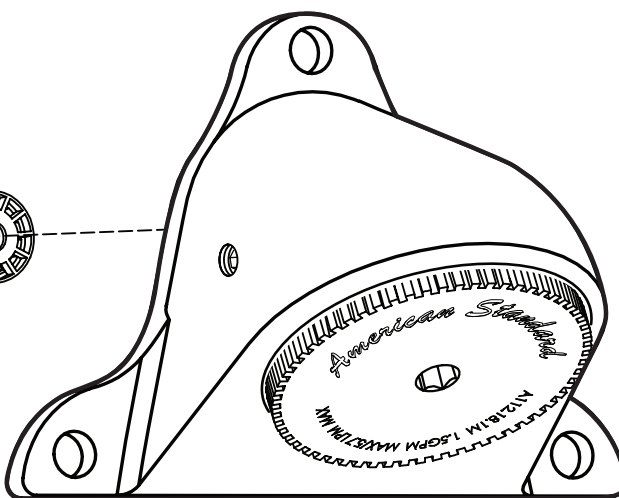
**COMMERCIAL WALL  
MOUNTED SHOWERHEAD**

MODEL NUMBER

**1660.243  
1660.244**

**M964243-0070A**  
FLOW REGULATOR  
2.0 gpm, (7.6L/min.)

**M923208-0070A**  
FLOW REGULATOR  
1.5 gpm, (5.7L/min.)



Appropriate finish code

CHROME 002



HOT LINE FOR HELP  
For toll-free information and answers to your questions, call:  
1-800-442-1902  
Weekdays 8:00 a.m. to 8:00 p.m. EST  
IN MEXICO 01-800-839-1200  
IN CANADA 1-800-387-0369 (TORONTO 1-905-306-1093)  
Weekdays 8:00 a.m. to 7:00 p.m. EST

Product names listed herein are trademarks of American Standard Inc.  
© AS America, Inc. 2012

M965240 REV. 1.1