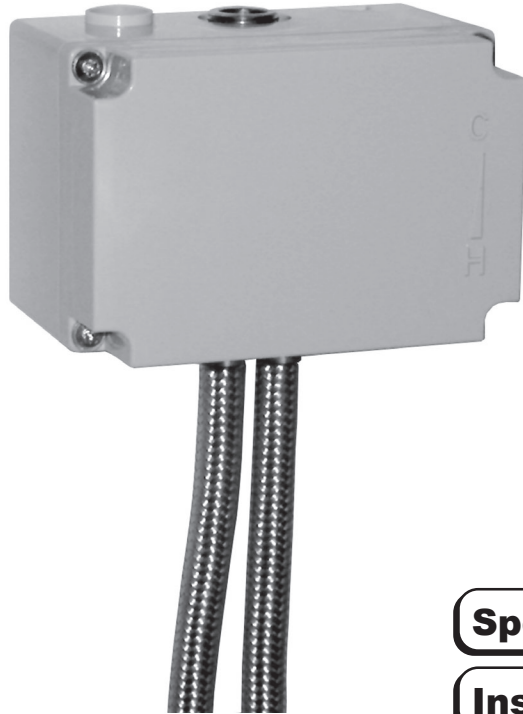


## SELECTRONIC™ Thermostatic Mixing Valve 605XTMV



**Specifications** 1

**Installation** 2

**Adjust Temperature** 3

**Service** 3

**Replacement Parts** 4

Certified to comply with ASME A112.18.1M  
© 2019 American Standard

M968808 REV. 1.2

*American Standard*

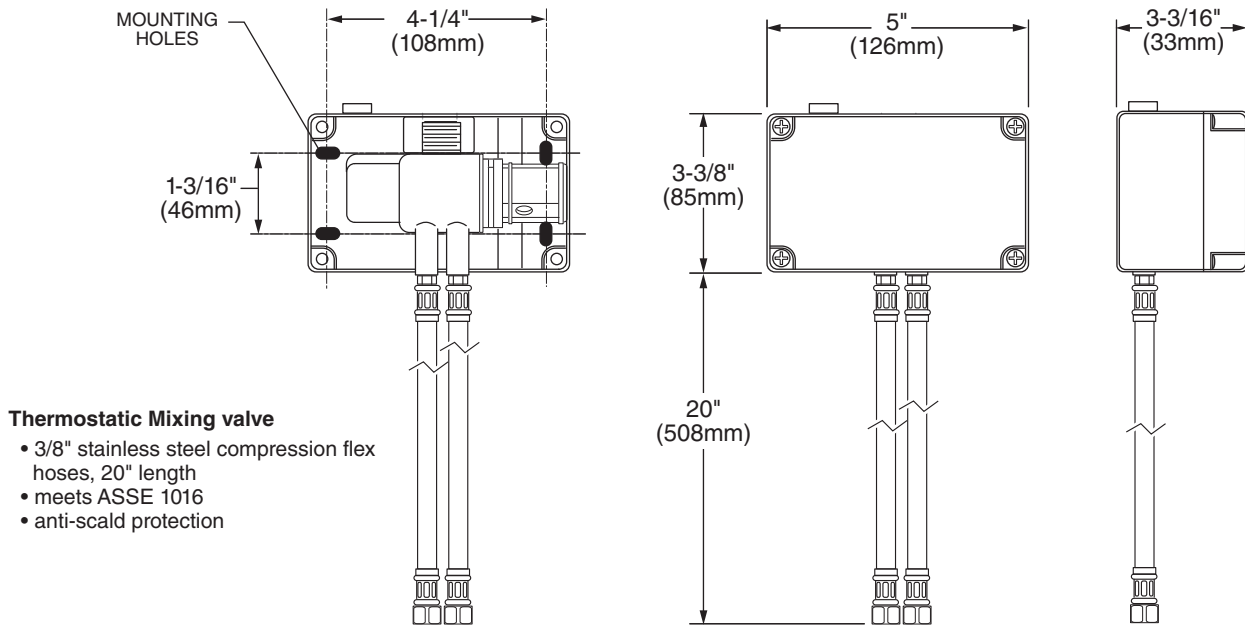
**NOTE TO INSTALLER: Please give this manual to the customer after installation.**

To learn more about American Standard Faucets visit our website at: [www.us.amstd.com](http://www.us.amstd.com) or U.S. customer's e-mail us at: [faucetsupport@amstd.com](mailto:faucetsupport@amstd.com)

**For Parts, Service, Warranty or other Assistance,**

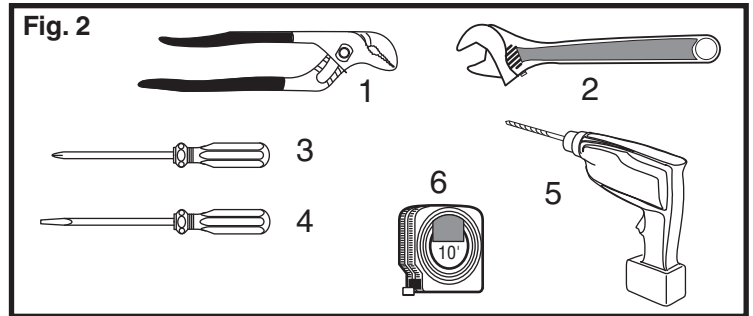
please call **1-800-442-1902 (In Canada: 1-800-387-0369)**  
(In Toronto Area only: 1-905-3061093)

**Fig. 1**  
**Roughing-in Dimensions**



**TOOLS REQUIRED; Fig. 2**

- 1 Channel Locks
- 2 Adjustable Wrench
- 3 Phillips Screwdriver
- 4 Flat Blade Screwdriver
- 5 Electric Drill & 1/4" Drill Bit
- 6 Tape Measure



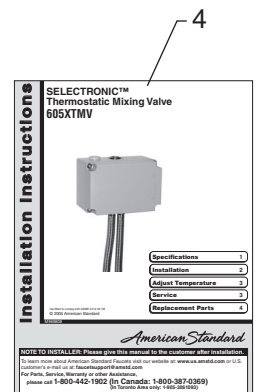
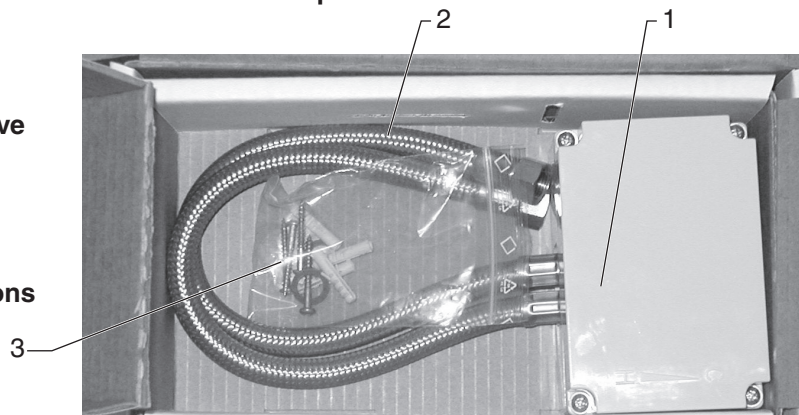
*Thank you for selecting American-Standard...the benchmark of fine quality for over 100 years. To ensure that your installation proceeds smoothly--please read these instructions carefully before you begin.*

**UNPACKING**

**All American Standard Faucets Are Water Tested At Our Factory. Some Residual Water May Remain In The Faucet During Shipping.**

1. Remove the Mixer and loose items from the carton. The picture below shows the Mixer and all loose items after the carton has been opened.

1. Electronics Mixing Valve and Enclosure
2. Supply Hoses
3. Mounting Kit
4. Installations instructions



M968808 REV. 1.2 (9/19)

# INSTALLATION

## 1 MOUNT ENCLOSURE; Fig. 3

1. Remove the bottom SUPPLY HOSE (1) from the SELECTRONIC ENCLOSURE (2). Fig. 3
2. Remove BOTTOM PLUG (3) from SELECTRONIC ENCLOSURE (2). Fig. 3
3. Remove 4 screws from MIXER ENCLOSURE COVER (2) and pull off COVER (2). Fig. 3b
4. Remove MIXING VALVE (7) from ENCLOSURE (3).
5. Install MIXER ENCLOSURE (4) under SELECTRONIC ENCLOSURE (2) as shown in Fig. (3a). Hold the MIXER ENCLOSURE (4) in that location and mark the four mounting hole locations as shown. Fig. (3a)  
**NOTE: MIXER ENCLOSURE SUPPLY HOSES are 20" long. Distance between wall valves and MIXER ENCLOSURE (4) must be taken into consideration.**
5. The ENCLOSURE (4) works best if secured to a wall stud or cross brace within the wall, using the SCREWS (5) supplied. If the MIXER ENCLOSURE (4) is to be installed on a tile or plaster wall the ANCHORS (6) and SCREWS (5) should be used.

6. For installations on drywall or tiled walls; use ANCHORS (6) and SCREWS (5) for securing MIXER ENCLOSURE (4) to finished wall. Drill four 1/4" dia. holes a minimum of 1-3/4" deep. Insert the four ANCHORS (6) flush with face of the finished wall. Align the MIXER ENCLOSURE (4) and Install the MOUNTING SCREWS (5). Tighten to secure MIXER ENCLOSURE (4) to mounting surface.

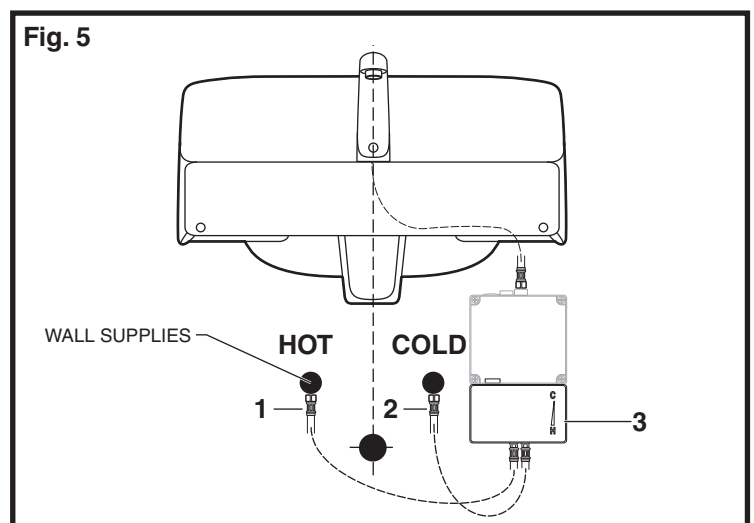
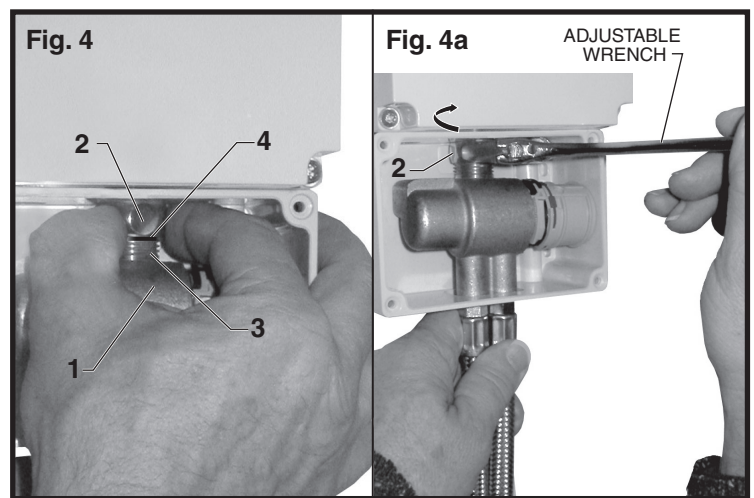
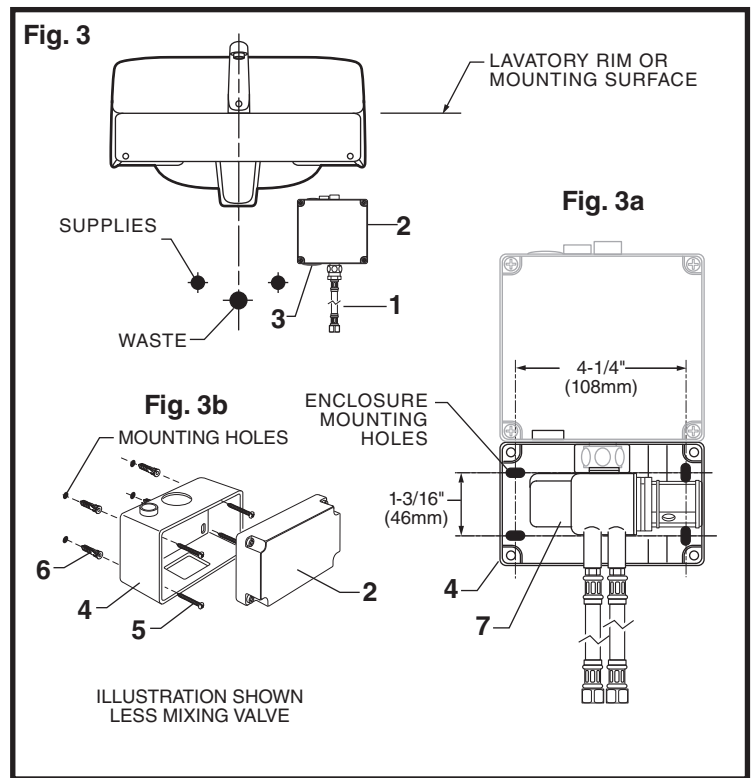
## 2 CONNECT MIXING VALVE; Fig. 4

1. Install MIXING VALVE (1) back into ENCLOSURE.
2. Install FIBER SEAL WASHER (4) on MIXING VALVE NIPPLE (3). Hold MIXING VALVE (1) in place with one hand and with your other hand thread SWIVEL NUT (2) onto MIXING VALVE NIPPLE (3). Fig. 4. Use an adjustable wrench to tighten SWIVEL NUT (2). Fig. 4a
3. Replace ENCLOSURE COVER and tighten securely.

## 3 CONNECT MIXING VALVE TO WATER SUPPLIES; Fig. 5

1. Turn off hot and cold water supplies before beginning.
2. Connect FLEXIBLE SUPPLIES (1, 2) directly to wall supplies. Connection on MIXER supplies are 3/8" compression. Connect left supply to Hot and right supply to Cold wall supply. Use adjustable wrench to tighten connections. Do not over tighten. FIG. 5
3. Faucet supplies measure 20" from the bottom of the ENCLOSURE (3) base.

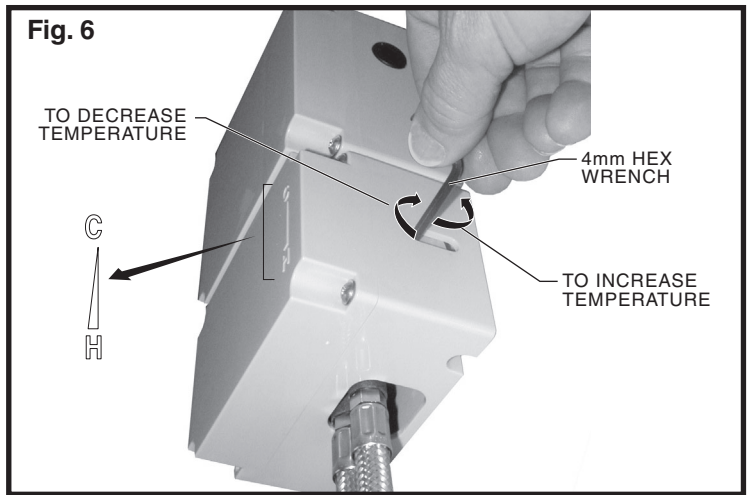
**Note:** If additional supply length is required, installer must purchase parts separately.  
**Important:** If SUPPLY HOSES (1, 2) are too long, loop as to avoid kinking.



# ADJUST TEMPERATURE

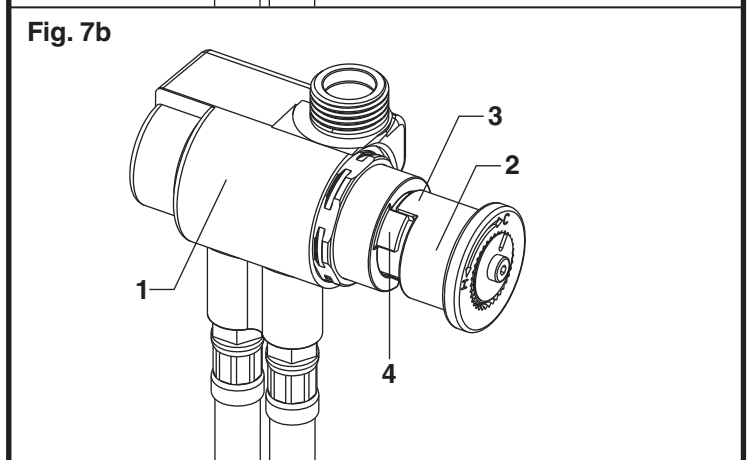
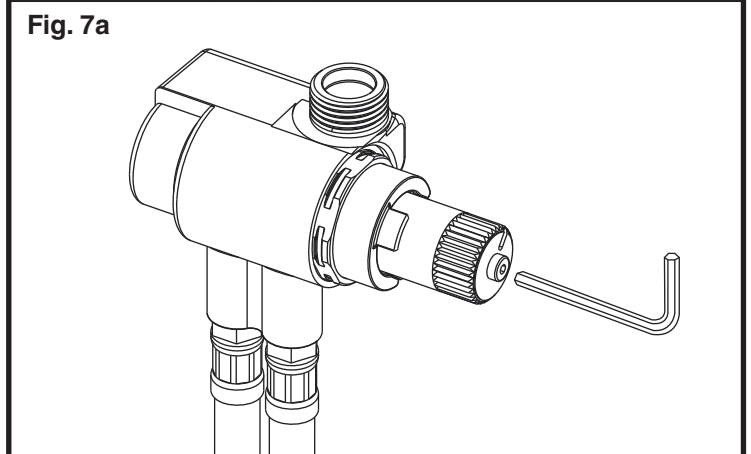
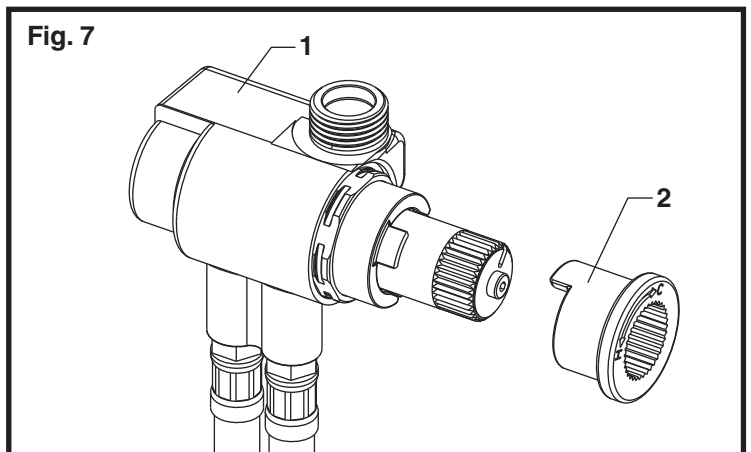
## 4 TO ADJUST TEMPERATURE; Fig. 6

1. Adjust temperature by inserting a 4mm Hex Wrench into hex opening in the side of enclosure. Fig. 6.
2. To decrease temperature, rotate up. (clock-wise)
3. To increase temperature, rotate down. (counter-clockwise)



## 5 ADJUST HOT-LIMIT SAFETY STOP; Fig; 7

1. Remove MIXING VALVE (1) from the enclosure.
2. Remove HOT-LIMIT SAFETY STOP (2) from MIXING VALVE (1) by pulling. Fig. 7.
3. With a 4mm Hex Wrench set the temperature, detailed in section 4, to the desired hot limit. Fig. 7a.
4. Reinstall the HOT-LIMIT SAFETY STOP (2) on to the MIXING VALVE (1). Fig. 7b.
  - a. The orientation of HOT-LIMIT SAFETY STOP (2) while being pushed back on to MIXING VALVE (1) is key to regulating the hot limit. STEP (3) on the hot-limit safety stop should collide with STEP (4) on the mixing valve preventing further counter clockwise rotation thus preventing the temperature from being increased beyond that point.
5. Reinstall MIXING VALVE (1) back into the enclosure.

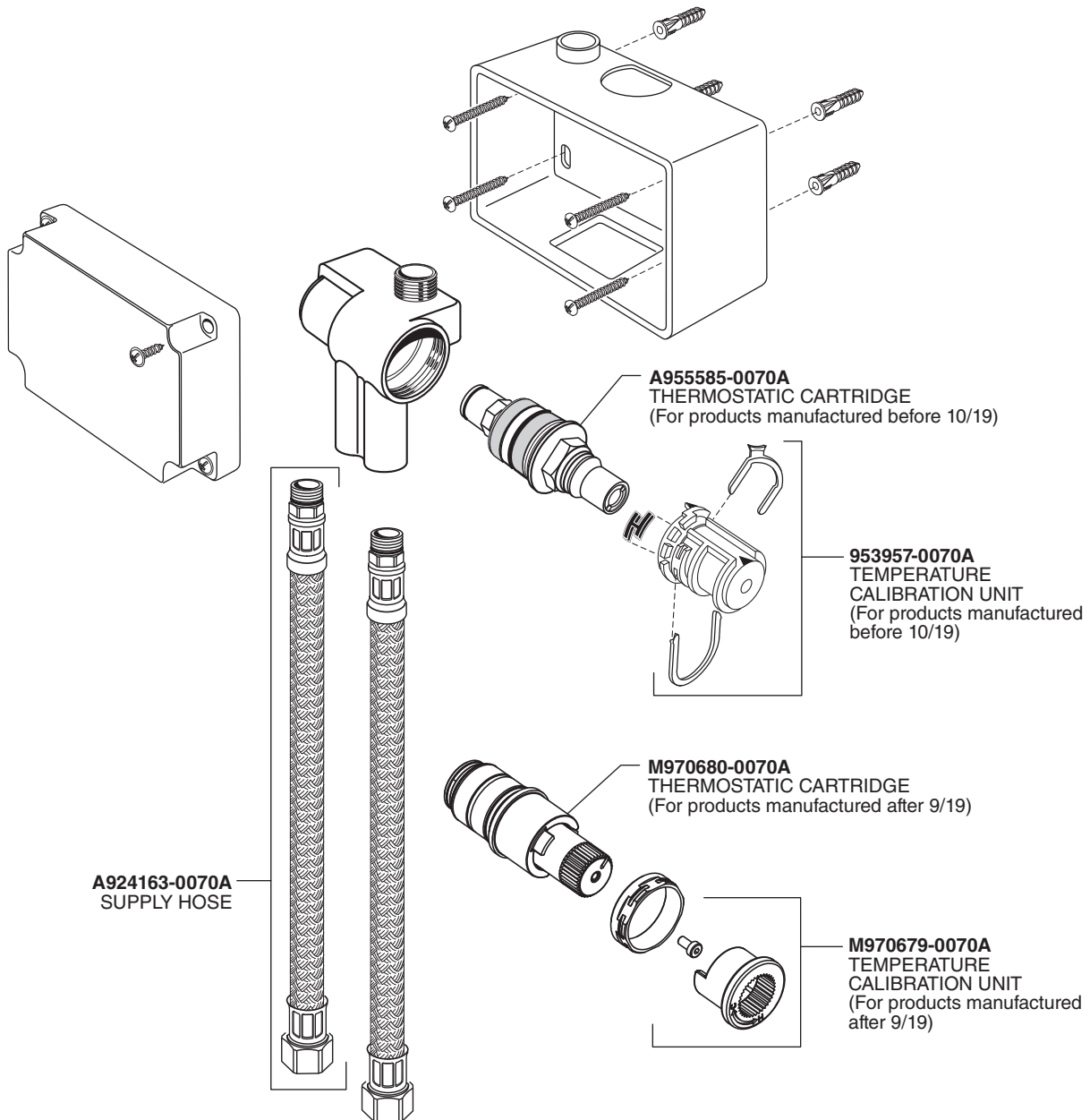


*American Standard*  
**REPLACEMENT PARTS**

**SELECTRONIC™**  
**THERMOSTATIC**  
**MIXING VALVE**

PRODUCT NUMBER

**605XTMV**



**HOT LINE FOR HELP**  
 For toll-free information and answers to your questions, call:  
 (844) CRT-TEAM / (844) 278-8326  
 Mon. - Fri. 8:00 a.m. to 8:00 p.m. EST Saturday 10:00 a.m. to 4:00 p.m. EST  
 IN MEXICO 01-800-839-1200  
 IN CANADA 1-800-387-0369 (TORONTO 1-905-306-1093)  
 Weekdays 8:00 a.m. to 7:00 p.m. EST

Product names listed herein are trademarks of AS America, Inc. ©2019

To learn more about American Standard Selectronic® Products visit our website at:  
[www.americanstandard-us.com](http://www.americanstandard-us.com) or e-mail us at: [CRTTEAM@lxlamericas.com](mailto:CRTTEAM@lxlamericas.com)

PART OF **LIXIL**

M968808 REV. 1.2 (9/19)