

# INSTALLATION INSTRUCTIONS CARE AND MAINTENANCE



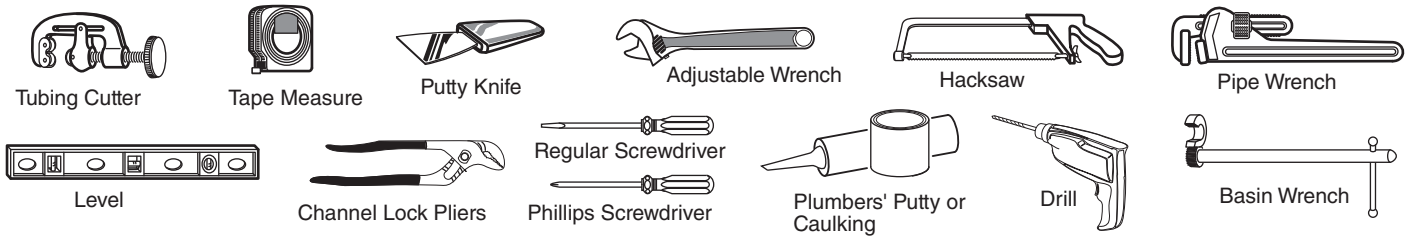
## 0611 CORNICE™ PEDESTAL SINK

Thank you for selecting American Standard - the benchmark of fine quality for over 100 years. To ensure this product is installed properly, please read these instructions carefully before you begin. (Certain installations may require professional help.) Also be sure your installation conforms to local codes.

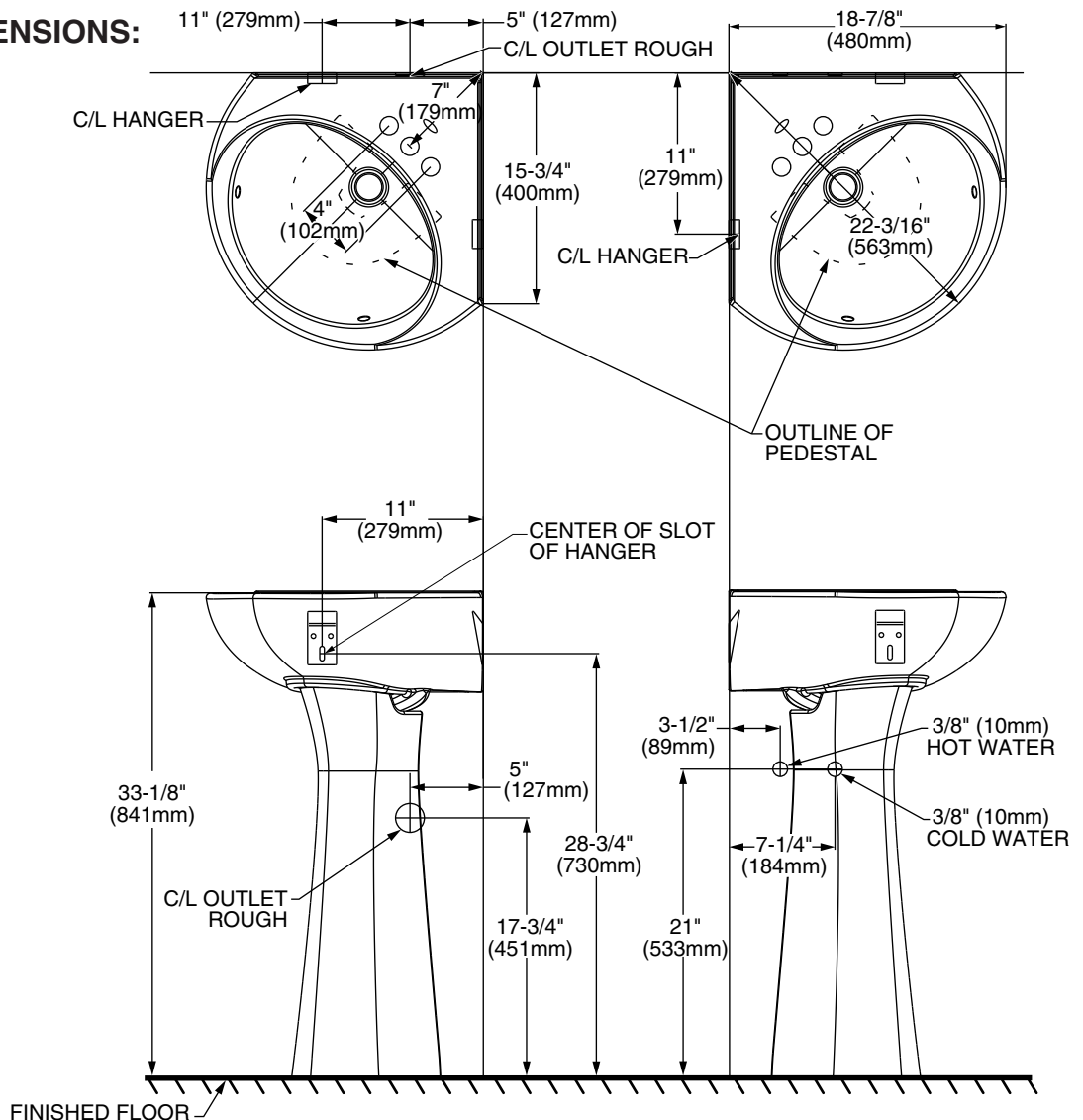
**⚠ CAUTION: PRODUCT IS FRAGILE. TO AVOID BREAKAGE AND POSSIBLE INJURY HANDLE WITH CARE!**  
NOTE: Pictures may not exactly define contour of china and components.

**OBSERVE LOCAL PLUMBING AND BUILDING CODES**

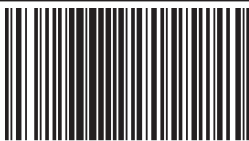
### Recommended Tools & Materials



### ROUGHING-IN DIMENSIONS:



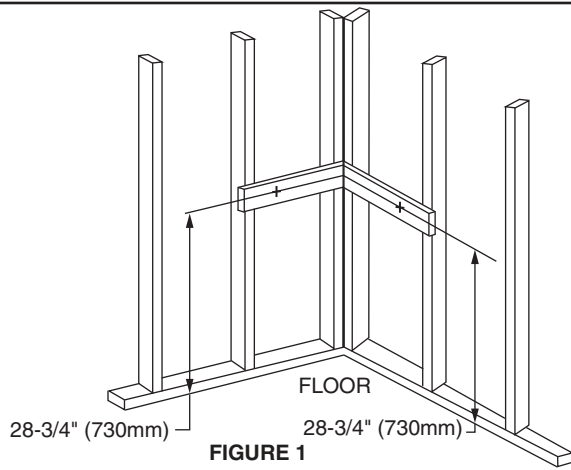
SAVE FOR FUTURE USE



Product names listed herein are trademarks of AS America, Inc.  
© AS America, Inc. 2020

7301997-100 01/20

7301997-100

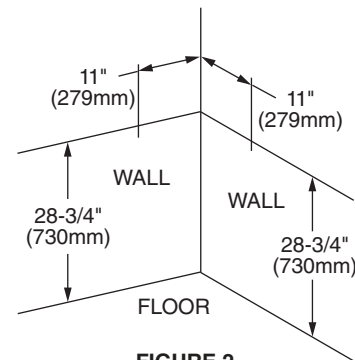
**1****FIGURE 1**

Provide suitable reinforcement behind finished wall for lavatory mounting screws and brackets (reference **FIGURE 1**).

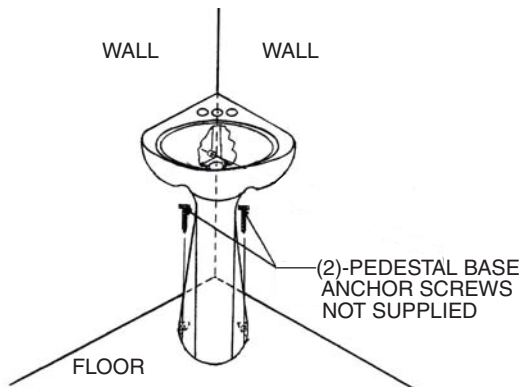
The centerline of the cross braces should be 28-3/4" (730mm) up from the floor on both walls.

**2**

Hangers provided with the lavatory should be mounted 11" (279mm) (Center of Slot of Hanger) from the corner and 28-3/4" (730mm) up from the floor on each wall. (reference **ROUGHING-IN** and **FIGURE 2**) Tighten the hanger, (center slot only) until they will support the lavatory leaving "play" for final adjustment later. Make sure hanger is in its highest position when snugging hanger. Set the lavatory in place.

**FIGURE 2****3**

Position the pedestal leg by using the recess indentation on the underside of the lavatory as a guide and fit to the lavatory with no gaps. The back side of the leg should be vertical and away from the wall surface (reference **FIGURE 3**). Mark the location of the hole(s) in the bottom of the leg. Remove the leg, then drill the starter hole(s) as marked. These hole(s) should be 1-1/2" (38mm) deep. Insert a plastic expansion shield into each hole(s) if required.

**FIGURE 3****4**

Set the pedestal back in place. Put a 3/4" (19mm) washer on each of the screw(s), then screw the screw(s) for the pedestal loosely to the floor.

**5**

Examine the alignment of the pedestal lavatory to the wall to be sure it is centered where you want it. Also check the level and adjust as needed.

Tighten the screw(s) at the base of the pedestal leg.

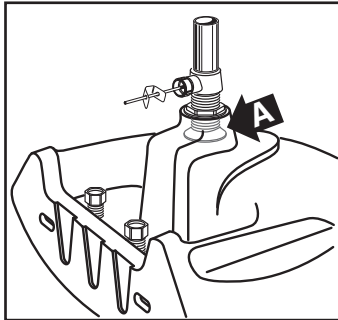
**CAUTION:** Do not overtighten, as this may crack the vitreous china.

**6**

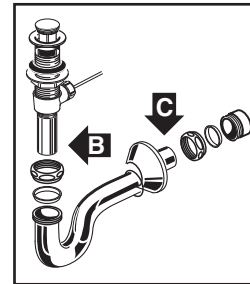
Remove the lavatory and slide the hangers upward to their highest positions. Reset the lavatory to position the hangers in their final position. Remove the lavatory once more and tighten the hangers firmly into place using additional screws.

**7**

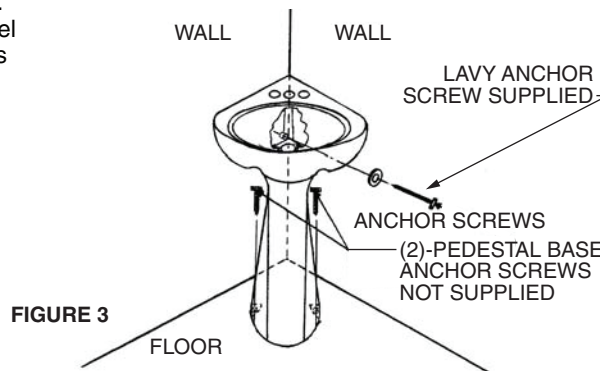
Place the lavatory on a thick layer of papers or drop cloth to protect it from scratches. Following manufacturer's instructions, install faucet and drain assembly (not included). Be certain to apply a bead of sealing putty on the underside of the drain (if needed) (reference area **A**) in order to ensure a watertight seal between the lavatory and drain. Remove excess putty after installing drain on lavatory.

**8**

Return the fitted lavatory to the installed position. Connect trap to drain assembly, hand tighten to check alignment. It may be necessary to cut off part of the tailpiece (area **B**) or part of the horizontal leg of the trap (area **C**).

**9**

Secure the lavatory to the wall as shown in illustration. Install washers and hand tighten nuts or lag bolts. Level and square lavatory. Connect hot and cold supply lines to the shut-off valves. Tighten trap joints for watertight assembly. Turn on supply lines and check for leaks.

**FIGURE 3**

### AS AMERICA, INC. ONE YEAR LIMITED WARRANTY

If inspection of this AS America, Inc. ("American Standard<sup>®</sup>") plumbing product, within one year after its initial purchase, confirms that it is defective in materials or workmanship, American Standard will repair or, at its option, exchange the product for a similar model.

This limited warranty applies only to the original purchaser and installation of these products. In the event of a limited warranty claim, proof of purchase will be required – save sales receipt.

This limited warranty does not apply to local building code compliance. Since local building codes vary considerably, the purchaser of this product should check with a local building or plumbing contractor to ensure local code compliance before installation.

This limited warranty is void if the product has been moved from its initial place of installation; if it has been subjected to faulty maintenance, abuse, misuse, accident or other damages; if it was not installed in accordance with American Standard's instructions; or if it has been modified in a manner inconsistent with the product as shipped by American Standard.

American Standard's option to repair or exchange the product under this limited warranty does not cover any labor or other costs of removal or installation. **IN NO EVENT WILL American Standard BE LIABLE FOR THE COST OF REPAIR OR REPLACEMENT OF ANY INSTALLATION MATERIALS, INCLUDING BUT NOT LIMITED TO, TILES, MARBLE, ETC.** American Standard will not be responsible for any other incidental or consequential damages attributable to a product defect or to the repair or exchange of a defective product, all of which are expressly excluded from this limited warranty. This limited warranty does not cover any liability for consequential or incidental damages, all of which are hereby expressly disclaimed, or the extension beyond the duration of this limited warranty or any implied limited warranties, including those of merchantability or fitness for an intended purpose. (Some states or provinces do not allow the exclusion or limitation of implied limited warranties, so this exclusion may not apply to you.)

This limited warranty gives you specific legal rights. You may have other statutory rights that vary from state to state or from province to province, in which case this limited warranty does not affect such statutory rights.

#### **In the United States:**

American Standard Brands  
1 Centennial Ave.  
Piscataway, New Jersey 08855  
Attention: Director of Customer Care  
For residents of the United States, warranty information may also be obtained by calling the following toll free number: (800) 442-1902  
[www.americanstandard.com](http://www.americanstandard.com)

#### **In Canada:**

LIXIL Canada, ULC  
5900 Avebury Rd.  
Mississauga, Ontario  
Canada L5R 3M3  
Toll Free: (800) 387-0369  
[www.americanstandard.ca](http://www.americanstandard.ca)

#### **In Mexico:**

American Standard B&K Mexico  
S. de R.L. de C.V.  
Via Morelos #330  
Col. Santa Clara  
Ecatepec 55540 Edo. Mexico  
Toll Free: 01-800-839-1200  
[www.americanstandard.com.mx](http://www.americanstandard.com.mx)