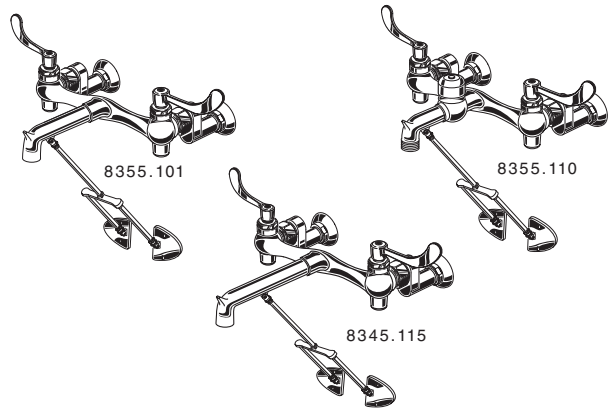


American Standard

Exposed Yoke Wall Mount Utility Faucet with Bottom Brace

Installation Instructions

**8355.110.002
8355.101.002
8345.115.002**



Thank you for selecting American-Standard... the benchmark of fine quality for over 100 years.

To ensure that your installation proceeds smoothly—please read these instructions carefully before you begin.

Certified to comply with ANSI A112.18.1M
M965042 Rev. 1.6

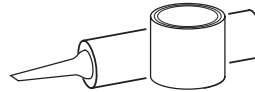
RECOMMENDED TOOLS



Channel Locks



Adjustable Wrench

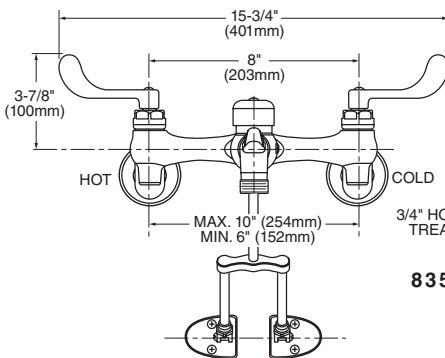


Plumbers' Putty or Caulking

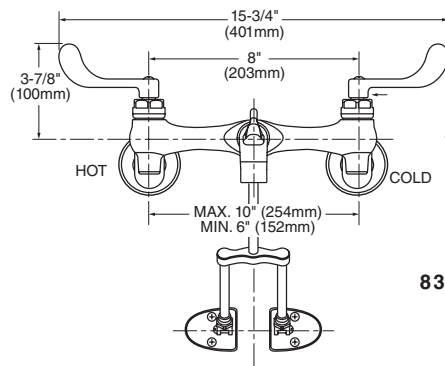
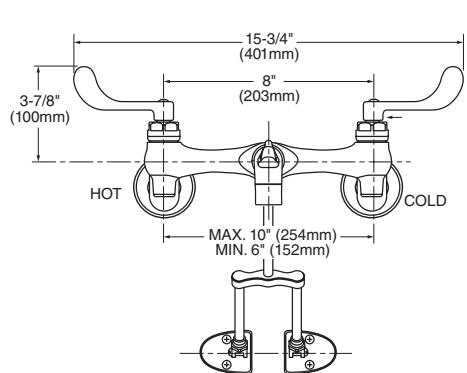
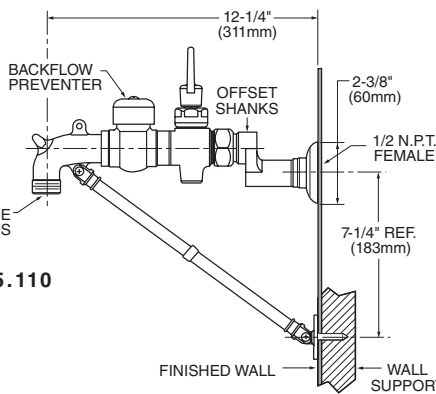


Phillips Screwdriver

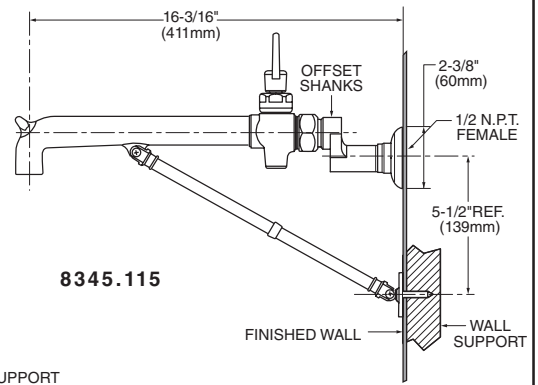
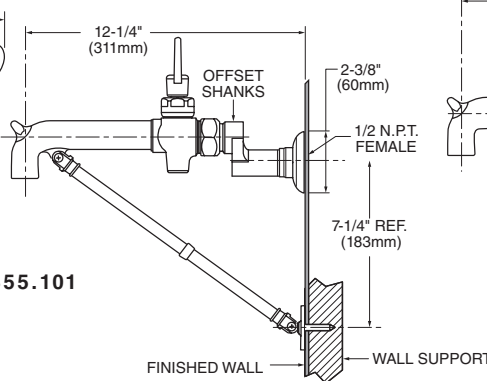
ROUGHING-IN DIMENSIONS



8355.110



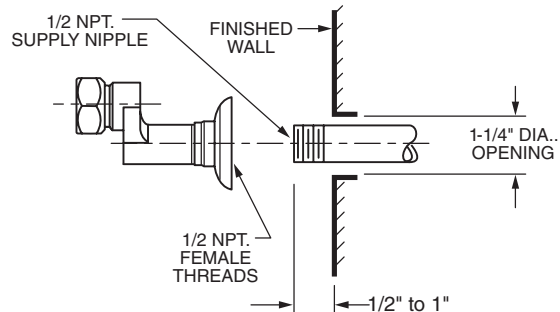
8355.101



8345.115

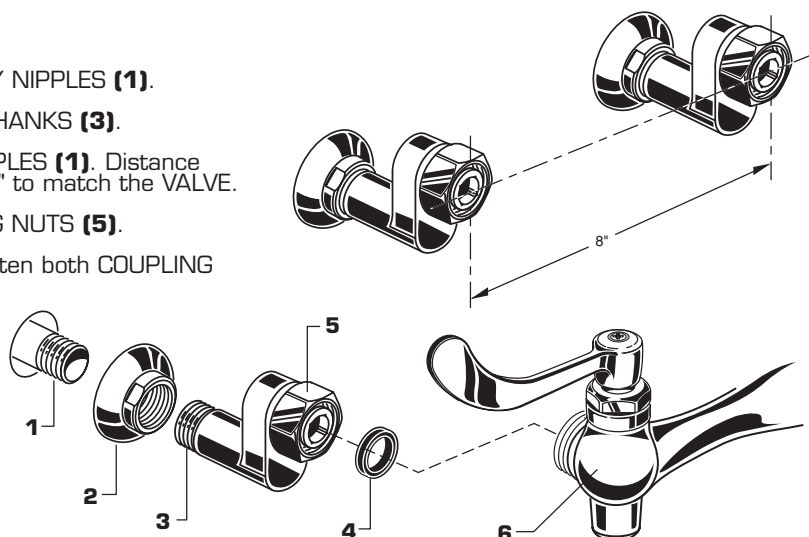
1 ROUGH-IN

- Prepare water supply lines per "Roughing-in Dimensions". Install 1/2" NPT. SUPPLY NIPPLES



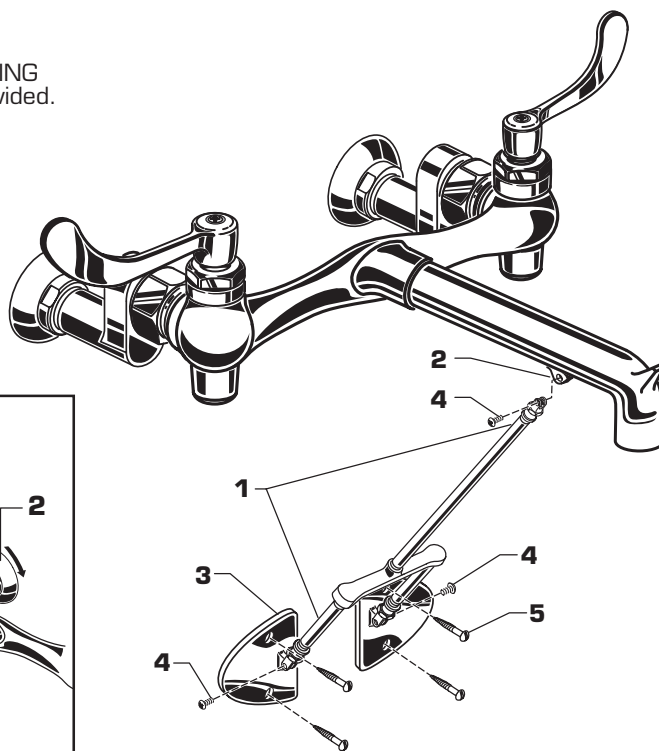
2 FINISH INSTALLATION

- Apply thread sealant or teflon tape to SUPPLY NIPPLES (1).
- Thread ESCUTCHEONS (2) fully onto INLET SHANKS (3).
- Thread INLET SHANKS (3) onto SUPPLY NIPPLES (1). Distance between INLET SHANK (3) outlets must be 8" to match the VALVE.
- Insert RUBBER WASHERS (4) into COUPLING NUTS (5).
- Attach VALVE (6) to INLET SHANKS (3). Tighten both COUPLING NUTS (5) firmly.



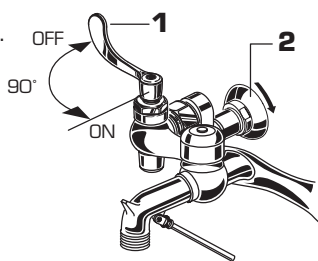
3 ATTACH SPOUT BRACE

- Attach SPOUT BRACE (1) to SPOUT (2) and WALL MOUNTING PLATES (3) with the three SPOUT BRACE SCREWS (4) provided.
- IF WALL MOUNTING PLATES (3) are not fastened to a wall support within the wall, use wall anchors with MOUNTING SCREWS (5).
- Mark mounting hole location on wall and fasten MOUNTING PLATE (3) to wall with MOUNTING SCREWS (5) provided.



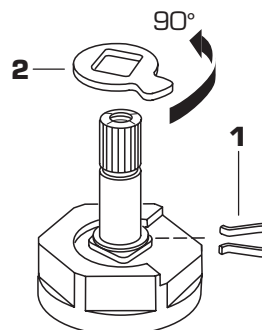
4 TEST FAUCET

- Turn HANDLES (1) TO OFF POSITION.
- Slowly turn water supplies on and check all connections for leaks.
- Operate HANDLES to flush water lines thoroughly.
- Turn HANDLES to OFF position.
- Thread ESCUTCHEONS (2) against finished wall.



5 SERVICE

- To change direction of handle rotation, proceed as follows:
 - Turn HANDLE to OFF position.
 - Remove HANDLE SCREW and HANDLE.
 - Remove SPRING CLIP (1).
 - Lift STOP WASHER (2), turn 90° and replace.
 - Replace SPRING CLIP (1).
 - Replace HANDLE and HANDLE SCREW.
- If spout drips, operate handles several times from OFF to ON position. Do not force - handles turn only 90°.



CARE INSTRUCTIONS:

DO: SIMPLY RINSE THE PRODUCT CLEAN WITH CLEAR WATER. DRY WITH A SOFT COTTON FLANNEL CLOTH.
DO NOT: DO NOT CLEAN THE PRODUCT WITH SOAPS, ACID, POLISH, ABRASIVES, HARSH CLEANERS, OR A CLOTH WITH A COARSE SURFACE.

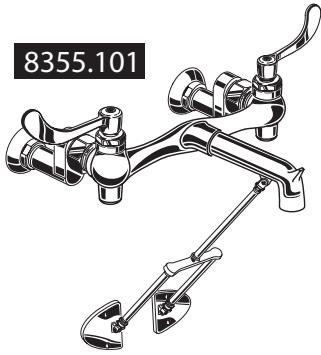
American Standard

Exposed Yoke Wall Mount Utility Faucet with Bottom Brace

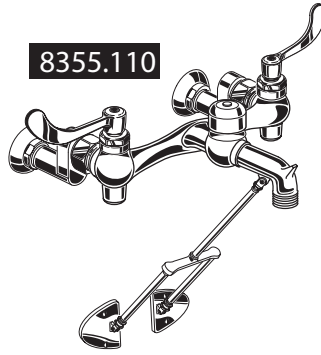
MODEL NUMBER

8355.110.002
8355.101.002
8345.115.002

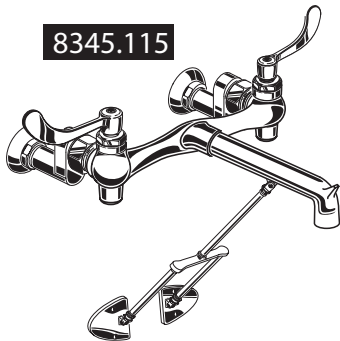
8355.101



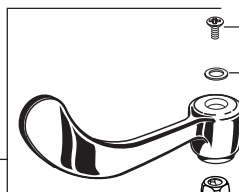
8355.110



8345.115



051217-0020A
WRIST BLADE HANDLE



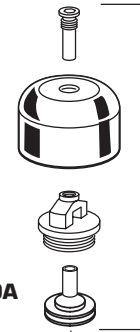
051322-0020A
HANDLE SCREW
051211-0070A
INDEX KIT (PAIR)



M918014-0070A
ADAPTER



M962952-0020A
VACUUM BREAKER REPAIR KIT



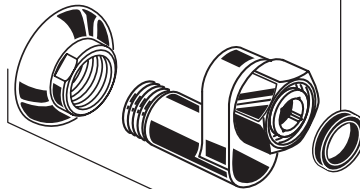
904939-0020A
BONNET NUT



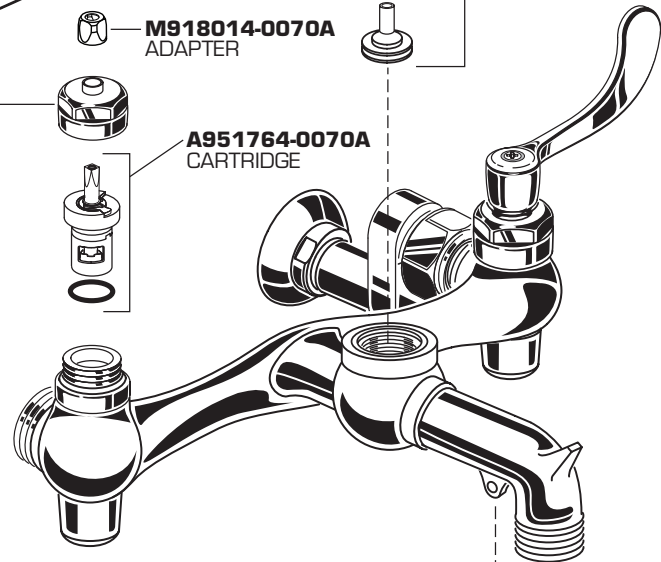
A951764-0070A
CARTRIDGE



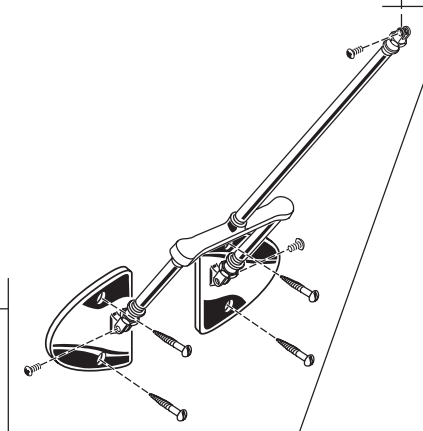
M911631-0070A
GASKET



M964433-0020A
FEMALE OFF-SET SHANK KIT WITH ESCUTCHEON



M962091-0020A
SPOUT BRACE



Appropriate Finish Code

CHROME 002

HOT LINE FOR HELP

For toll-free information and answers to your questions, call:
 1-800-442-1902
 Weekdays 8:00 a.m. to 6:00 p.m. EST
 IN CANADA 1-800-387-0369 (TORONTO 1-905-306-1093)
 Weekdays 8:00 a.m. to 7:00 p.m. EST
 IN MEXICO 01-800-839-1200



Product names listed herein are trademarks of American Standard Inc.
 © AS America, Inc. 2010

M965042 Rev.1.6