

11.0

FOLD

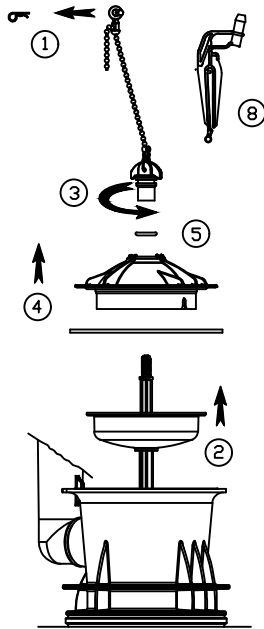
### American Standard

CHAMPION<sup>4</sup> (MODELS: 2020 & OLDER)  
GASKET & DRING REPAIR KIT  
KIT No. 7301111-0070A REV. B

TURN OFF WATER SUPPLY & DRAIN TANK BY LIFTING CHAIN.

1. DISCONNECT CHAIN FROM LEVER ARM BY REMOVING HAIR PIN COTTER & CLEVIS PIN.
2. LIFT & SUPPORT THE FLOAT ASSEMBLY BOTTOM WITH ONE HAND.
3. REMOVE THUMBSCREW BY TURNING COUNTER-CLOCKWISE.
4. REMOVE FLAPPER TOP & GASKET, REPLACE WITH NEW GASKET.
5. REMOVE DRING FROM THUMBSCREW AND REPLACE WITH NEW DRING.
6. REVERSE PROCEDURE TO ASSEMBLE, TURN THUMBSCREW UNTIL 'DETENT' IS FELT.
7. RE-ATTACH CHAIN TO LEVER ARM WITH CLEVIS PIN & INSERT HAIR PIN COTTER.
8. REPLACE THE REFILL WITH THE NEW ONE PROVIDED.

PAGE 1



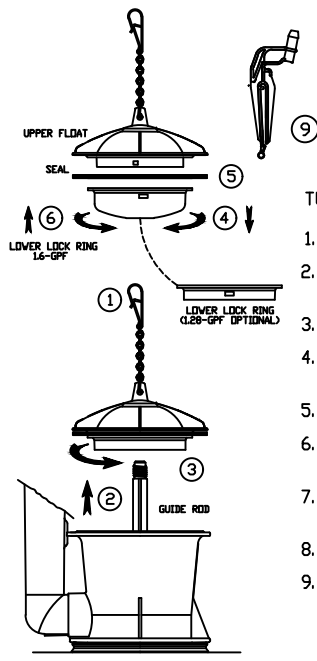
### American Standard

IMPROVED CHAMPION<sup>4</sup> (MODELS: 2020 & NEWER)  
GASKET REPAIR KIT  
KIT No. 7301111-0070A REV. B

TURN OFF WATER SUPPLY & DRAIN TANK BY LIFTING CHAIN.

1. DISCONNECT CHAIN HOOK FROM LEVER ARM.
2. LIFT & SUPPORT THE FLOAT ASSEMBLY BY HOLDING THE GUIDE ROD WITH ONE HAND.
3. REMOVE UPPER FLOAT BY TURNING COUNTER-CLOCKWISE.
4. REMOVE LOWER FLOAT LOCK RING BY TWISTING SLIGHTLY COUNTER-CLOCKWISE & PULL DOWN TO REMOVE.
5. REMOVE SEAL FROM UPPER FLOAT & REPLACE WITH NEW.
6. REPLACE LOWER LOCK RING BY ALIGNING SLOTS WITH TABS ON UPPER FLOAD, PRESS & TWIST CLOCKWISE TO LOCK.
7. RE-ATTACH FLOAT ASSEMBLY TO GUIDE ROD BY TURNING CLOCKWISE UNTIL TIGHT.
8. RE-ATTACH HOOK TO LEVER ARM.
9. REPLACE THE REFILL CLIP WITH THE NEW ONE PROVIDED.

IS P/N 7301112-100 REV-A PAGE 2



4.25

CUT

8.5

CUT

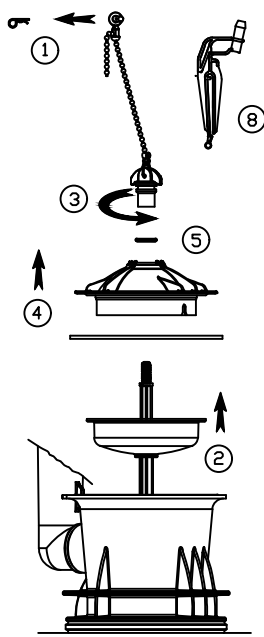
### American Standard

CHAMPION<sup>4</sup> (MODELS: 2020 & OLDER)  
GASKET & DRING REPAIR KIT  
KIT No. 7301111-0070A REV. B

TURN OFF WATER SUPPLY & DRAIN TANK BY LIFTING CHAIN.

1. DISCONNECT CHAIN FROM LEVER ARM BY REMOVING HAIR PIN COTTER & CLEVIS PIN.
2. LIFT & SUPPORT THE FLOAT ASSEMBLY BOTTOM WITH ONE HAND.
3. REMOVE THUMBSCREW BY TURNING COUNTER-CLOCKWISE.
4. REMOVE FLAPPER TOP & GASKET, REPLACE WITH NEW GASKET.
5. REMOVE DRING FROM THUMBSCREW AND REPLACE WITH NEW DRING.
6. REVERSE PROCEDURE TO ASSEMBLE, TURN THUMBSCREW UNTIL 'DETENT' IS FELT.
7. RE-ATTACH CHAIN TO LEVER ARM WITH CLEVIS PIN & INSERT HAIR PIN COTTER.
8. REPLACE THE REFILL WITH THE NEW ONE PROVIDED.

PAGE 1



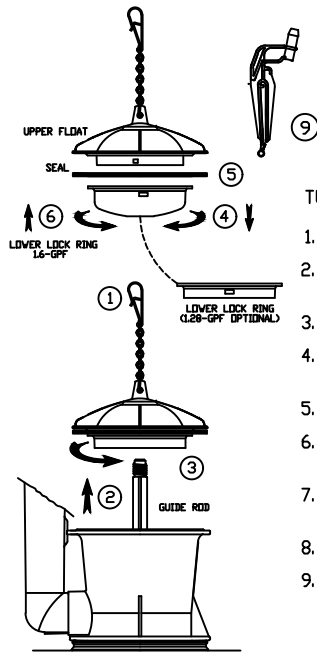
### American Standard

IMPROVED CHAMPION<sup>4</sup> (MODELS: 2020 & NEWER)  
GASKET REPAIR KIT  
KIT No. 7301111-0070A REV. B

TURN OFF WATER SUPPLY & DRAIN TANK BY LIFTING CHAIN.

1. DISCONNECT CHAIN HOOK FROM LEVER ARM.
2. LIFT & SUPPORT THE FLOAT ASSEMBLY BY HOLDING THE GUIDE ROD WITH ONE HAND.
3. REMOVE UPPER FLOAT BY TURNING COUNTER-CLOCKWISE.
4. REMOVE LOWER FLOAT LOCK RING BY TWISTING SLIGHTLY COUNTER-CLOCKWISE & PULL DOWN TO REMOVE.
5. REMOVE SEAL FROM UPPER FLOAT & REPLACE WITH NEW.
6. REPLACE LOWER LOCK RING BY ALIGNING SLOTS WITH TABS ON UPPER FLOAD, PRESS & TWIST CLOCKWISE TO LOCK.
7. RE-ATTACH FLOAT ASSEMBLY TO GUIDE ROD BY TURNING CLOCKWISE UNTIL TIGHT.
8. RE-ATTACH HOOK TO LEVER ARM.
9. REPLACE THE REFILL CLIP WITH THE NEW ONE PROVIDED.

IS P/N 7301112-100 REV-A PAGE 2



FOLD

5.5