

# LEITH 22" WALL HUNG BASIN

Cat. No  
4-1128



Faucet not included



Mounting hardware

W: 22-3/8"  
D: 16"  
H: 5"

## Interior Dimensions:

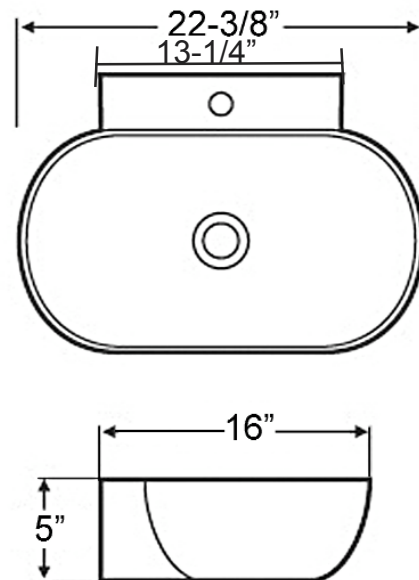
Basin Interior: 21-7/8" x 11-1/4"  
Basin Depth: 4"  
Back of basin to center of faucet: 2-1/2"  
Back of basin to center of drain: 9-5/8"  
Mount holes cc: 4-1/2"  
Faucet hole diameter: 1-1/2"

## Features:

- ▶ Wall hung basin
- ▶ Made of Vitreous China
- ▶ Pre-drilled with single hole (4-1128), 4" centerset (4-1129), and 6" mini widespread (4-1131)
- ▶ No overflow
- ▶ Mounting hardware included
- ▶ Drain not provided

## Colors WH White

Meets or exceeds the following specifications: ASME A112.19.2 2018 and CSA B45.1-18 for ceramic plumbing fixtures.



Dimensions of fixture are nominal and may vary within the range of tolerances established by ASME Standard A112.19.2.2018. Dimensions and specifications subject to change without notice.