

INFINITY 500 WALL HUNG BASIN

Cat. No
4-32X



Faucet not included

W: 19-3/4"
D: 15"
H: 5"

Interior Dimensions:

Basin Interior: 16" x 9-3/4 "
Basin Depth: 1-5/8"
Water depth to overflow: 2"
Spout hole: 1-3/8 "
Back of basin to center of drain: 7-1/4"
Back of basin to center of faucet: 1-3/4"
Mount holes cc: 8"

Features:

- ▶ Made of Vitreous China
- ▶ Wall hung basin
- ▶ Available with 1-hole (4-321), 4" centerset (4-324), 6" mini widespread (4-326), and 8" widespread (4-328)
- ▶ Pre-drilled overflow hole
- ▶ Mounting hardware included

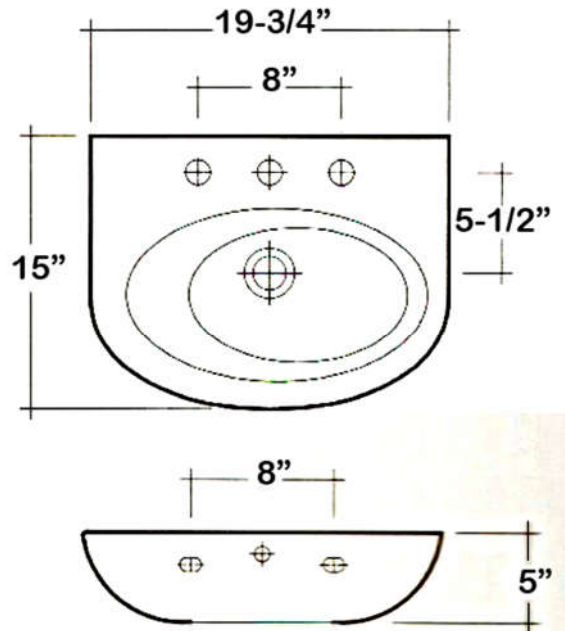
Colors:

WH White



Mounting hardware

Meets or exceeds the following specifications: ASME A112.19.2 2018 and CSA B45.1-18 for ceramic plumbing fixtures.



Dimensions of fixture are nominal and may vary within the range of tolerances established by ASME Standard A112.19.2-2018. Dimensions and specifications subject to change without notice.