

67" ASIA DOUBLE ACRYLIC ROLL TOP TUB

Cat. No.
ADTR67



L: 67"
W: 29-1/2"
H: 24-1/2" (from floor)
18" (from bottom of tub)

Water Depth: 11-1/2" to OF

The following is recommended for
ADTR67 tubs

- Tub wall-mounted faucets: **4022, 4025, or 4035**
- Double offset bath supplies: **Part# 5576**
- Leg tub drain: **Part# 5599**

Do not use with rigid, freestanding supplies

Gallon Capacity: 50
Shipping Weight: 150 lbs.
Empty Weight: 100 lbs.
Filled Weight: 518 lbs.

Features:

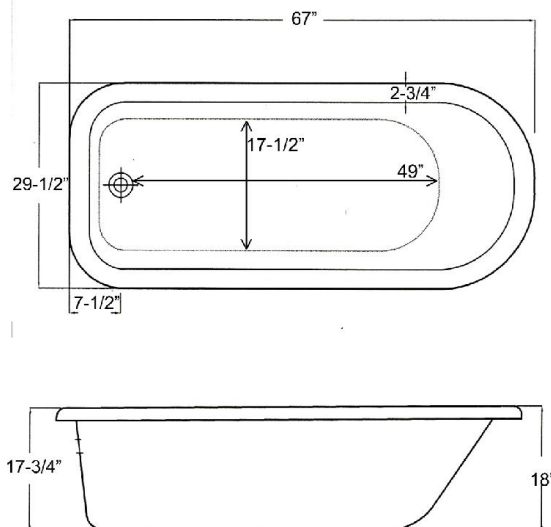
- ▶ Smooth white acrylic surface inside and out
- ▶ 3-3/8" centers in tub wall
- ▶ Pre-drilled overflow hole
- ▶ Continuous rolled rim
- ▶ Cast aluminum ball and claw feet
- ▶ Tubs ship with feet attached and leveled
- ▶ Tubs thoroughly inspected before shipment



Foot Finishes

BQ Bisque	BL Black
BP Polished Brass	CP Polished Chrome
BN Brushed Nickel	ORB Oil Rubbed Bronze
PN Polished Nickel	WH White

Custom Colors Available (inside of tub is always white enamel):
Painted bathtubs are considered "special order" and are not returnable
\$160 Bisque or Black \$250 Designer Color



Dimensions are nominal and specifications subject to change without notice.

TUB FILLER

Cat. No.
4050



L: 4-³/₄"
W: 5-¹/₂"
D: 3-¹/₄"

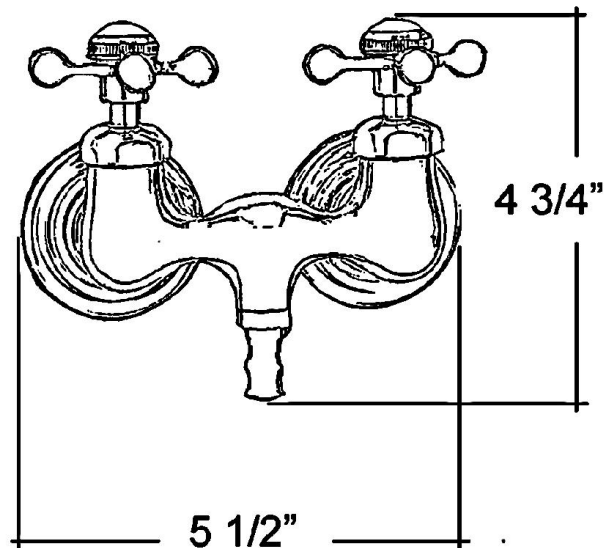
Features:

- ▶ Old Style Spigot
- ▶ Compression stems
- ▶ 3-³/₈" Centers for tub wall mount installation
- ▶ Ceramic hot and cold buttond
- ▶ ³/₄" Nipples
- ▶ Metl cross handles
- ▶ Flow rate is 3.84 GPM
- ▶ For use with double offset supplies **#5576**

Finishes:

CP Polished Chrome
BP Polished Brass

PN Polished Nickel
SN Brushed Nickel



Dimensions are nominal and may vary. Dimensions and specifications subject to change without notice.

DOUBLE OFFSET BATH SUPPLIES

Cat.No.
5576



H: 24"

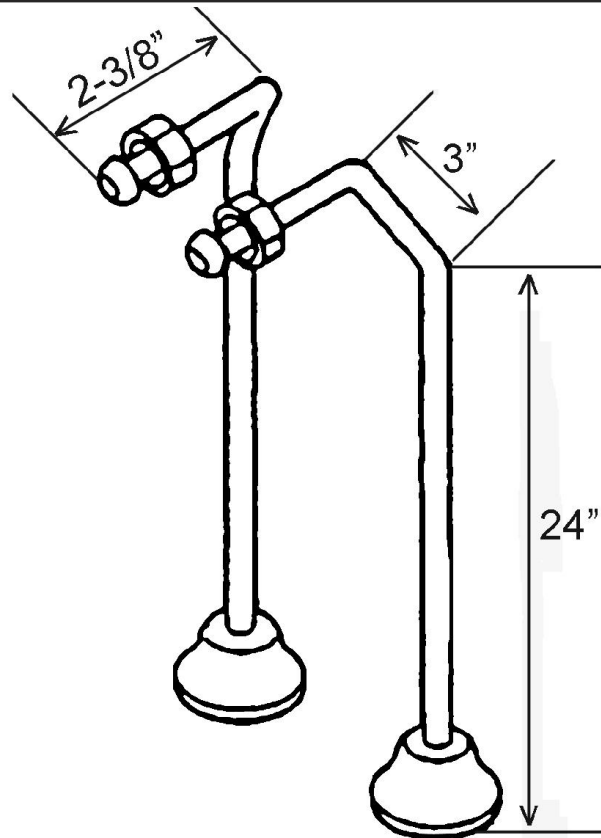
OD: 1/2"

Features:

- ▶ For use with faucets mounted to the tub wall
- ▶ No Stops
- ▶ 1/2" Compression inlet
- ▶ 3/4" Compression outlet
- ▶ 0.500" Outer diameter
- ▶ 0.440" Inner diameter
- ▶ 0.030" Thickness of the wall
- ▶ Available in 5 finishes

Finishes:

CP	Polished Chrome	PN	Polished Nickel
PB	Polished Brass	BN	Brushed Nickel
ORB	Oil Rubbed Bronze		



Use on concrete floors requires special installation. We recommend using a plumbing professional.

Dimensions and specifications subject to change without notice.

LEG TUB DRAIN

Cat. No.
5599



Escutcheon Height: 1-1/4"

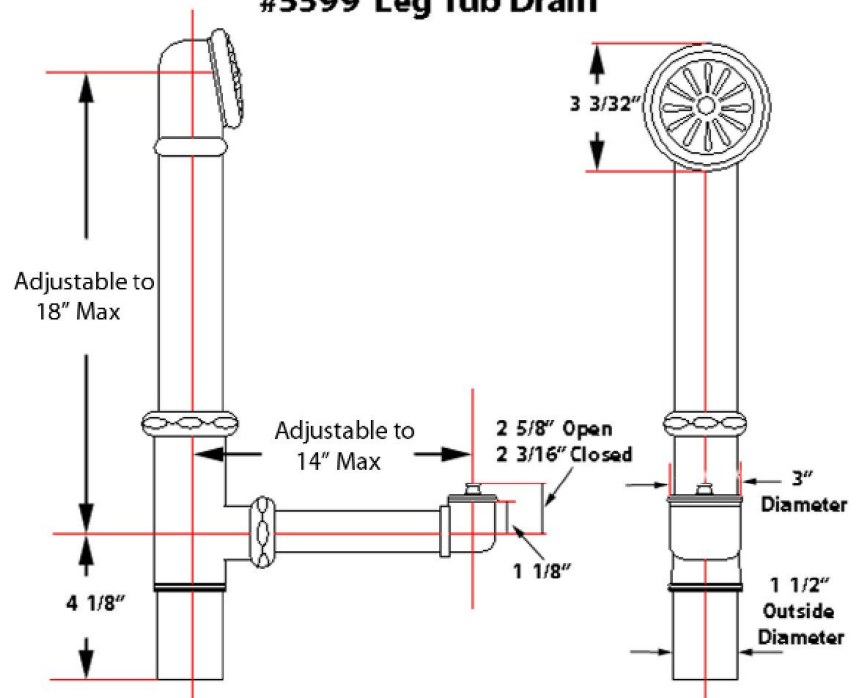
Features:

- ▶ Twist-and-lift stopper
- ▶ Includes deep escutcheon
- ▶ Height adjustable 15"-18"
- ▶ Depth adjustable 12"-14"
- ▶ Includes deep escutcheon
- ▶ Available in 5 Finishes

Finishes:

- CP Polished Chrome
- BP Polished Brass
- SN Brushed Nickel
- PN Polished Nickel
- ORB Oil Rubbed Bronze

#5599 Leg Tub Drain



Dimensions and specifications subject to change without notice.