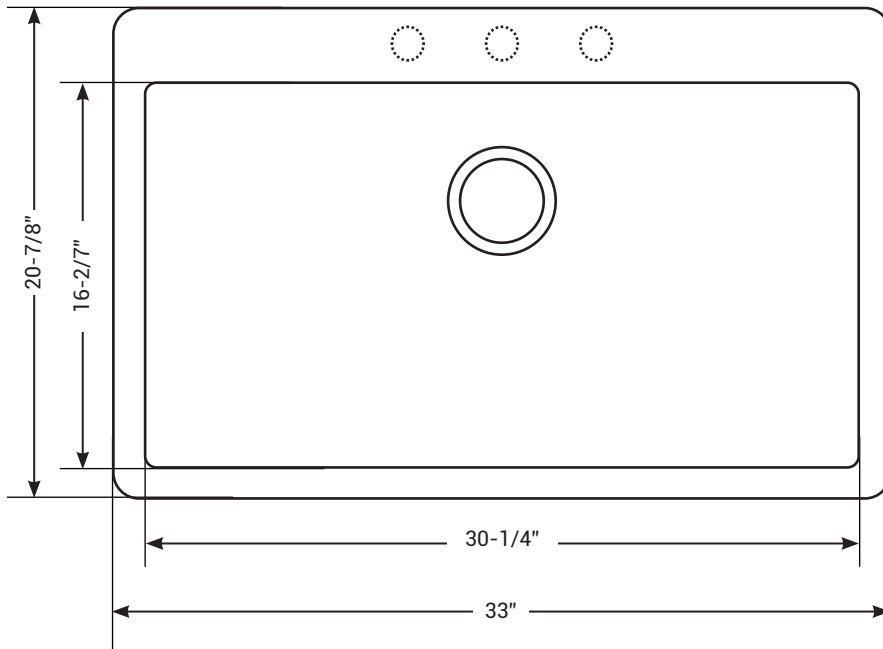
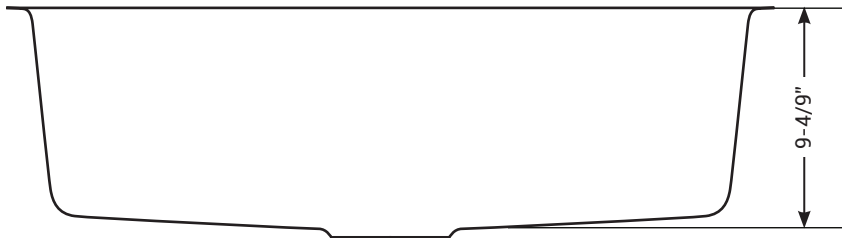
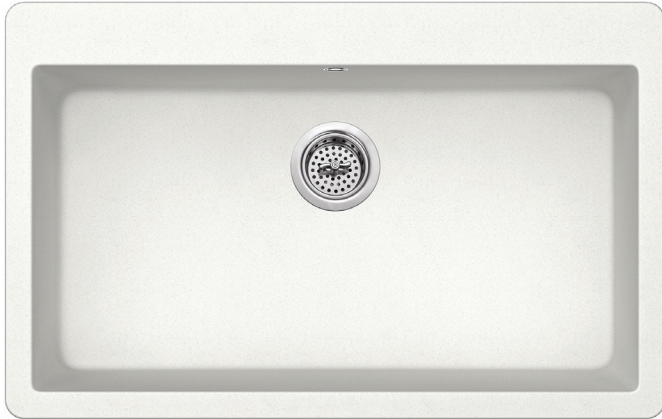


# 33 IN. SINGLE BOWL QUARTZ KITCHEN SINK

CA344SB33-A (Alpine White)



## FEATURES

MODEL	CA344SB33-A
SIZE	20-7/8" L x 33" W
BOWL(S)	16-2/7" L x 30-1/4" W
DEPTH	9-4/9"
WEIGHT	43 lbs.
MATERIAL	Engineered Quartz
DRAIN	Rear
MOUNT	Undermount or Drop-In

- Constructed of a patented combination of natural quartz stone and UV-stable acrylic resins
- Innovative anti-microbial technology creates a hygienic barrier against bacteria and prevents dirt and food particles from collecting
- Scratch proof, stain and fade resistant, impact resistant, and heat safe to 535F; Easily handles the weight of heavy pots and pans
- Includes drain assembly and mounting hardware
- Limited Lifetime Warranty

## BEFORE YOU BEGIN INSTALLATION

- Carefully Read the instructions before starting installation.
- This product should be installed by an experienced professional.
- Drain pipe is not supplied. Connect to an existing drain pipe.

**If you are missing any part, please stop and contact us immediately at (205) 702-9101.**

FOR WARRANTY ISSUES OR QUESTIONS, CONTACT CAHABA AT (205) 702-9101.

©2021 CAHABA. ALL RIGHTS RESERVED.

# 33 IN. SINGLE BOWL QUARTZ KITCHEN SINK

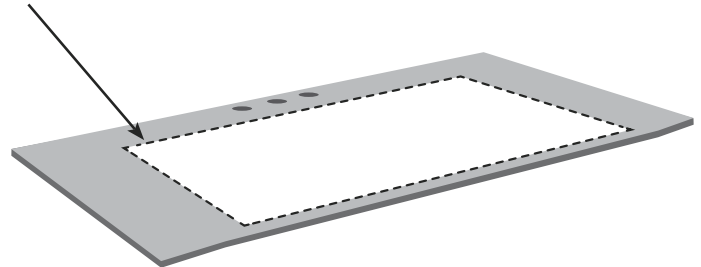
## Installation Instructions



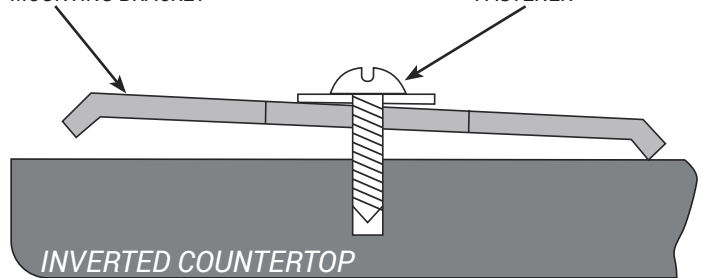
### PREPARE THE COUNTERTOP

1. Position the template (provided with your sink) front to rear so the sink will not interfere with the cabinet; secure with tape.
2. Trace the template and remove. Dry fit the sink to verify the measurements.
3. Following the countertop manufacturer's instructions, carefully cut the countertop on the inside of the traced line.
4. Locate and drill the mounting holes, following the countertop manufacturer's instructions. Holes should allow even spacing of mounting brackets around the sink.
5. With the countertop inverted (upside down), fasten the mounting

OUTLINE FOR UNDERMOUNT SINK CUTOUT



MOUNTING BRACKET FASTENER



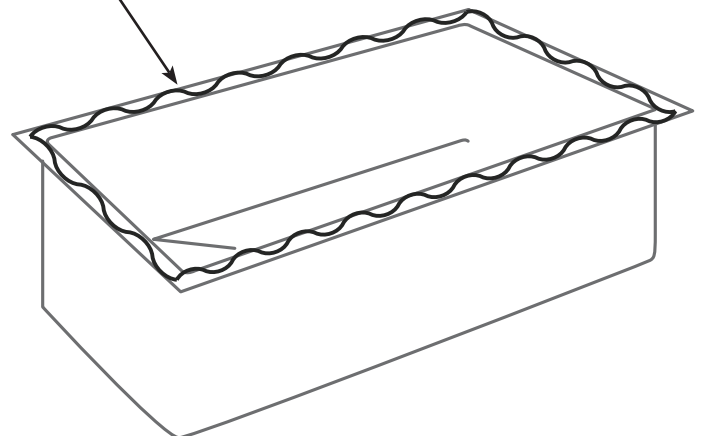
**IMPORTANT: The cabinet must be installed, secured, plumb, and level BEFORE installing the sink.**

**IMPORTANT: Cahaba undermount sinks should only be fastened to a solid surface countertop (i.e. granite, Corian® or Silestone®).**

### FOR UNDERMOUNT INSTALLATION

1. Clean the bottom of the countertop and the top flange (or lip) of the sink with denatured alcohol.
2. Apply a narrow bead of silicone adhesive sealant evenly all around the top of the sink flanges.
3. Position and align the sink over the countertop opening. Press silicone onto countertop.
4. Tighten fasteners until mounting brackets are snug against sink. Check alignment of sink to the countertop opening.
5. Tighten down fasteners evenly. Be careful not to over-tighten.
6. Immediately remove excess sealant.

APPLY SILICONE SEALANT AFTER CLEANING THE SINK EDGE AND COUNTERTOP



# 33 IN. SINGLE BOWL QUARTZ KITCHEN SINK

## Installation Instructions



### UNDERMOUNT INSTALLATION (CONT)

**IMPORTANT: The enclosed cutout template will create a countertop opening with a minimal (1/8" or less) reveal. It is recommended that you discuss this with your installer and agree that this finished appearance is the desired effect. Cahaba is not responsible for improper sink or countertop installations.**

**IMPORTANT: Cahaba is not responsible for sink or countertop if damaged during installation. Be sure to inspect the sink for damage prior to beginning installation.**

### DROP-IN INSTALLATION

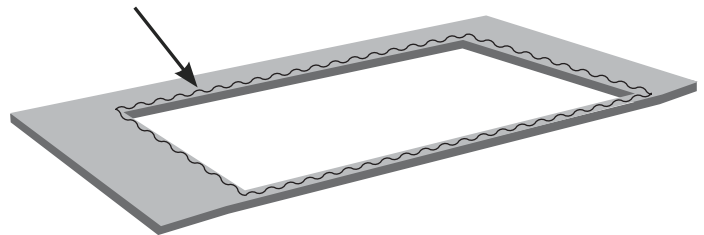
1. Punch out faucet holes. Faucet holes can be identified by the faucet hole emboss on the underside of the sink and the corresponding yellow labels located on the top surface.

Before punching the holes please verify that the circular labels are properly centered over the faucet emboss.

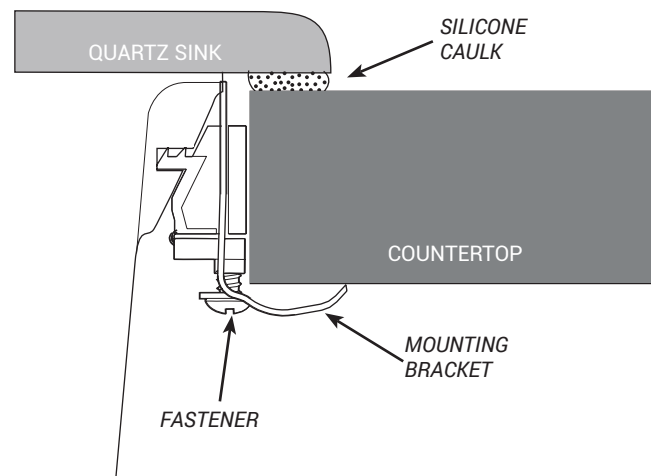
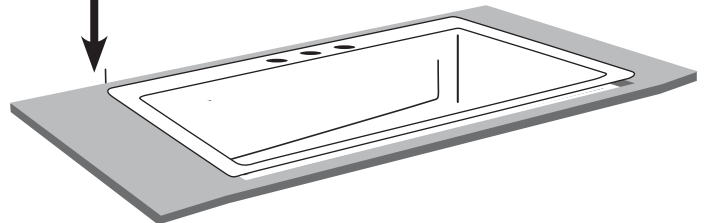
The faucet hole should be carefully penetrated FROM ABOVE THE SINK using chisel or screw driver and tapping lightly on the circular labels. If necessary the hole can be enlarged using a metal hole saw, a jigsaw with a metal cutting blade.

2. Apply a narrow bead of silicone adhesive sealant evenly all around the top edge of the countertop. CAUTION: DO NOT USE EPOXY TO SEAL SINK.
3. Position and align the sink over the countertop opening. Carefully lower the sink into the cutout in the countertop. Press silicone onto countertop.
4. From the underside - place the clamp in the center along each side and hand tighten to hold sink in place. Fasten the remaining clamps along the edges and space them approximately 3 in. from each end, and equally along the front, back and sides. For countertops thicker than 3/4 in., space them up to 1-1/2 in. apart.
5. Tighten fasteners until mounting brackets are snug against sink. Check alignment of sink to the countertop opening. Tighten down fasteners evenly. Be careful not to over-tighten.
6. Immediately remove excess sealant.

APPLY SILICONE SEALANT AFTER CLEANING THE SINK EDGE AND COUNTERTOP



CAREFULLY LOWER THE SINK INTO THE CUTOUT ON THE COUNTERTOP



# 33 IN. SINGLE BOWL QUARTZ KITCHEN SINK

Care & Maintenance



---

## RECOMMENDED CLEANERS

---

For most dirt and stains: Wipe with a damp cotton cloth/sponge and soapy water. Towel dry with a cotton cloth. It is recommended that you clean your sink prior to first use.

For stubborn stains and water marks: Wipe with a Mr. Clean® Magic Eraser® and either water or a 50/50 white vinegar and water solution. Towel dry with a cotton cloth.

For difficult stains: Use a 3M Scotch-Brite™ Heavy Duty Scour Pad with either water, 50/50 white vinegar and water solution or non-abrasive cleaner. Start cleaning in a circular motion with a constant pressure over the area of the stain, rinse thoroughly with water and dry with a cotton cloth. Let dry 5-10 minutes. If stain persists, repeat

---

## CAUTION

---

- Avoid exposing your sink to strong chemicals, such as paint removers, oven cleaners, etc. If contact occurs, quickly flush the surface with water. Do not use straight or undiluted bleach solution.
- Do not use any abrasive cleaning products, scouring pads or steel wool.
- Do not use caustic solutions containing ammonia or alkalis. Examples include certain bath and drain cleaner products.
- Do not place hot pots or other hot items directly onto the sinks surface. Let them cool completely before placing them on the sinks surface.
- Do not use the sink as a cutting board. While quartz is incredibly durable, sharp knives may cut into the surface.

# 33 IN. SINGLE BOWL QUARTZ KITCHEN SINK

## Limited Lifetime Warranty



This product has been manufactured and tested to the highest quality standards by Cahaba. We offer our customers thoughtfully crafted fixtures & accessories, engineered for enduring performance over years of use.

### WHO IS COVERED BY THE WARRANTY

---

This warranty extends to the original purchaser only. This warranty is not transferable, between homes or owners and is only applicable to residential use.

### WHAT IS COVERED BY THE WARRANTY

---

Cahaba warrants this product against defects due to material or craftsmanship error during the warranty period: Cahaba will provide replacement parts at no charge, or at its option, replace any product or part of the product that is deemed defective, under normal installation, use, service and maintenance. If Cahaba is unable to provide a replacement and repair is not practical or cannot be made in timely fashion, Cahaba may elect to refund the purchase price in exchange for the return of the product.

### CONDITIONS AND EXCLUSIONS

---

Like other home fixtures, Cahaba products will require light maintenance to ensure proper function. We provide you with complete knowledge to perform this maintenance and can also recommend resources if you are unable to fulfill this service.

- Cahaba will not be responsible for product failures due to lack of maintenance or proper use. Please read your care and maintenance documentation to determine the limits of proper use.
- The original sales receipt, order number, and/or proof of purchase must be presented at the time of the warranty claim, without exception, for this warranty to be applied to all Cahaba products.
- Cahaba recommends installing all Cahaba products with a licensed, professional plumber. Cahaba will not be held responsible for any damage or product failure due to improper installation, misuse, or failure to use a licensed professional. Please read your care and maintenance documentation to determine the limits of proper use.
- Commercial use will automatically void this warranty.

### NON-APPLICABILITY OF THIS WARRANTY

---

By the purchase and use of our products, you agree that Cahaba is not liable for incidental, consequential or special damages associated with the return, replacement, installation or use of your product. This includes freight costs, cartridge replacement, labor, travel time, lost profit, home damages and other contingent liabilities and costs (including, without limitation, costs associated with experts, investigations, analyses, attorneys and other professionals and services).

The Cahaba warranty is a comprehensive and explicit limit of liability and all items outside of it are not addressable by or the responsibility of Cahaba. Certain states have variances regarding implied warranties and in those situations we remain fully compliant. Cahaba makes no implication that products comply with any or all local building or plumbing codes. It is the consumer's responsibility to determine local code compliance. This warranty extends to the original purchaser and first consumer.