

**WEISS 65-1/2 IN. FREESTANDING MINERAL COMPOSITE TUB**  
**CAFTWEI66 (White Pop-Up & Overflow)**



**FEATURES**

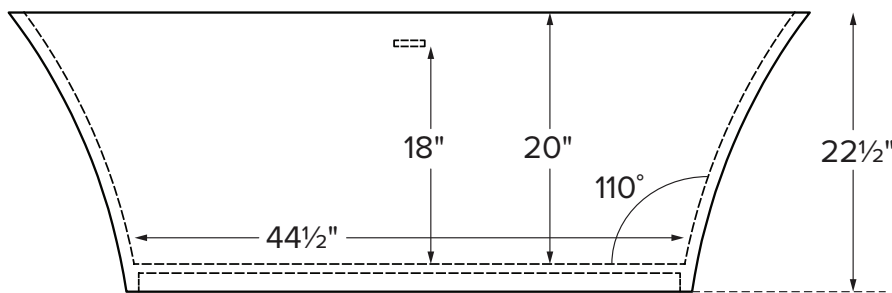
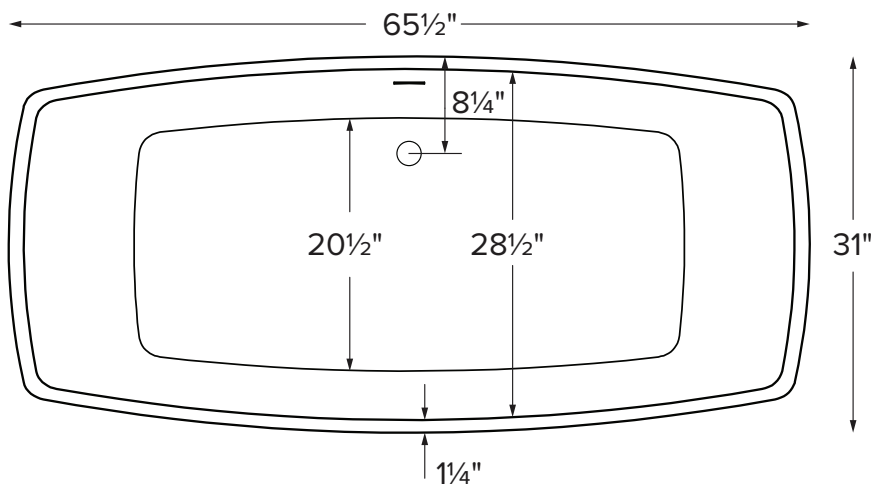
<b>MODEL</b>	CAFTWEI66
<b>SIZE</b>	65-1/2"L x 31"W x 22-1/2" H
<b>DEPTH</b>	18" Soaking Depth
<b>CAPACITY</b>	80 gal. Capacity
<b>WEIGHT</b>	159 lbs Empty
<b>MATERIAL</b>	Mineral Composite
<b>DRAIN</b>	Center, Included

- Constructed of natural minerals mined in the USA and bound together by a high-grade casting resin
- Glossy white finish
- Soaking depth of 18 in. with a 80 gal. capacity
- Includes white integrated slotted overflow with matching toe-tap drain
- Made in the USA
- Limited 10-year residential warranty

**BEFORE YOU BEGIN INSTALLATION**

- **Drawings are for reference ONLY.**
- Carefully Read the instructions before starting installation.
- This product should be installed by a licensed professional plumber.
- Make sure the floor is finished and level before installation.
- Drain trap is not supplied

**If you are missing any part, please stop and contact us immediately at (205) 702-9101.**



## INSTALLATION - WITH ACCESS FROM BELOW

1. Adhere tub to the finished, level floor using clear silicone. Make sure that tub is precisely located where desired and that the hole in the floor for the drain aligns with the drain.
2. Install drain on tub using clear silicone under waste flange and on both sides of the rubber gasket on underside of the tub. Cahaba recommends using a small amount of clear silicone on the threads of the PVC drain fitting to act as a thread sealant.

Tighten until it seals, plus one quarter turn. Finish installation from below by connecting PVC drain fitting to P-trap using PVC cement.

3. Allow time for silicone to cure and water test for leaks. Many products are ready to test in as little as 30 minutes. Please refer to product label for details.

**NOTE: Failure to check floor for flat & level surface, or properly water test the tub & drain, which could result in improper drainage of the bath, is the responsibility of the installer.**

## INSTALLATION - NO ACCESS FROM BELOW

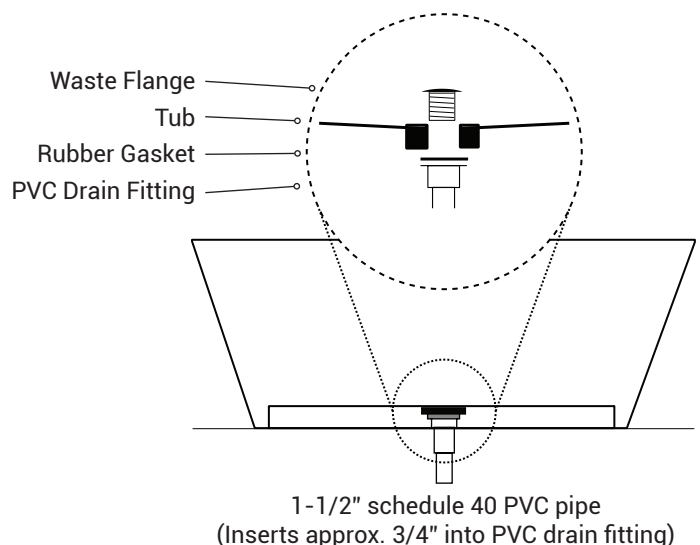
1. Stub out drain and P-trap with 1 1/2 schedule 40 PVC pipe at least 1" above finished floor. Because the height will vary slightly from tub to tub, box out around the pipe to allow trimming this pipe below grade upon installing the Cahaba supplied fitting. The fitting is approximately 3" in diameter.
2. Determine gap between underside of tub (at drain) and the floor. Shorten 1 1/2 inch pipe to allow the supplied fitting and gasket height above the finished floor to match this gap.

Glue fitting to pipe with PVC cement, again making sure the final height matches the gap (remember to allow for the thickness of the rubber gasket). Make sure that the top of the flange is level.

3. Use clear silicone to hold rubber gasket on top of flange. Apply another bead of silicone on top of gasket. Put a small amount of silicone in the top threads of PVC drain fitting to act as a thread sealant. Adhere tub to the finished floor using clear silicone. Immediately wipe off any excess silicone that may be on the floor or exterior of the tub. Make sure that the drain hole, gasket and flange align so that the waste flange can be threaded in from inside the tub.

4. Place a small bead of silicone under waste flange and thread into PVC drain fitting. Tighten until it seats plus one quarter turn.
5. Allow time for silicone and water test for leaks. Many products are ready to test in as little as 30 minutes. Please refer to product label for details.

**NOTE: Failure to check floor for flat & level surface, or properly water test the tub & drain, which could result in improper drainage of the bath, is the responsibility of the installer.**





The mineral composite surface of Cahaba freestanding baths is among the glossiest, highest quality surfaces available. Its hard, non-porous surface prevents dirt from accumulating and resists stains better than other materials. With normal use, your bath will retain its beauty with only a minimal amount of care. To maintain the high gloss, elegant look of the mineral composite (MC) surface, follow these simple steps:

### WHEN CLEANING

- Remove dust and dry dirt with a soft, damp cloth.
- Apply common household, non-abrasive cleaner in accordance with manufacturer's directions and precautions. (i.e., a mild dishwashing detergent such as Ivory Liquid). Do not use unless the product label specifically states that it is safe for acrylic or plastic.
- Rinse well and dry with a soft, clean cloth. Scouring pads will deteriorate the finish.
- Never use any type of "scrubbing bubbles" or aerosol spray cleaners on your product.
- Harsh chemicals, such as bleach and ammonia, will deteriorate the finish.
- Never use abrasive cleansers. If any product feels gritty when rubbed between your fingers, do not use on the product or system controls as permanent damage will occur.

### GENERAL CARE

- Do not allow your mineral composite surface to come into contact with nail polish, nail polish remover, Wintergreen oil, dry cleaning solution, lacquer thinners, gasoline, pine oil, etc.
- Avoid using razor blades or other sharp objects that might scratch the surface.
- Cahaba strongly recommends a professional surface repair person for deep scratches, chips or gouges.
- Damage occurring to the unit during installation is the responsibility of the installer, and after installation, the responsibility of the user.

### CAUTION

Check cleaning and bathing product labels. Do not use unless the product label specifically states that it is safe for acrylic or plastic.



---

## WHO IS COVERED BY THE WARRANTY

---

This warranty extends to the original purchaser only. This warranty is not transferable, between homes or owners and is only applicable to residential use.

---

## WHAT IS COVERED BY THE WARRANTY

---

Cahaba warrants our bathtubs to be free from defects in workmanship and materials under normal use and service for a period of 10 years.

- Cahaba warrants the mineral composite surface against blistering or cracking and chipping resulting from a defect in the mineral composite surface material when used under normal conditions and service for a period of ten years from the date of purchase.
- Cahaba warrants your satisfaction with each bathtub. Should any bathtub not meet your satisfaction due to a visual defect, simply return it to your retailer with the original packaging, PRIOR TO INSTALLATION, for a replacement.
- Cahaba will, at its election, repair, replace, or make appropriate adjustment where the Cahaba optional inspection discloses any such defects occurring in normal usage within the warranty periods. Please note that Cahaba is not responsible for installation or removal costs.
- Modification of any bath enclosure components may void the warranty. This warranty does not cover any claim arising from abuse, misuse, negligence, accident, improper installation or operations on the part of the purchaser. This warranty is void if the Cahaba product is subject to alterations, or if repairs were done to the bath unit.
- This warranty does not extend to any additional plumbing or components installed by dealers or installers.
- Implied warranties, including that of merchantability or fitness for a particular purpose, are expressly limited in duration to the duration of this warranty.

---

## CONDITIONS AND EXCLUSIONS

---

Like other home fixtures, Cahaba products will require light maintenance to ensure proper function. We provide you with complete knowledge to perform this maintenance and can also recommend resources if you are unable to fulfill this service.

- Cahaba will not be responsible for product failures due to lack of maintenance or proper use. Please read your care and maintenance documentation to determine the limits of proper use.
- The original sales receipt, order number, and/or proof of purchase must be presented at the time of the warranty claim, without exception, for this warranty to be applied to all Cahaba products.
- Cahaba recommends installing all Cahaba products with a licensed, professional plumber. Cahaba will not be held responsible for any damage or product failure due to improper installation, misuse, or failure to use a licensed professional. Please read your care and maintenance documentation to determine the limits of proper use.
- Commercial use will automatically void this warranty.

---

## NON-APPLICABILITY OF THIS WARRANTY

---

By the purchase and use of our products, you agree that Cahaba is not liable for incidental, consequential or special damages associated with the return, replacement, installation or use of your product. This includes freight costs, cartridge replacement, labor, travel time, lost profit, home damages and other contingent liabilities and costs (including, without limitation, costs associated with experts, investigations, analyses, attorneys and other professionals and services).

The Cahaba warranty is a comprehensive and explicit limit of liability and all items outside of it are not addressable by or the responsibility of Cahaba. Certain states have variances regarding implied warranties and in those situations we remain fully compliant. Cahaba makes no implication that products comply with any or all local building or plumbing codes. It is the consumer's responsibility to determine local code compliance. This warranty extends to the original purchaser and first consumer.