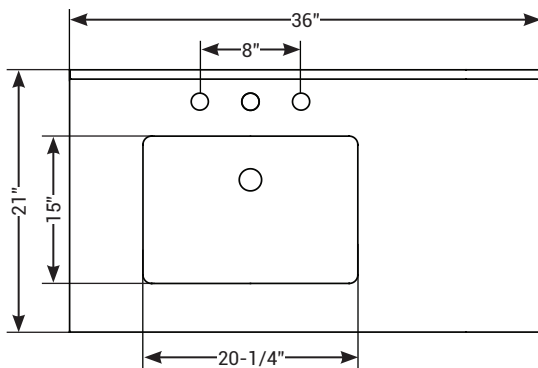
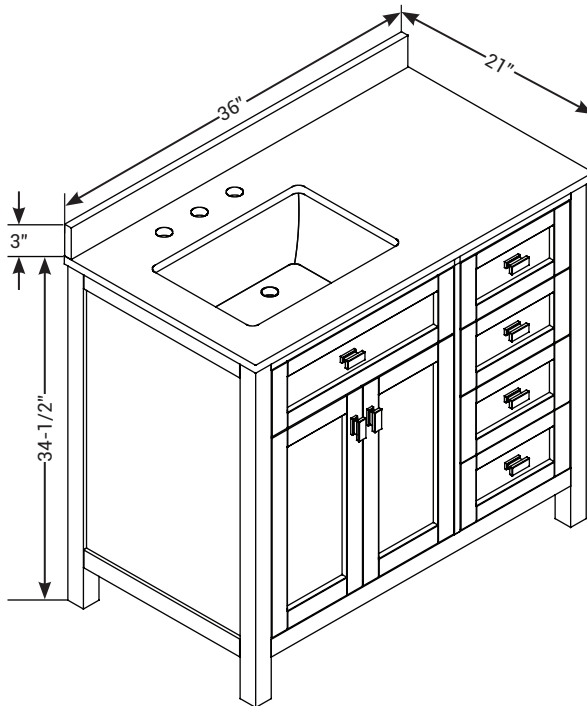


JUNIPER 36 IN. VANITY

CAVJUN36MJ (Mint Julep)



FEATURES

MODEL	CAVJUN36MJ
SIZE	21" L x 36" W x 34-1/2" H
BASIN	15" L x 20-1/4" W x 7-1/5"D
VANITY TOP	3/4" thickness
FAUCET	8 in. Spread
OVERFLOW	Included
DRAIN	Rear
WEIGHT	174.2 lbs.
HARDWARE	1 set Brushed Gold 1 set Brushed Nickel
MATERIAL	Wood; engineered stone
INSTALL	Freestanding

- Mint Julep cabinet with two sets of hardware in brushed gold & brushed nickel
- Made from wood; engineered stone top & ceramic basin
- Pre-drilled holes for 8 in. faucet; Faucet not included
- Cabinet features 2 soft-closing doors, 1 flip-down drawer, 1 deep and 2 regular soft-closing drawers, 1 power bar with slide out shelf, 1 hair dryer holder, drawer dividers; matching 3 in. backsplash
- Coordinating sidesplash (CASSJUN20) sold separately.

BEFORE YOU BEGIN INSTALLATION

- Carefully Read the instructions before starting installation.
- This product should be installed by an experienced professional.

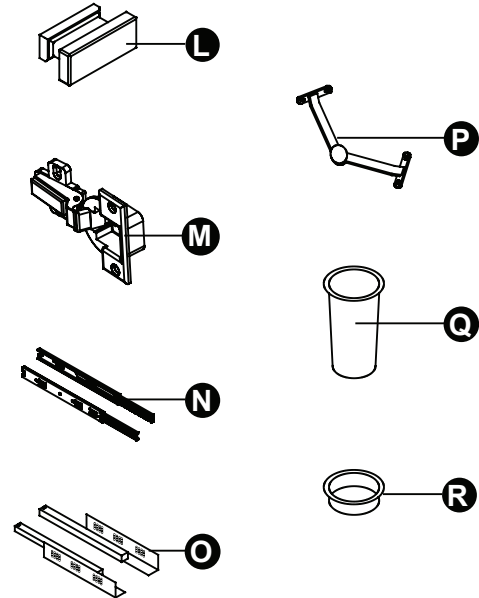
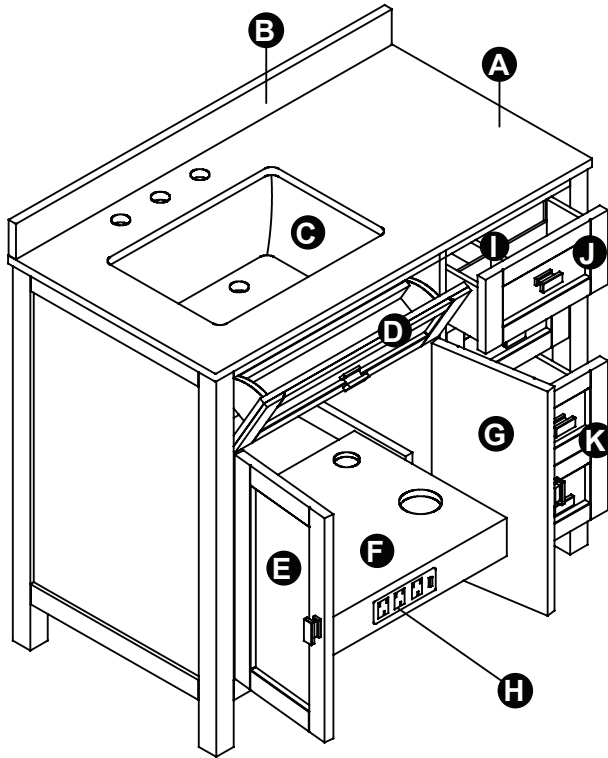
If you are missing any part, please stop and contact us immediately at (205) 702-9101.

FOR WARRANTY ISSUES OR QUESTIONS, CONTACT CAHABA AT (205) 702-9101.

©2021 CAHABA. ALL RIGHTS RESERVED.

JUNIPER 36 IN. VANITY

Parts



PART NO.	DESCRIPTION	QUANTITY
A	Countertop	1
B	Backsplash	1
C	Basin	1
D	Tilt-down drawer	1
E	Door (left)	1
F	Pull-out tray	1
G	Door (right)	1
H	Power bar	1
I	Drawer divider set	2

PART NO.	DESCRIPTION	QUANTITY
J	Drawer	2
K	Double depth drawer	1
L	Knob	7 x 7
M	Hinge	6
N	Drawer glides	1
O	Drawer glides	3
P	Butterfly hinge	1
Q	Curling iron holder	1
R	Hair dryer holder	1

FOR WARRANTY ISSUES OR QUESTIONS, CONTACT CAHABA AT (205) 702-9101.

©2021 CAHABA. ALL RIGHTS RESERVED.

JUNIPER 36 IN. VANITY

Installation Instructions



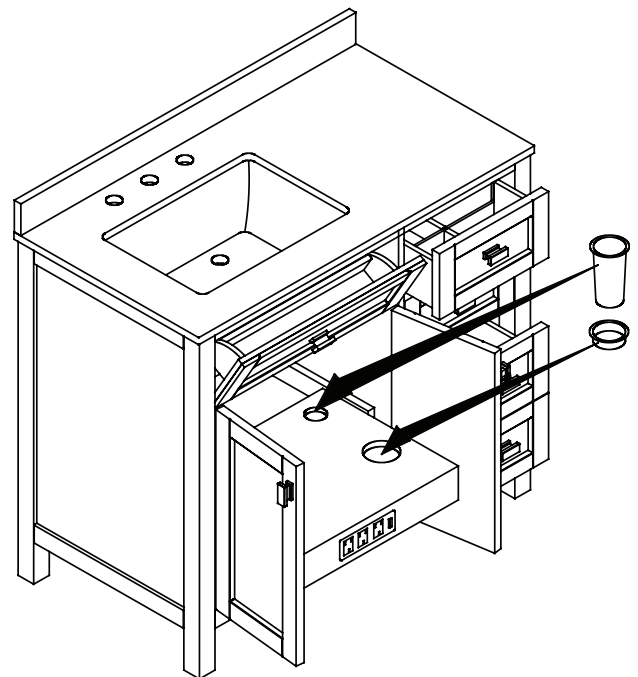
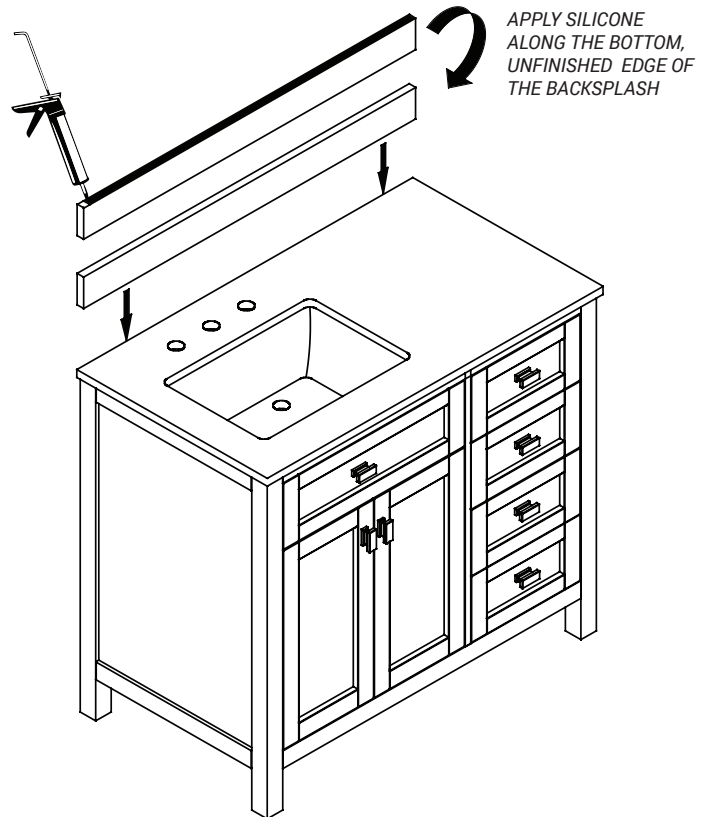
PREPARE THE VANITY

Vanity arrives pre-assembled, complete with pre-drilled vanity top ready for the installation of your favorite faucet (faucet not included).

1. Hardware may be pre-attached to the inside drawers and/or doors. Carefully remove and reinstall the hardware as shown.
2. Position the vanity in your desired location.
3. Clean the surface of the vanity and backsplash.
4. Apply a thin line of silicone along the unfinished edge of the backsplash. Set the backsplash in place.
5. Carefully set the backsplash in place. Immediately remove any excess silicone.

NOTE: Allow the silicone to dry for a full 24 hours.

6. Place the curling iron and hair dryer holders as shown.



JUNIPER 36 IN. VANITY

Installation Instructions



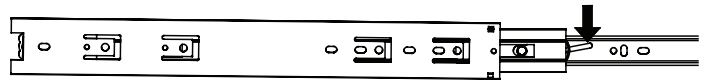
REMOVING & INSTALLING SLIDE-OUT SHELF

The slide out shelf is pre-installed in the vanity. Should you need to remove it for any reason, refer to the following instructions.

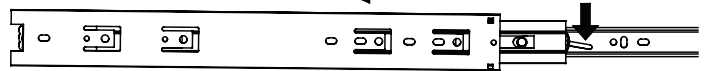
1. Extend the slide-out self to its full length.
2. Locate the toggle at the very back of the slide, in the channel and press it down. This will release the main slide mechanism.
3. Hold the toggle down and carefully pull out the shelf until it is free from the vanity.

NOTE: To reinstall the slide-out shelf, align the slide mechanism with the track and gently push the shelf into place within the cabinet.

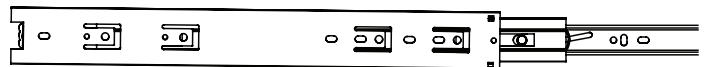
*PRESS TOGGLE DOWN TO
RELEASE SLIDE MECHANISM.*



*SLIDE THE SHELF OUT WHILE
HOLDING DOWN THE TOGGLE.*



*TO RE-INSTALL, LINE THE SLIDE MECHANISM
WITH THE TRACK AND PUSH INTO PLACE.*



JUNIPER 36 IN. VANITY

Care & Maintenance



Stone countertops (Granite, Marble, etc.) are surprisingly resilient to stains and scratches. However, as a preventative measure, any spills on the stone surfaces should be wiped up within a reasonable amount of time. Don't let liquid sit on the stone overnight. Stones are most prone to staining by oil and acid, so be sure to blot these spills up as soon as they happen. Follow up by cleaning the stone with a mild non-abrasive soap and water. In bathrooms specifically, stone tends to attract soap scum, just like man-made tile. Rinse vanity top with clean, hot water frequently.

The use of sealers is also a powerful preventative measure. Your stone was sealed at the factory, but reapplication is necessary over time. How often is determined by the quality of the sealer used, and the frequency of use. We recommend using a penetrating non-toxic sealer for bath areas, but a food-safe sealer is typically not necessary.

If stains and scratches do occur, there are many things you can do as a consumer to remove them. Remove oil based stains with acetone, mineral spirits, or ammonia. Organic stains like coffee, tea, or juice can be removed with hydrogen peroxide, mixed with a few drops of ammonia.

Water spots or rings are the most common problem with bath vanities, and are caused by minerals left behind when water evaporates. These can be removed by buffing the spots gently with 00 gauge steel wool. Likewise, small nicks and scratches can often be removed the same way. Larger scratches, chips, and resilient stains may require professional help. Please contact your local stonemason for details.

DO'S & DON'TS

- DO use preventative cleaning measures to keep your stone pristine.
- DO use sealers, applied according to the product specific directions.
- DO blot spills quickly, and wash with mild soap and warm water.
- DON'T use harsh bathroom cleaners or grout cleaners on any natural stone.
- DON'T worry if you get a significant stain or scratch that your stone investment is ruined. Virtually anything can be fixed with professional help.

JUNIPER 36 IN. VANITY

Limited 1-Year Warranty



This warranty applies to CAHABA vanities installed for commercial and residential use.

CAHABA warrants that, when installed in accordance with the Recognized Plumbing Industry Practice, the vanities are free of manufacturing defects for a period of one (1) year from the date of purchase.

We guarantee your satisfaction with each vanity. Should any vanity not meet your satisfaction due to a visual defect, simply return it to your retailer with the original packaging, PRIOR TO INSTALLATION, for a replacement.

This warranty applies only to the original purchaser and installation site and is not transferable.

INFORMATION ABOUT YOUR WARRANTY COVERAGE

This warranty does not cover damages or failure attributable to:

- Vanities installed with obvious visual defects.
- Defects or damages to vanities caused by installation that does not comply strictly with the instructions set forth in CAHABA's installation manual.
- Defects or damage to vanities caused by severe accidents (e.g., fire, impacts).
- Damage caused by flooding or standing water from leaking pipes, faucets, household appliances, etc; up to and including flooding and any damage caused by acts of God.

FOR WARRANTY SERVICE

To make a claim, contact CAHABA no later than 30 days following the date of discovery or detection of defect.

Proof of purchase, such as the bill of sale is mandatory when requesting warranty service.

CAHABA reserves the right to designate a representative to inspect the vanity for analysis.

No unauthorized person, installer, dealer, agent or employee of CAHABA or any representative is entitled to assume any liability on behalf of CAHABA relating to the sale of this product or has the authority to increase or alter the obligations or limitations of this warranty.

THE SOLE REMEDY PROVIDED BY THIS WARRANTY IS THE REPAIR OR REPLACEMENT OF DEFECTIVE PRODUCTS.

THIS WARRANTY DOES NOT COVER THE COST OF REMOVAL OR INSTALLATION OF NEW PRODUCTS. THE WARRANTY WILL BE VOID IF THIS ITEM IS INSTALLED WITH OBVIOUS VISUAL DEFECTS.