



California Faucets®

CHRISTOPHERGRUBB Collection

Trousdale™

Single Hole Floor Mount tub Filler with Handshower

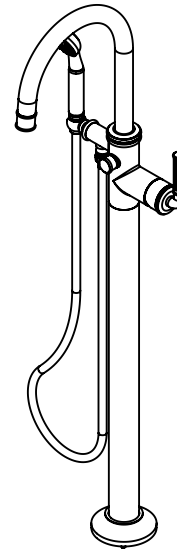
Features

- Available in 28 finishes including 13 PVD finishes
- All brass construction
- No additional wall or trap stabilizer kit required
- Tub filler maximum flow rate: 10 gpm (37 L/min) at 60 psi
- Handshower flow rate: 2.0 gpm (7.6 L/min) or 1.8 gpm (6.8 L/min)
- Ceramic mixing cartridge
- Handshower holder may be adjusted forward during installation
- Rough valve sold separately (9511)

Codes/Standards

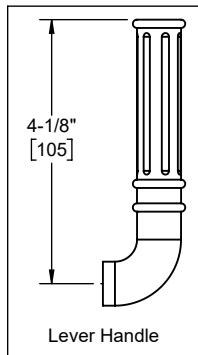
Product meets or exceeds the following:

- ASME A112.18.1/CSA B125.1
- CEC (1.8 gpm) / DOE (2.0 & 1.8 gpm)
- Commonwealth of MA
- EPA WaterSense Handshower (2.0 gpm)
- ADA compliant (lever handles only)
- Local codes may require installation of an upstream tempering valve

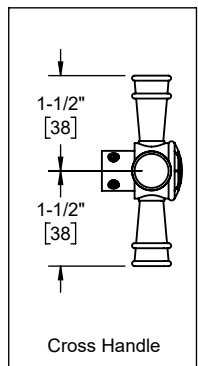


C108-ETS.FR shown

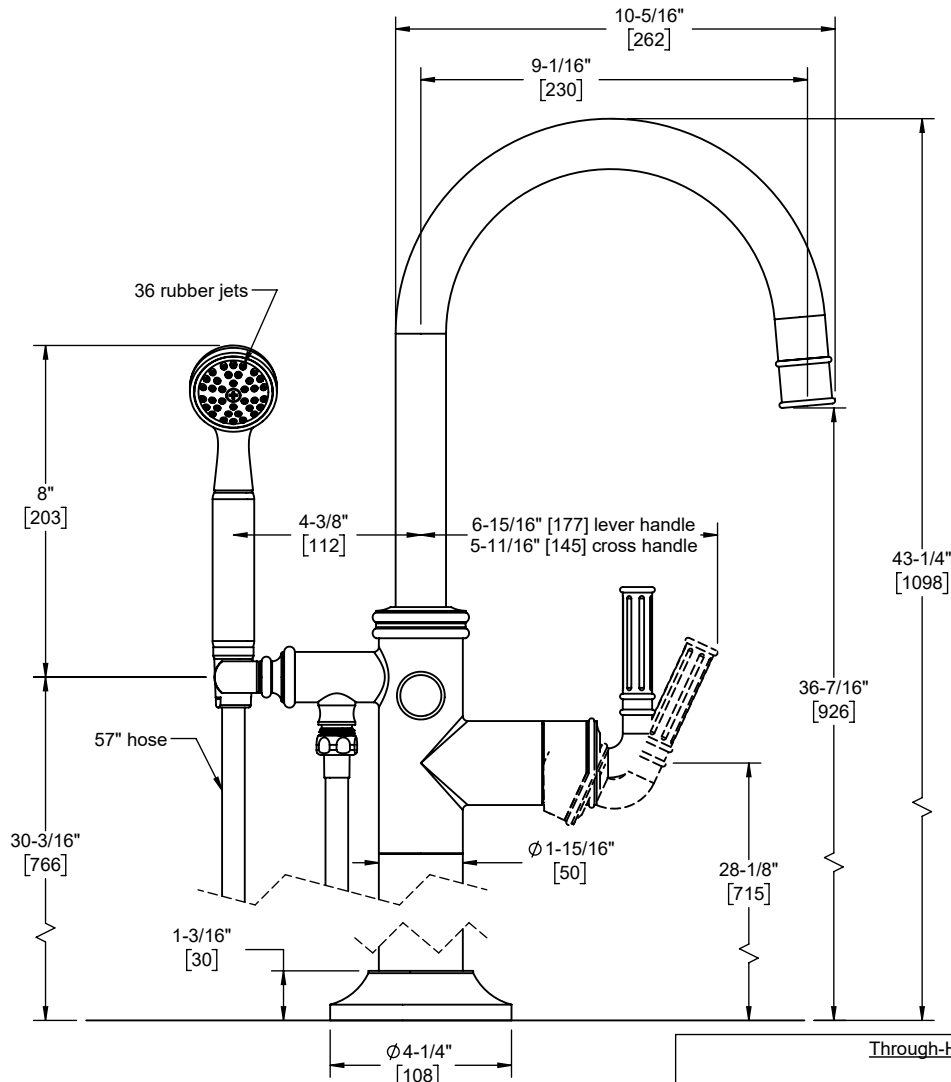
C108-ETS.18
C108-ETS.20
C108X-ETS.18
C108X-ETS.20
C108XS-ETS.18
C108XS-ETS.20



Lever Handle



Cross Handle



Through-Hole Specifications			
Mounting	Min	Recommended	Max
Flange: Ø	3-11/16" [94]	3-11/16" [94]	Ø 3-15/16" [100]

Dimensions are inches, rounded to 1/16"
 [Dimensions in brackets are mm, rounded to 1mm]

Specifications subject to change without notice