

California Faucets®

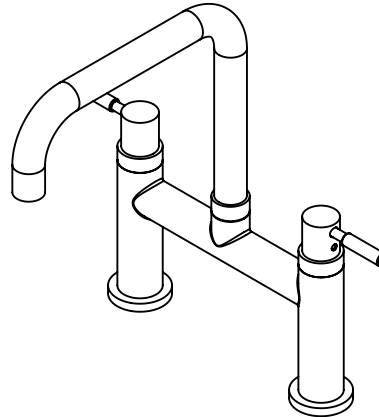
Corsano®

Bridge Kitchen Faucet

Features

- 25+ artisanal finishes including 12 PVD finishes
- All brass construction
- Spout rotates 360°
- 2-hole deck mount installation
- Flexible braided hoses for ease of installation
- 1/4 turn ceramic disc cartridge(s)
- 1.8 gpm (6.8 L/min) max flow rate

K51-123-XX



K51-123-62-ZZ shown

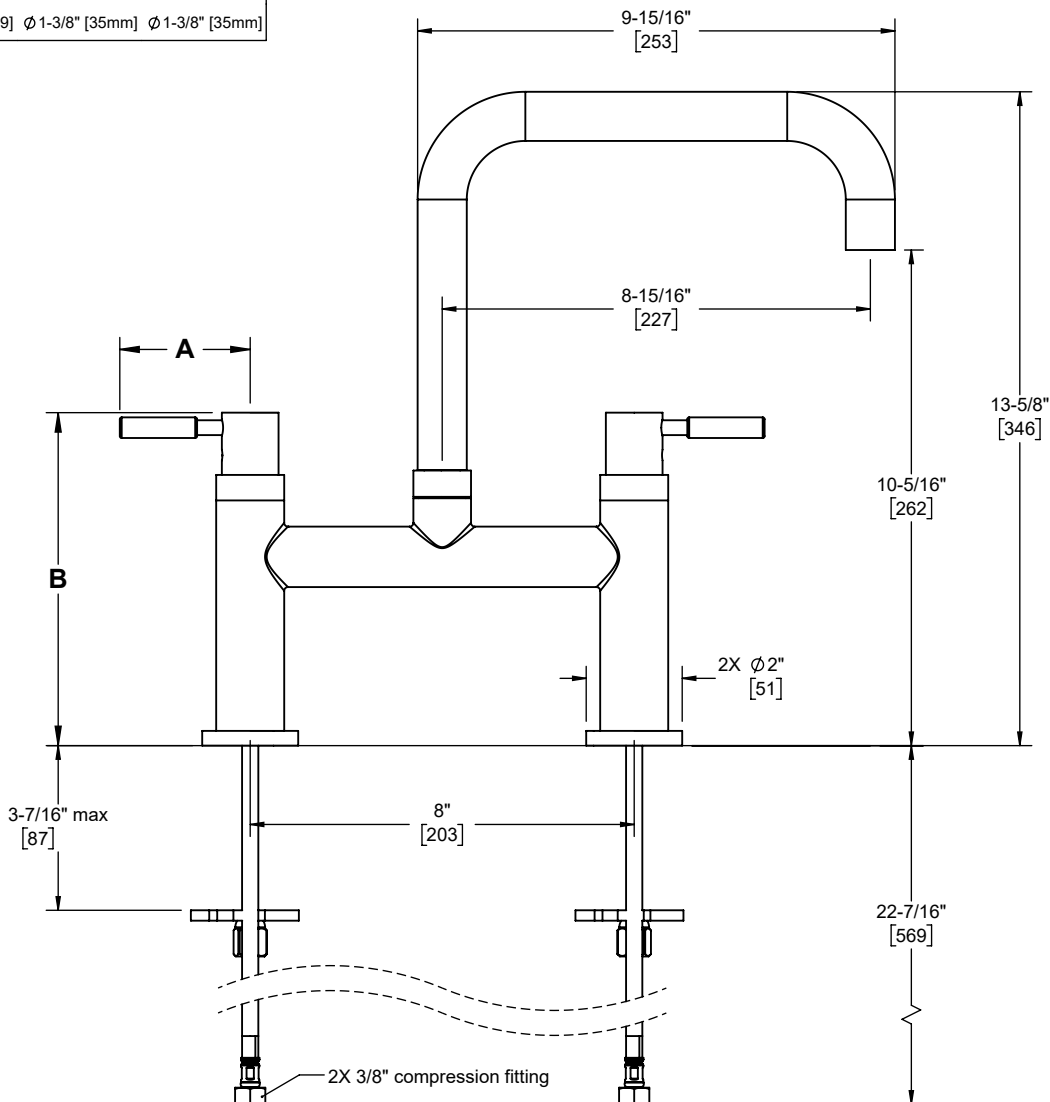
Codes/Standards Applicable

Product meets or exceeds the following:

- ASME A112.18.1/CSA B125.1
- NSF 61, NSF 372, CEC & DOE
- Commonwealth of MA
- ADA compliant (with lever handles)



Through-Hole Specifications		
Min	Recommended	Max
Faucet: \varnothing 1-1/8" [29] \varnothing 1-3/8" [35mm] \varnothing 1-3/8" [35mm]		



Handle Style	A	B
45	3" [76]	6-11/16" [169]
45X	1-3/8" [35]	6-9/16" [167]
52	2-3/4" [69]	7-1/16" [179]
52B	2-3/4" [69]	7-1/16" [179]
62	2-11/16" [69]	6-15/16" [177]
62B	2-11/16" [69]	6-15/16" [177]
65	1-3/8" [36]	6-13/16" [173]
66	2-5/8" [66]	6-15/16" [177]
74	3" [76]	7-1/8" [181]
E3	2-3/4" [70]	6-13/16" [173]
E3B	2-3/4" [70]	6-13/16" [173]
E3RB	3" [76]	7-3/16" [183]
E3BRB	3" [76]	7-3/16" [183]

Specifications subject to change without notice

Dimensions are inches, rounded to 1/16"
[Dimensions in brackets are mm, rounded to 1mm]