



California Faucets®

Salinas™

Wall Handle Trim

Features

- Available in 27 finishes including 12 PVD finishes
- All brass construction



TO-61-W-ZZ shown



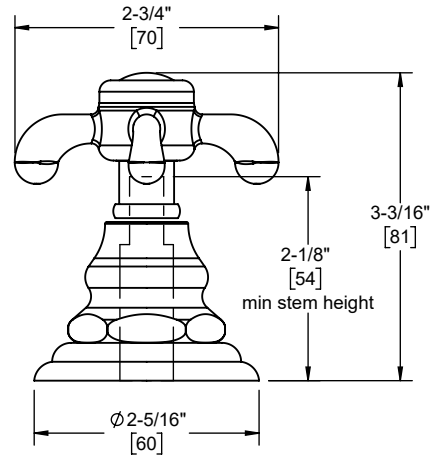
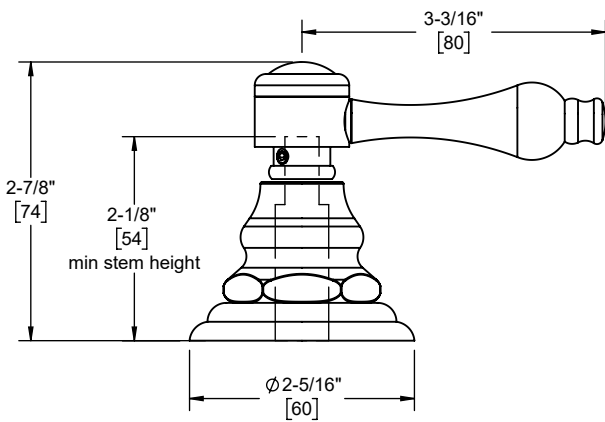
TO-61XD-W-ZZ shown

TO-61-W  
 TO-6103L  
 TO-6106L  
 TO-61XD-W  
 TO-6103XDL  
 TO-6106XDL

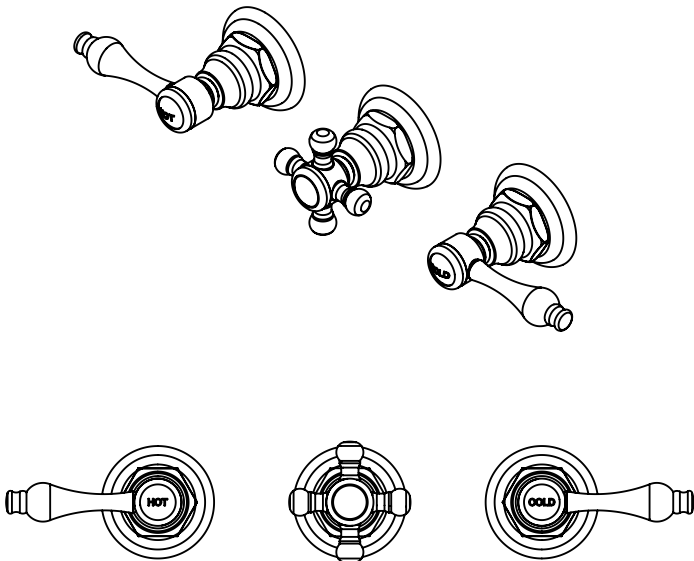
Codes/Standards Applicable

Product meets or exceeds the following:

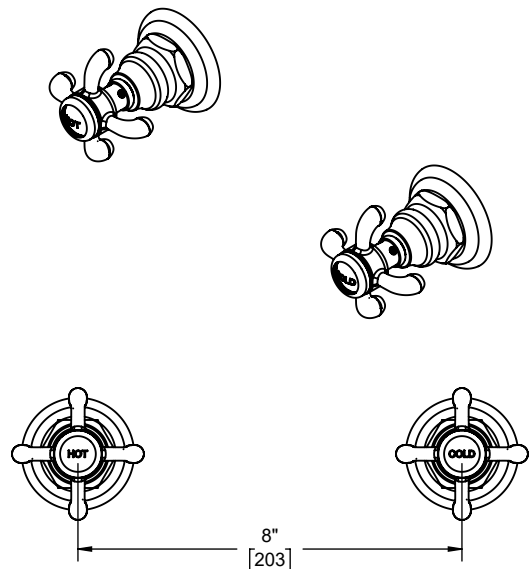
- ASME A112.18.1/CSA B125.1



TO-6103L-ZZ shown



TO-6106XDL-ZZ shown



Specifications subject to change without notice

Dimensions are inches, rounded to 1/16" [Dimensions in brackets are mm, rounded to 1mm]