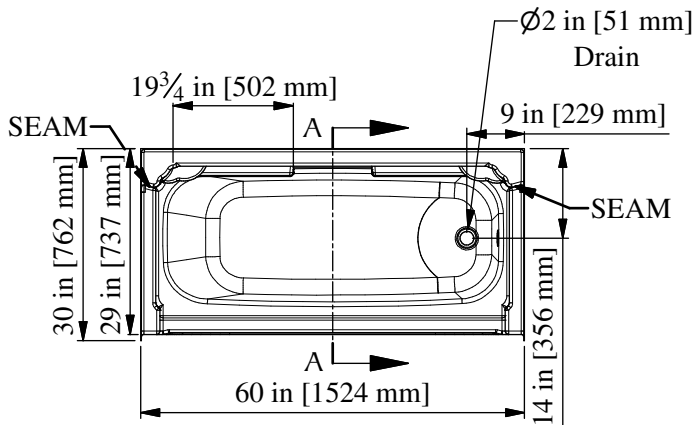
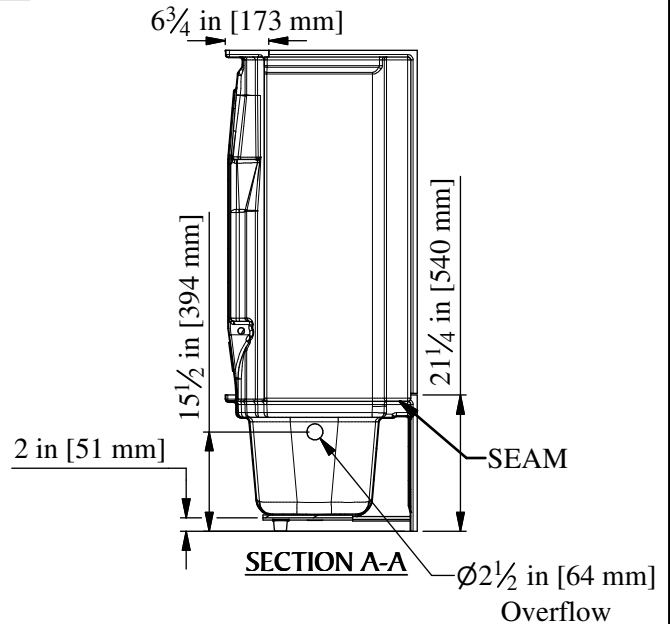
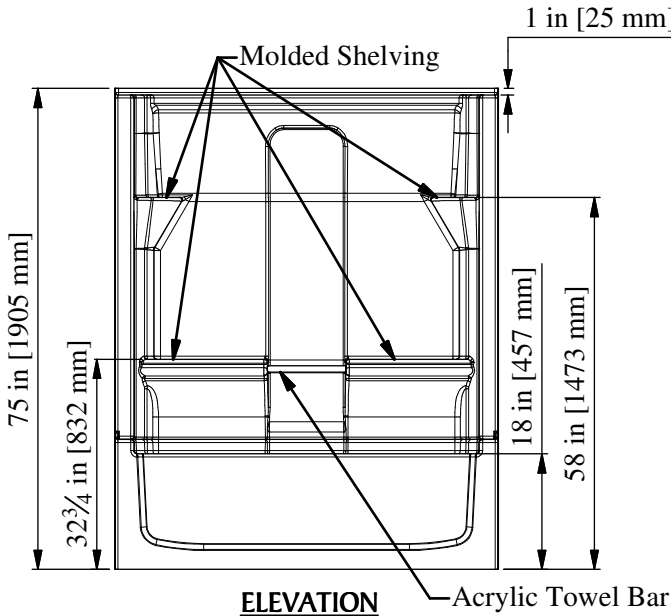


Quantum Series



**60" [1524mm] 4-Piece Tub/Shower
w/ Left or Right Hand Drain
& Molded Shelving**

Right Hand Version (4T40RT) Shown

PRODUCT SPECIFICATIONS:

- * Product complies with NAHB, HUD UM-73A, and ANSI-Z124.1.2.
- * Special installation instructions for this unit must be followed carefully.
- * Reinforced & slip resistant floor.
- * Molded shelving on back wall.
- * Integral 1" [25mm] nailing flange.
- * Factory installed 1" [25mm] acrylic towel bar.
- * Factory drilled 2-1/2" overflow.
- * Door Opening: W-54" [1372mm]
H-56" [1422mm]
- * Bathwell Dimensions (At Top): W-52-1/4" [1327mm]
D-19-3/4" [578mm]
H-15-3/4" [400mm]
- * Bathwell Dimensions (At Bottom): W-42" [1067mm]
D-15-3/4" [400mm]
- * Bathwell Capacity (At Overflow): 42 gal. [159L]
- * Water Level (At Overflow): 12" [305mm]
- * All dimensions +/- 1/2" [12.8mm]
- * Clarion Bathware reserves the right to change design and/or dimensions.
- * Dimensions are the same for all other versions of this model.
Which include 4MT40LT or 4MT40RT.

4T40LT or 4T40RT

60" [1524mm] 4-Piece Tub/Shower w/ 18" [457mm] Apron. Molded Shelving, & Left or Right Hand Drain

Clarion
BATHWARE
44 Amsler Ave.
Shipperville, PA 16254

Phone: (814) 226-5374
Toll Free: (800) 576-9228
Fax: (814) 226-0730
www.clarionbathware.com

Signatures For Approval:

Customer: _____
Arch./Engr: _____

Date: _____

DWG. #

4T40LT or RT -CUT

Quote #: _____
Job Name: _____

By: NMH

Date: 8/30/2018