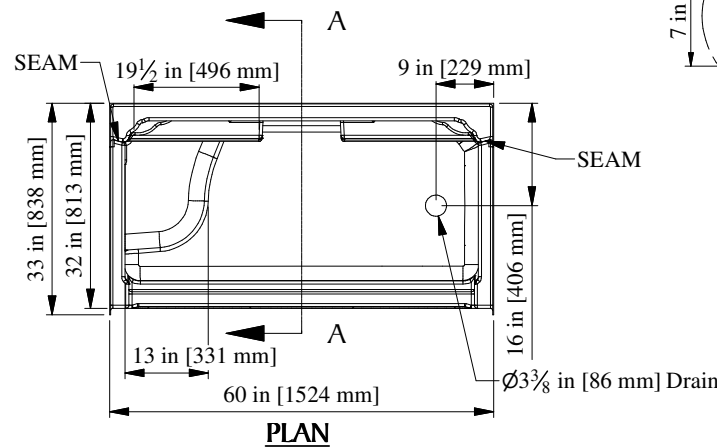
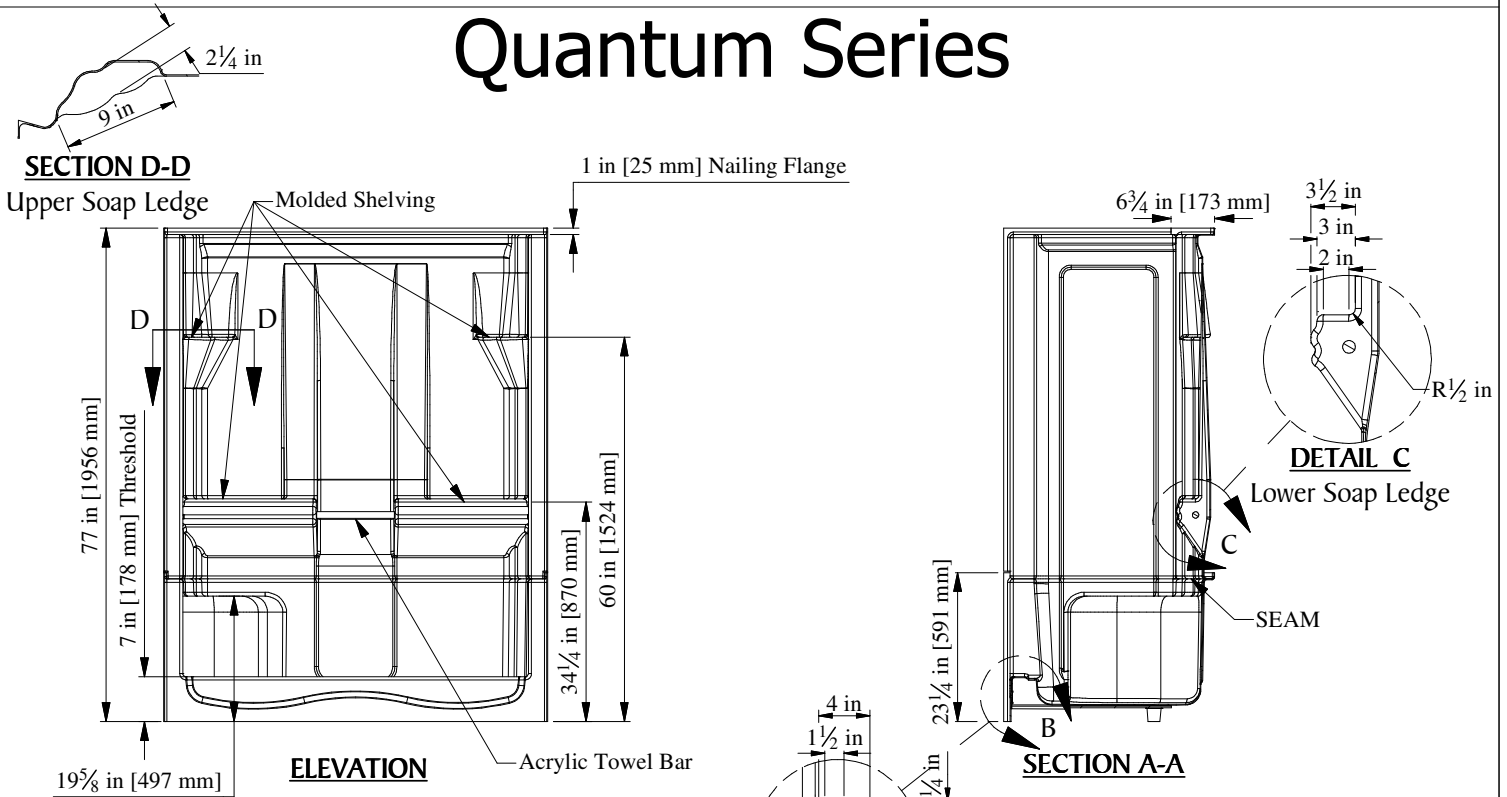
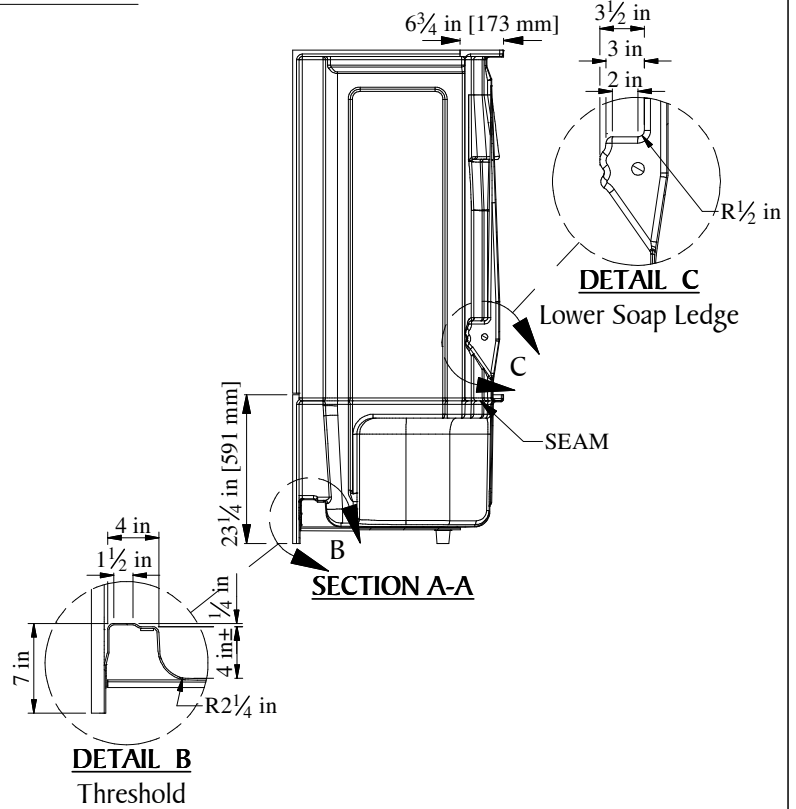


## Quantum Series



60" [1524mm] 4-Piece Shower  
w/ 7" [178mm] Threshold, Molded Shelving,  
& Molded Seat

Right Hand Version (4S10RT/S) Shown



### PRODUCT SPECIFICATIONS:

- Product complies with NAHB, HUD UM-73A, and ANSI-Z124.1.2.
- Special installation instructions for this unit must be followed carefully.
- Reinforced & slip resistant floor.
- Molded shelving on back wall.
- Molded seat approx. 13"W x 20"D x 16"H
- Factory installed 1" [25mm] clear acrylic towel bar.
- Integral 1" [25mm] nailing flange.
- Door Opening: W-53-3/4" [1365mm] x H-68" [1727mm]
- All dimensions +/- 1/2" [12.8mm]
- Clarion Bathware reserves the right to change design and/or dimensions. Dimensions are the same for all other versions of this model.

## 4S10LT/S or 4S10RT/S

60" [1524mm] 4-Piece Shower w/ 7" [177mm] Threshold, Left or Right Hand Drain, Molded Shelving, & Molded Seat

**Clarion**  
BATHWARE  
44 Amsler Ave.  
Shippensburg, PA 16254

Phone: (814) 226-5374  
Toll Free: (800) 576-9228  
Fax: (814) 226-0730  
www.clarionbathware.com

Signatures For Approval:

Customer: \_\_\_\_\_  
Arch./Engr: \_\_\_\_\_

Date: \_\_\_\_\_

DWG. #  
4S10LTS or RTS -CUT

Quote #: \_\_\_\_\_  
Job Name: \_\_\_\_\_

By: NMH  
Date: 2/18/2019