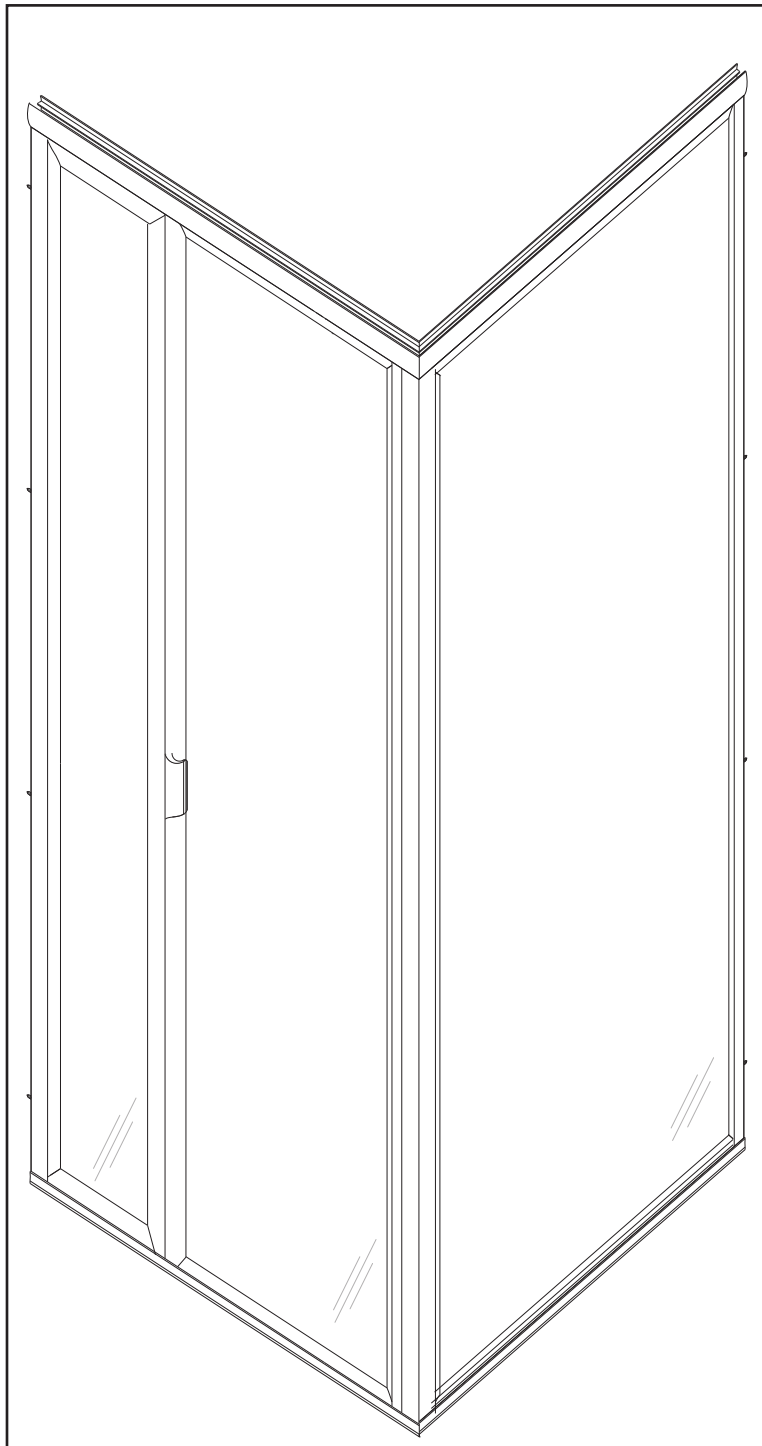
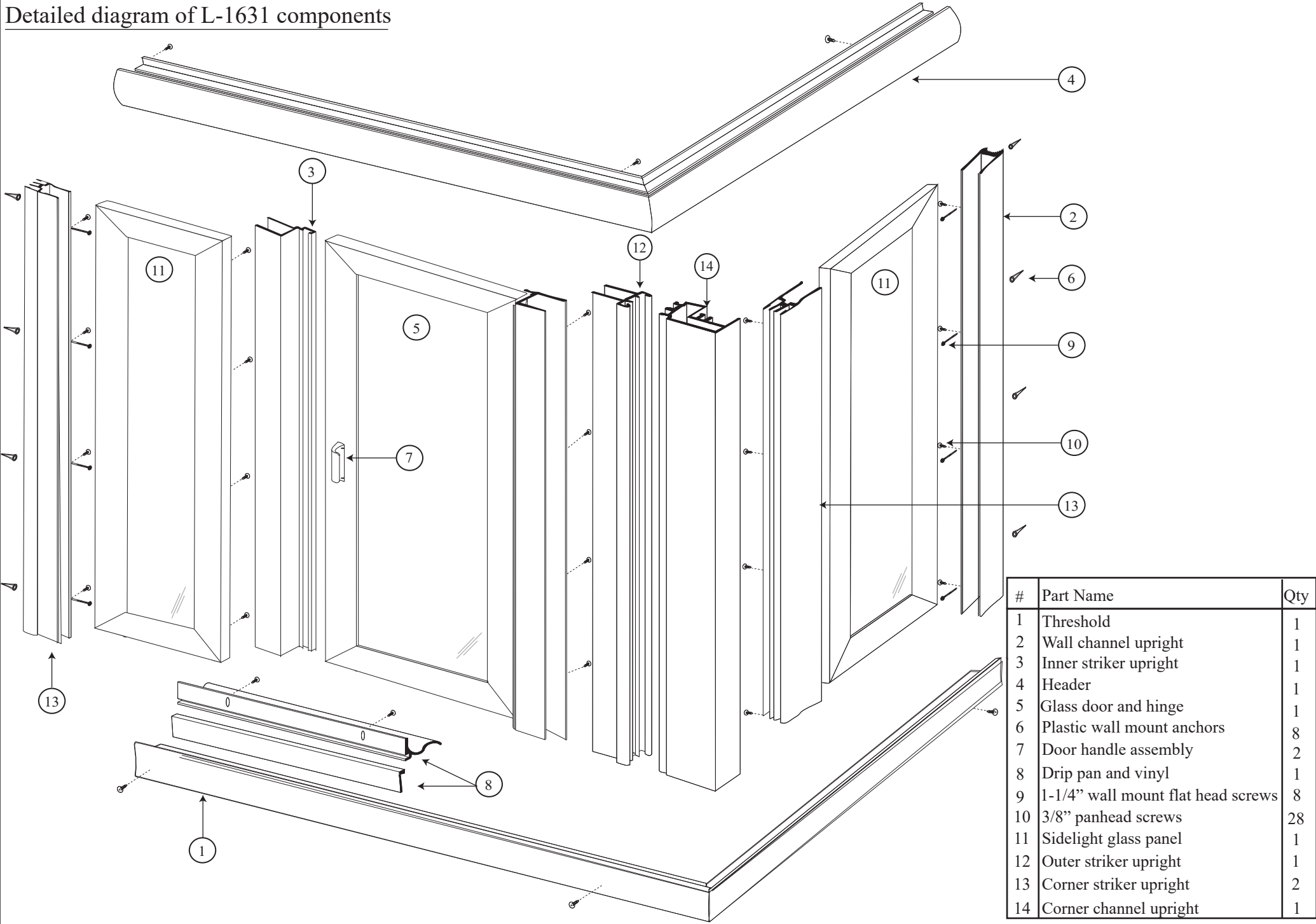


L-1631
Lucette Hinged Framed Door
Installation Guide



Detailed diagram of L-1631 components

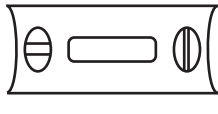


#	Part Name	Qty
1	Threshold	1
2	Wall channel upright	1
3	Inner striker upright	1
4	Header	1
5	Glass door and hinge	1
6	Plastic wall mount anchors	8
7	Door handle assembly	2
8	Drip pan and vinyl	1
9	1-1/4" wall mount flat head screws	8
10	3/8" panhead screws	28
11	Sidelight glass panel	1
12	Outer striker upright	1
13	Corner striker upright	2
14	Corner channel upright	1

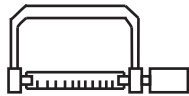
Tools required



Tape Measure



Level



Hacksaw



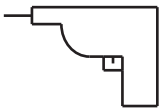
Safety glasses



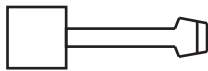
Drill bits (2) (#32 metal bit, 3/16" carbide masonry bit)



Masking tape



Drill



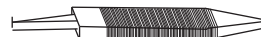
Flat head and
Phillips head
Screwdriver



Pencil/Marker



Caulking gun



Metalwork file

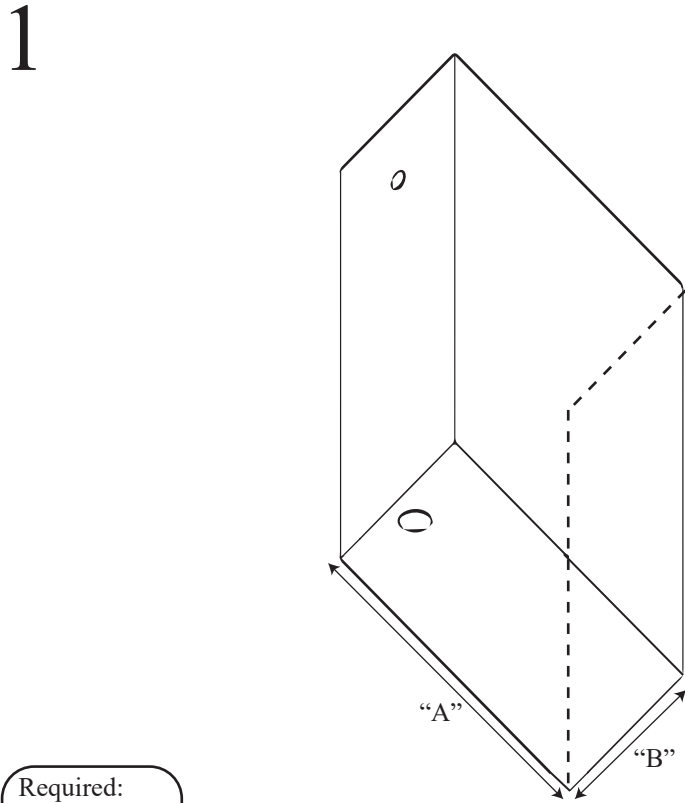


Scissors



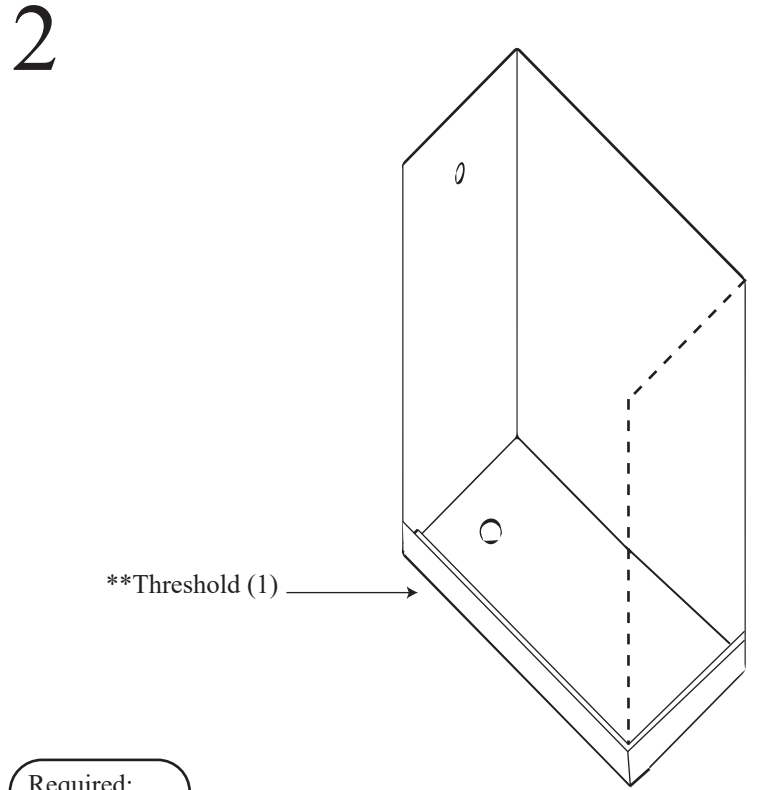
WARNINGS

- **Before starting, please read instructions carefully and thoroughly; then proceed step by step.
- **Please wear safety glasses and safety gloves whenever drilling or cutting tile or handling metal/glass parts.
- **When drilling through tile, carefully break through glazed surface only with sharp tool and then drill slowly.
- **Wall uprights must be installed level and plumb. Do not follow grout lines.
- **To insure complete customer satisfaction Century Bathworks recommends installation by a professional.
- **Risk of injury or product damage. Two people should perform this installation.
- **Do not cut the top and bottom track the same length for this installation.
- **Please carefully unpack all parts for your unit as listed on previous page and also check that you have all the tools as listed above.
- **If any parts are missing or damaged, please contact Century Bathworks or your dealer for replacements.



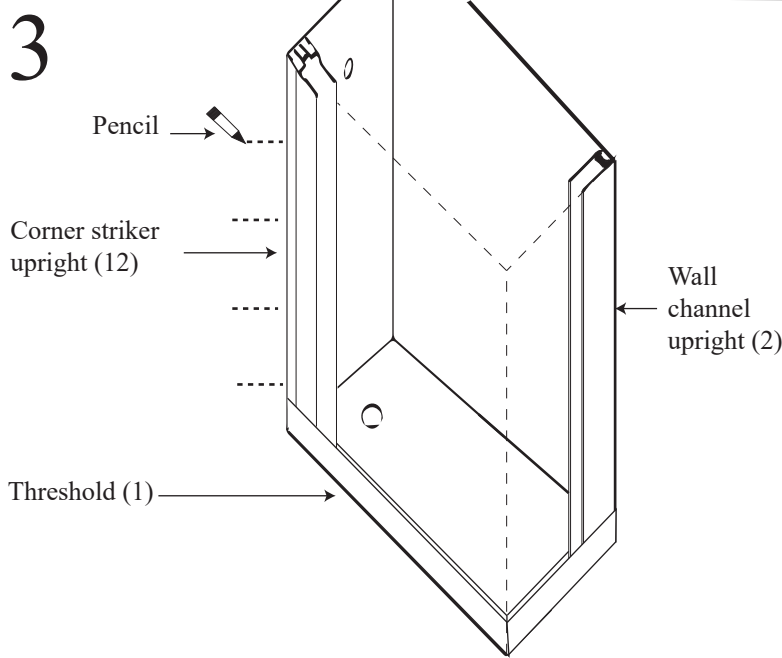
Required:
Tape measure

- Measure "A" and note distance between the wall and corner at the base.
- Measure "B" and note distance between the corner and wall at the base.



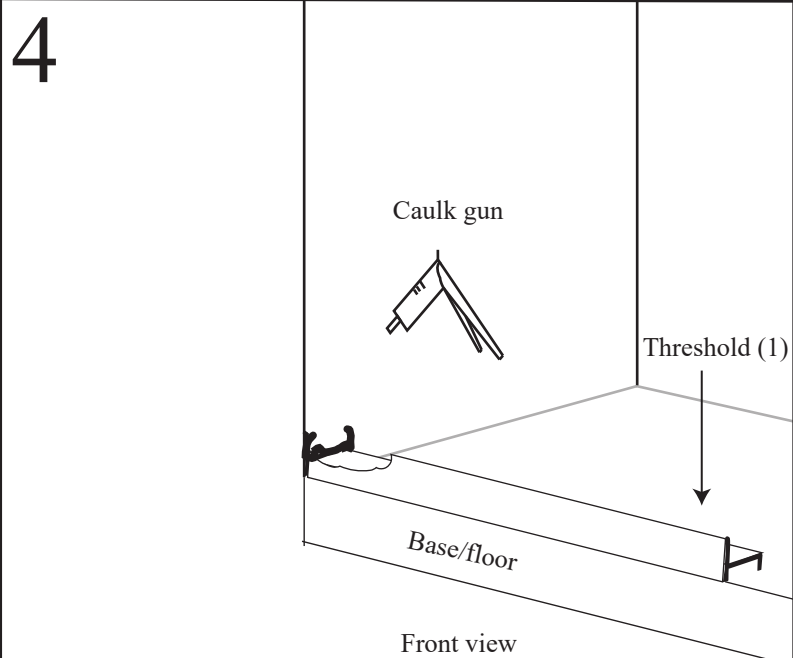
Required:
Hacksaw

- Consider the length "A" and "B" and place the threshold on the base as shown.
- ** Flat long side of threshold must face to the outside of shower.



Required:
Pencil/marker, masking tape, 3/16" carbide masonry bit, drill, level

- Place the wall channel upright and corner striker upright on the threshold against wall.
- Hold in place with masking tape. Make sure it is level and plumb. Mark the holes on the wall using a pencil or marker. Remove the uprights and threshold.
- Drill holes with 3/16" carbide-tipped masonry bit.
- Insert plastic wall anchors. Remove all the wall debris.

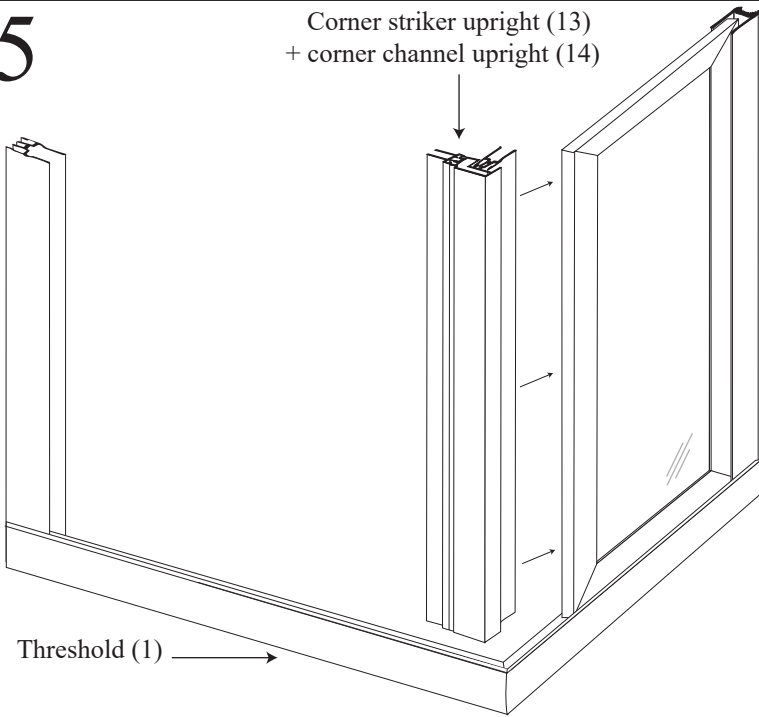


Required:
Caulking gun, drill/screwdriver

- Again, place the threshold on the base and caulk inside of threshold from the top at each wall and at all the joints.
- After the caulking is done, screw uprights to wall through predrilled holes with 1-1/4" flathead screws.

5

Corner striker upright (13)
+ corner channel upright (14)



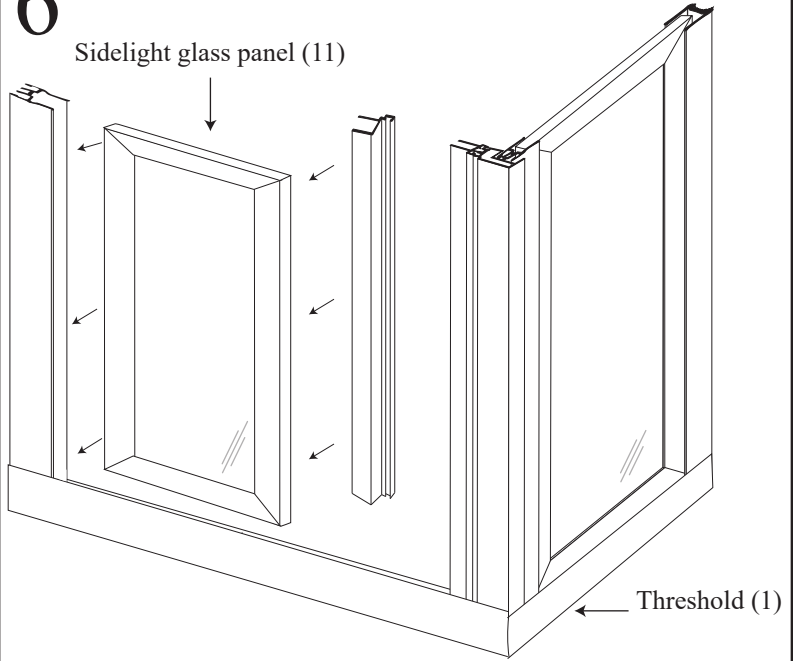
Threshold (1)

Required:
Masking tape

- Insert corner striker upright with corner channel upright onto sidelight glass panel.
- Hold it in place with masking tape.
(Do not screw until step 10)

6

Sidelight glass panel (11)

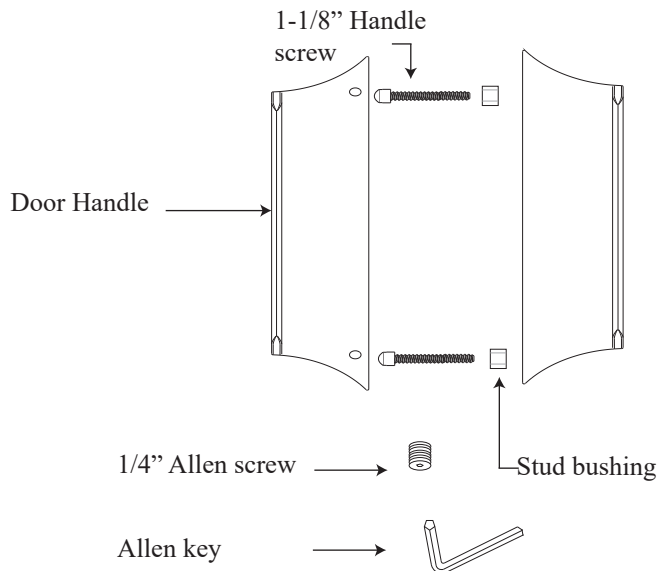


Threshold (1)

Required:
Masking tape

- (Depending on door location/swing) Insert sidelight glass panel into corner striker upright/ outer striker upright. Also, slide inner striker upright into sidelight panel and hold it in place with masking tape.
(Do no screw until, step 10)

7



1-1/8" Handle screw

Door Handle

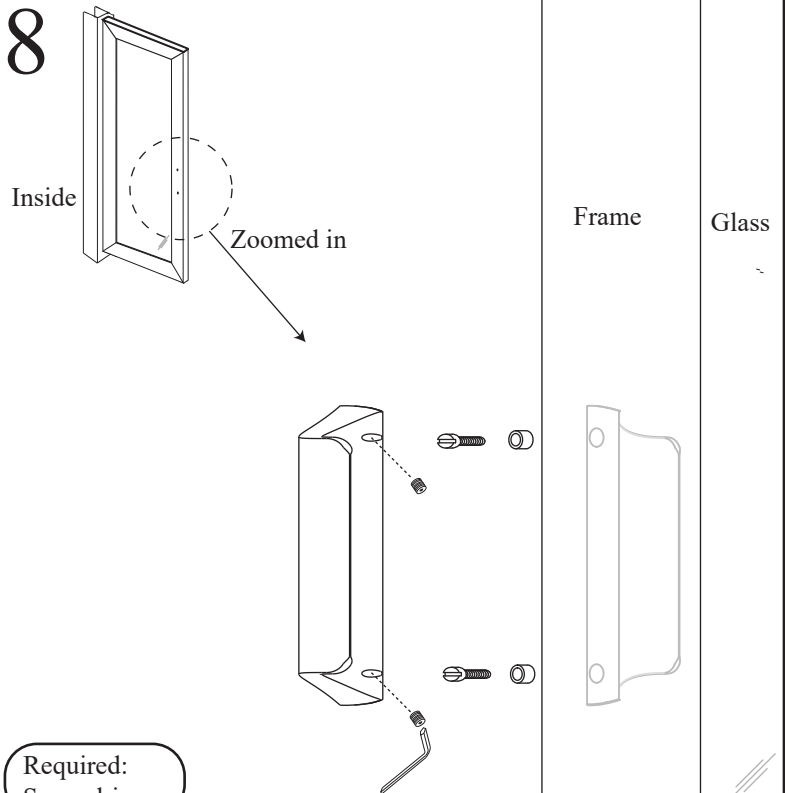
1/4" Allen screw

Allen key

Stud bushing

- Unpack the door handle assembly.
- It contains: Door handle- 2 pcs
1 1/8" Handle screw- 2 pcs
Stud bushing- 2 pcs
1/4" allen screw- 2 pcs & Allen key- 1 pc

8



Inside

Zoomed in

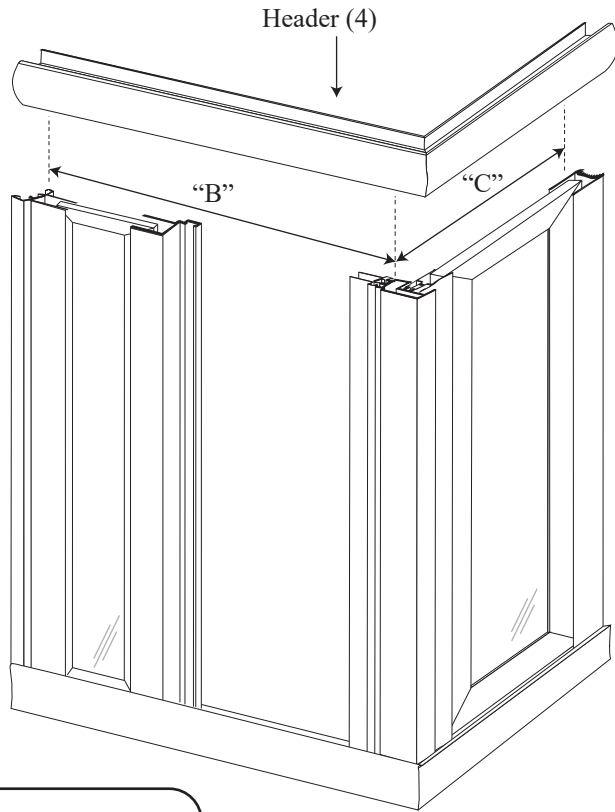
Frame

Glass

Required:
Screwdriver

- Insert screw through frame via pre-drilled holes making sure screw head and stud bushing are on inside of door.
- Screw handle with 1-1/8" flathead screws to secure on handle to place.
- Use 1/16 allen wrench to secure 1/4" allen screws into the other handle.

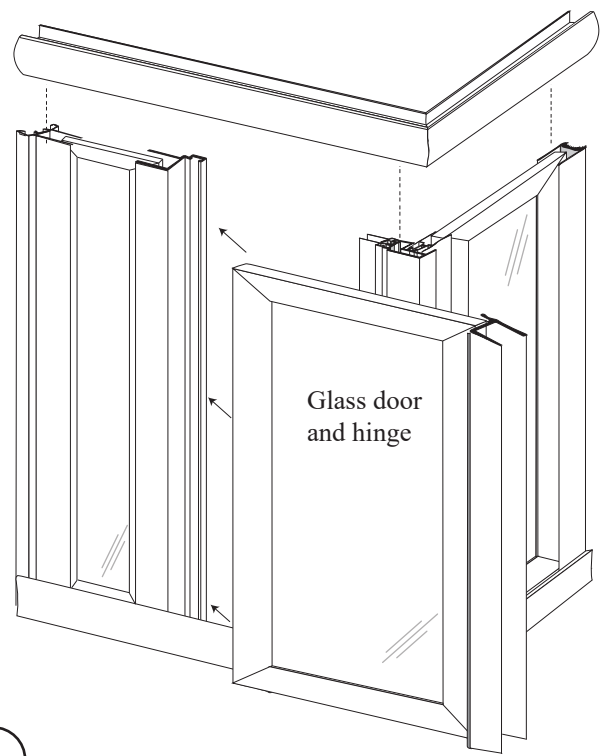
9



Required:
Tape measure, drill, hacksaw

- Place header on top of the unit as shown.
- Measure the length "B" and "C" and cut the header at the loose end.
- Do not screw until step 10.

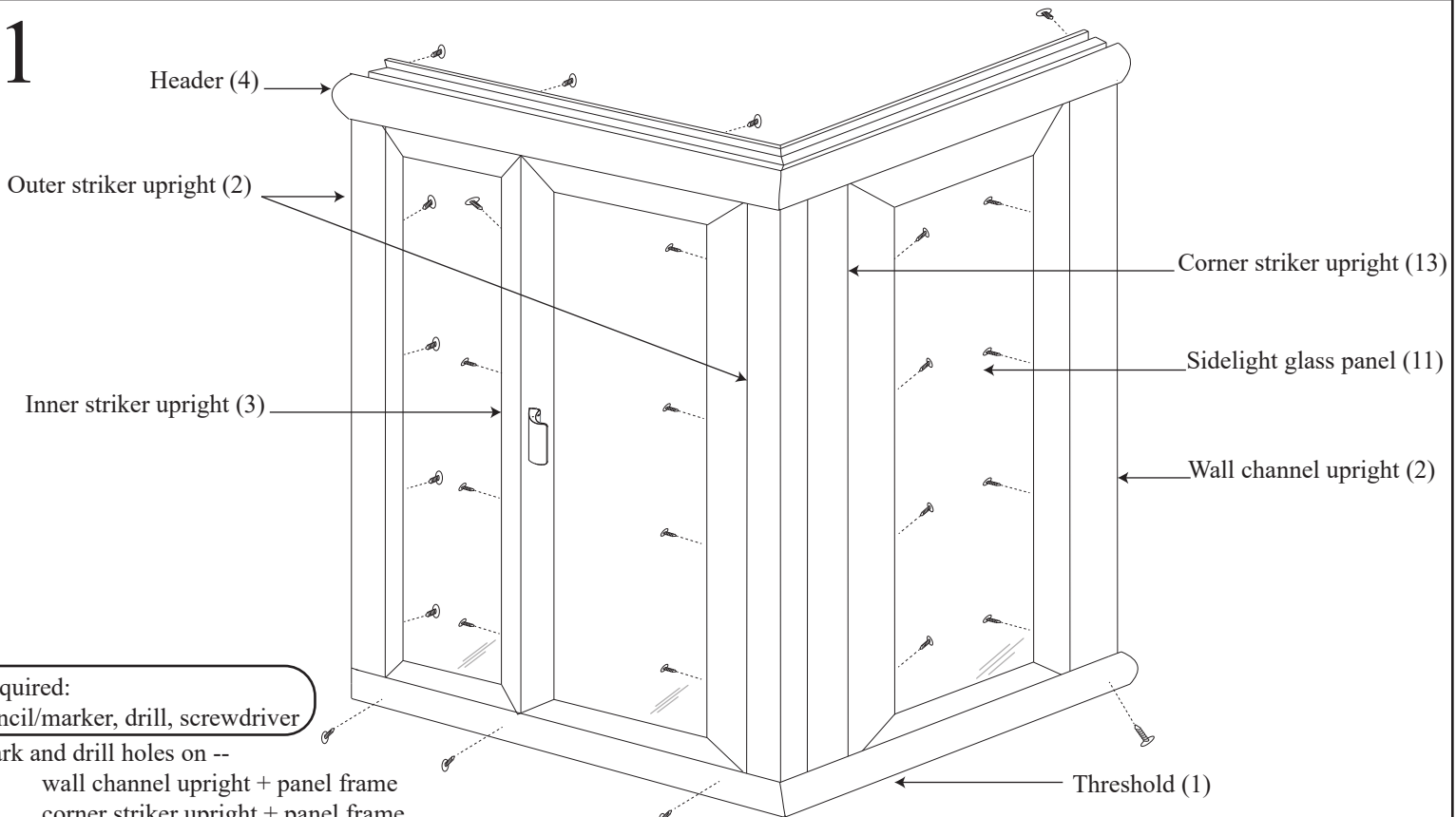
10



Required:
Masking tape

- Place glass door and hinge piece into outer striker upright/ sidelight glass panel (based on desired door swing direction) and hold into place with masking tape.
- Also, place the header on top of the unit.
- Check the door swing and adjust the uprights accordingly.

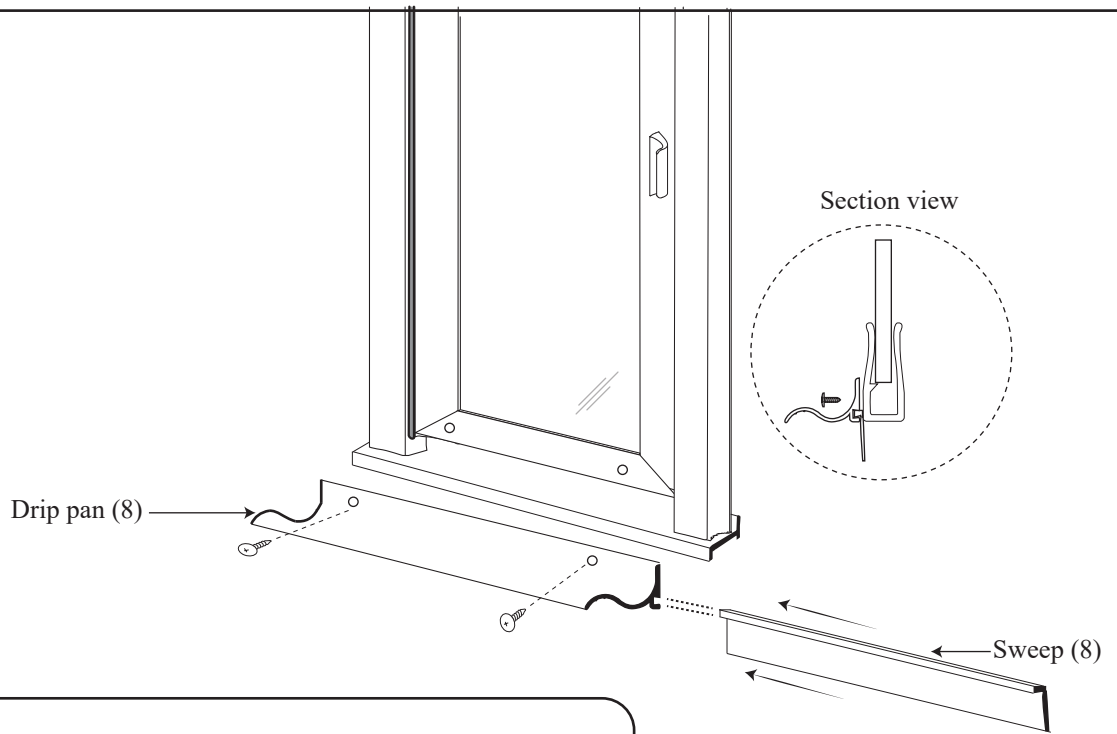
11



Required:
Pencil/marker, drill, screwdriver

- Mark and drill holes on --
wall channel upright + panel frame
corner striker upright + panel frame
door hinge + panel frame/outer striker upright (based on hinge location)
wall channel upright/inner striker upright/ door hinge/outer striker upright + header/threshold.
- Fasten the uprights and header/threshold with 3/8" panhead screws to fix the unit in place.

12

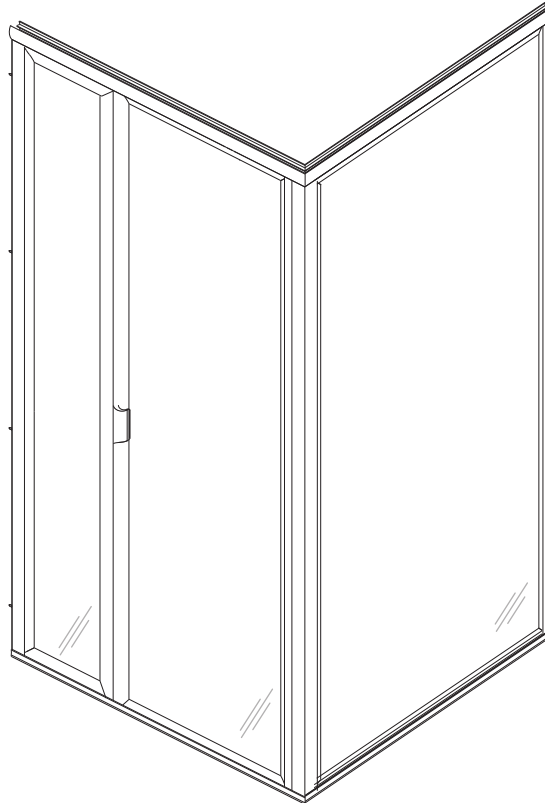


Required:

Pencil/ marker, metalwork file, drill, screwdriver, hacksaw, tape measure, level, caulking gun

- Measure from inside of the stall the distance between the inner striker upright and door hinge piece.
- Trim the extra length of the drip pan that would be on the striker side of door. File the cut, smooth and round the edge.
- Adjust position as needed to provide a slight horizontal tilt to the drip pan (with low side toward the hinge side of the door) so that the water runs back into shower.
- Align bottom edge of the drip pan with the bottom edge of the door. Mark and drill holes on bottom door frame to mount drip pan. (Be sure to avoid drilling into glass.) Slide drip pan vinyl sweep into drip pan as shown. Use screws to fix drip pan to door. Apply silicone to fix sweep.

13



Required:

Caulking gun

- On completion of assembly and installation, caulk entire inside of the unit where it meets the wall and the base and the outside of threshold where it meets the walls and base to prevent water leakage.
- Wait for 24 hours before using, for silicone to dry.