

We reserves all rights in this document and it's subject matter. The recipient hereby acknowledges these rights and assures the use of this document only for the purpose it was delivered. © Wilhelm Schmidlin AG

1 2 3 4 5 6 7 8

A A

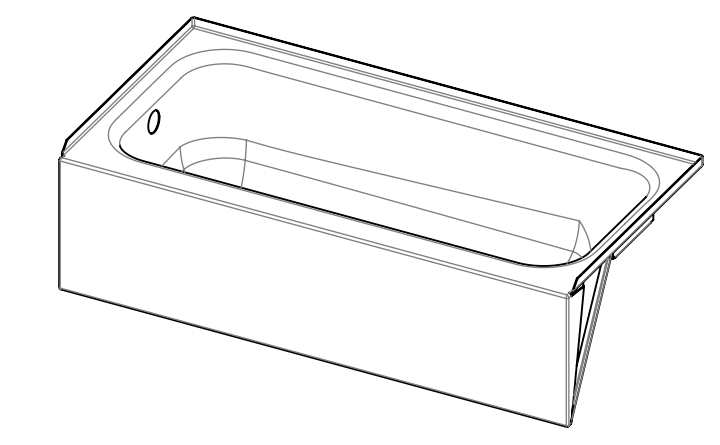
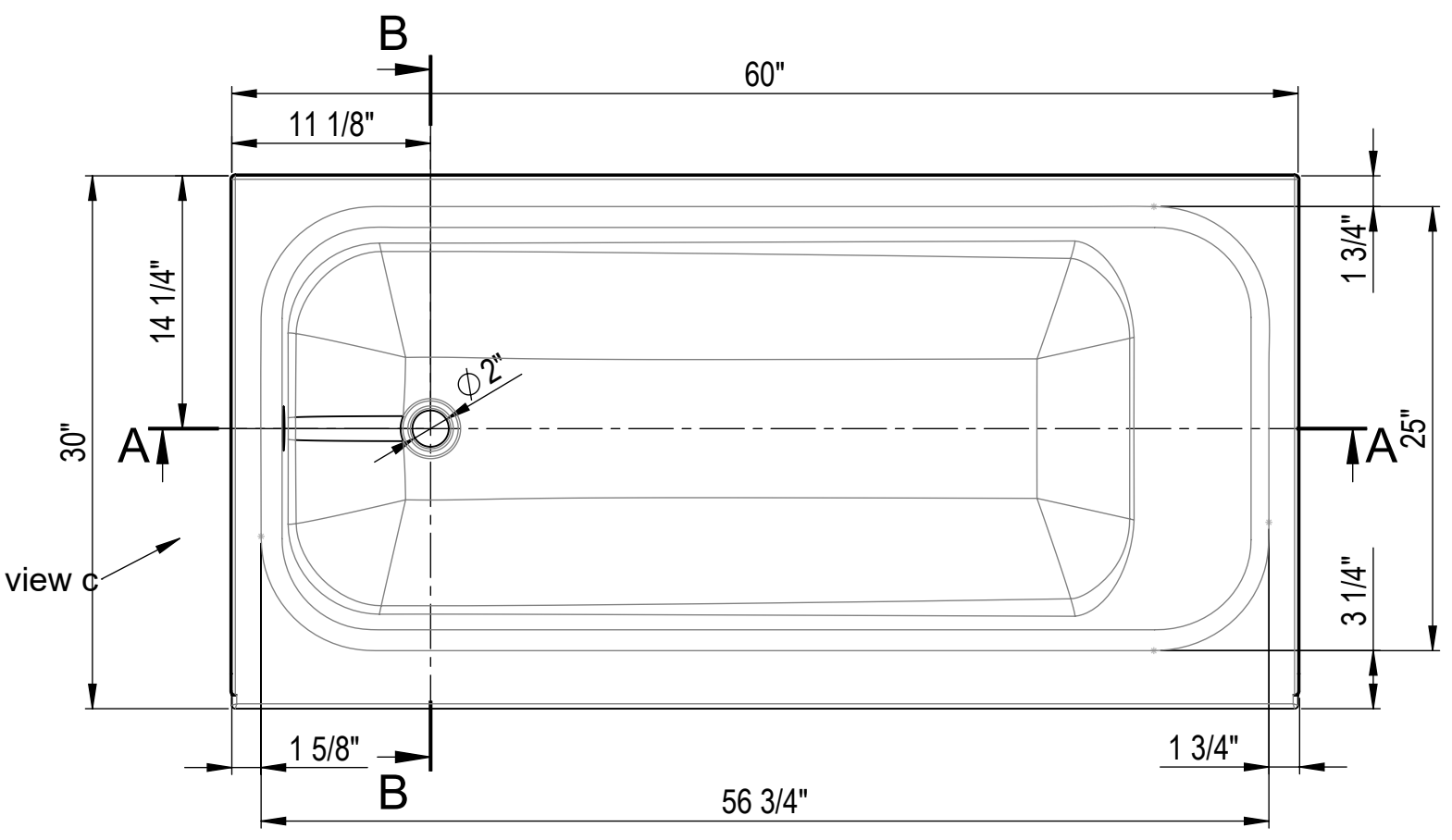
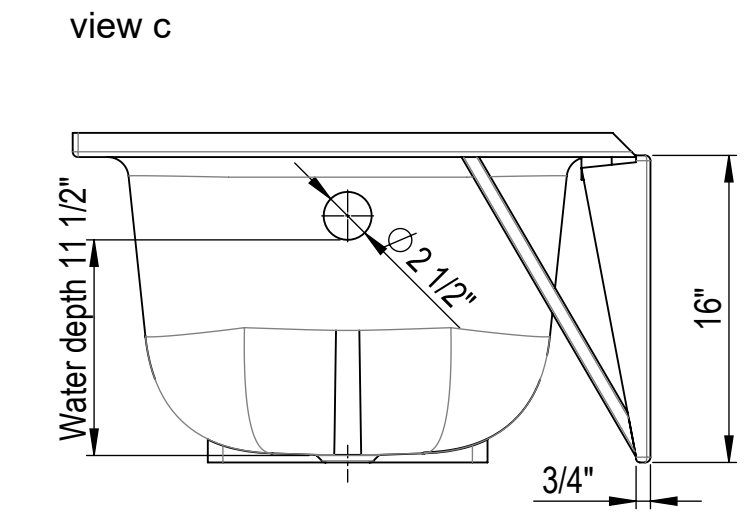
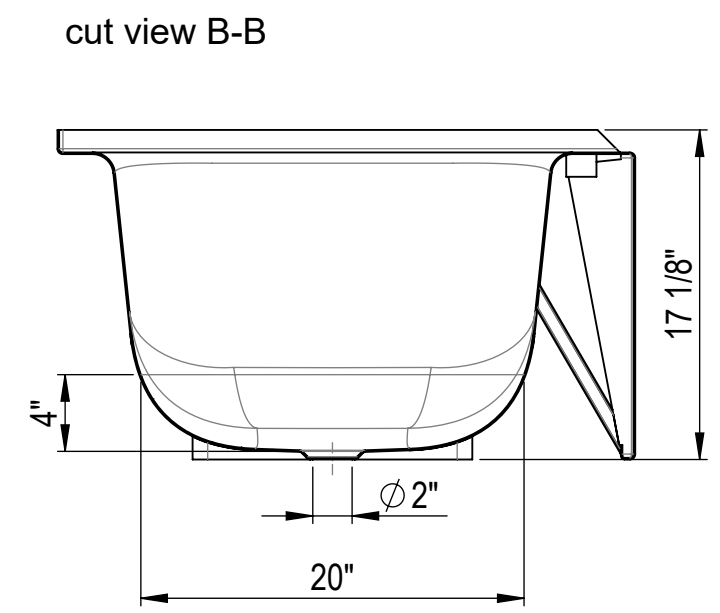
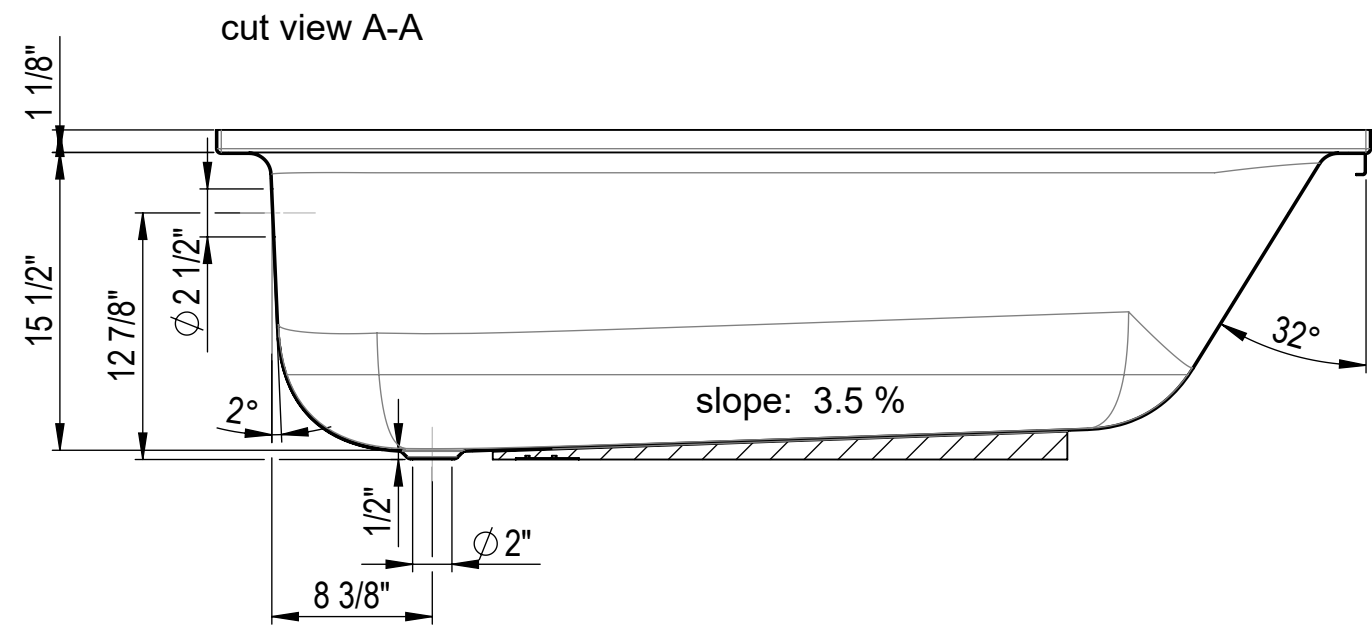
B B

C C

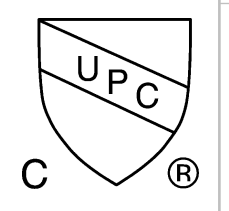
D D

E E

1 2 3 4 5 6 7 8



Material:
 Glazed titanium steel
 Slip resistant surface Schmidlin ANTIGLISS included.
 All products are made in the same factory with the same processes.
 The steel grade and surface materials are identical.



Change	a	16.02.2021	LB	MassLasch	-	-	replaced by	24.02.2021	LB
	-	-	-	-	-	-	-	-	-
	-	-	-	-	-	-	-	-	-
	-	-	-	-	-	-	-	-	-
Item no.		2300-0003		Scale		1:10		Format	Sheet/Sheets
release				Order no.				A	5 / 14
Order no.				Schmidlin		Schmidlin URBAN CLASSIC		Drawing no.	
		www.schmidlinusa.com		60"x30", tile flanges on 3 sides, left drain		01.4.0002695		Version	
								a	

CAD-System: SolidWorks

Plotdatum: 24.02.2021