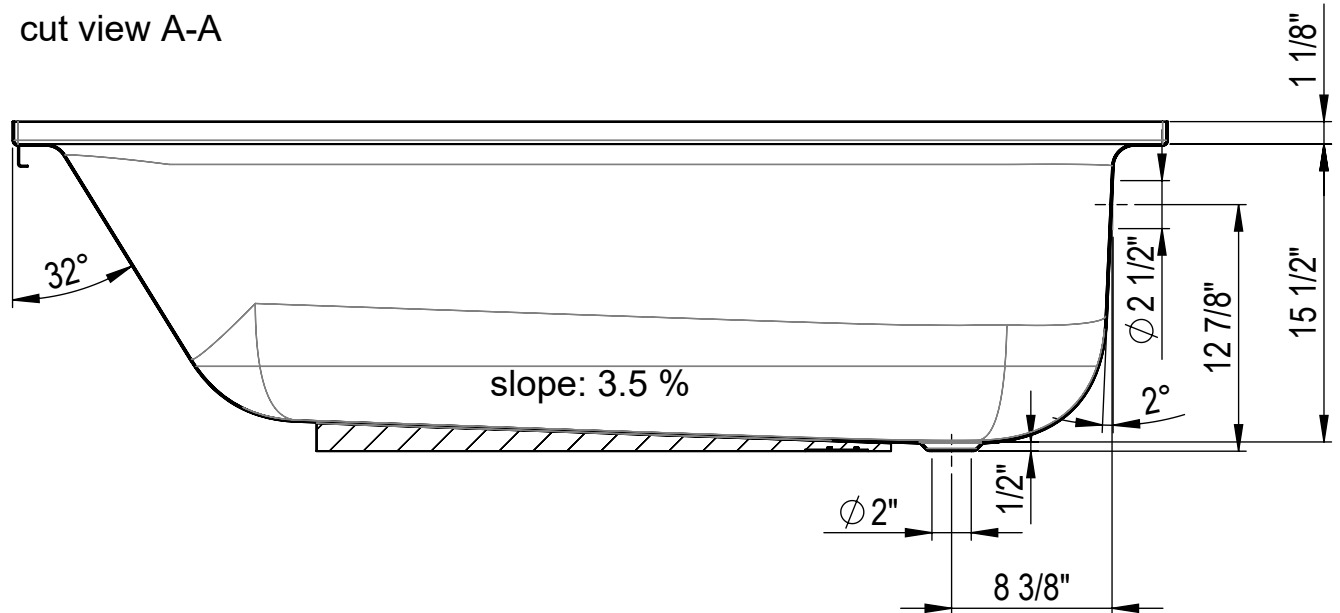
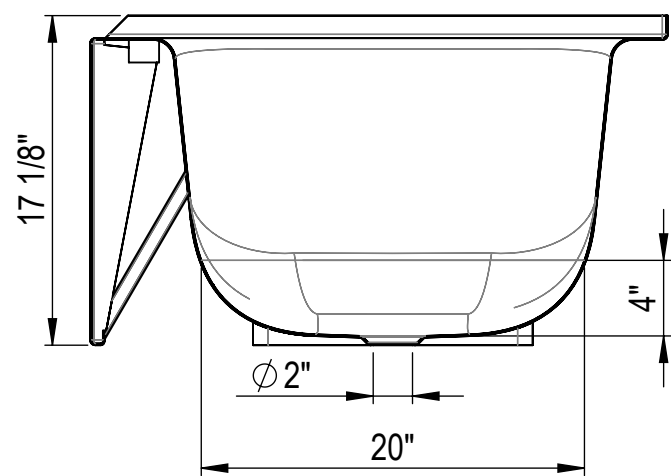


We reserves all rights in this document and it's subject matter. The recipient hereby acknowledges these rights and assures the use of this document only for the purpose it was delivered. © Wilhelm Schmidlin AG

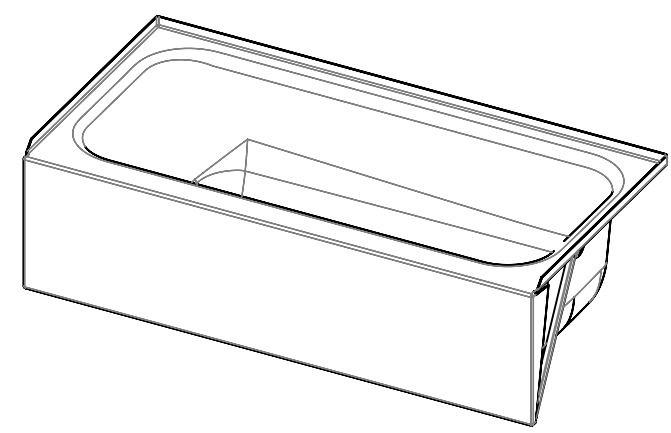
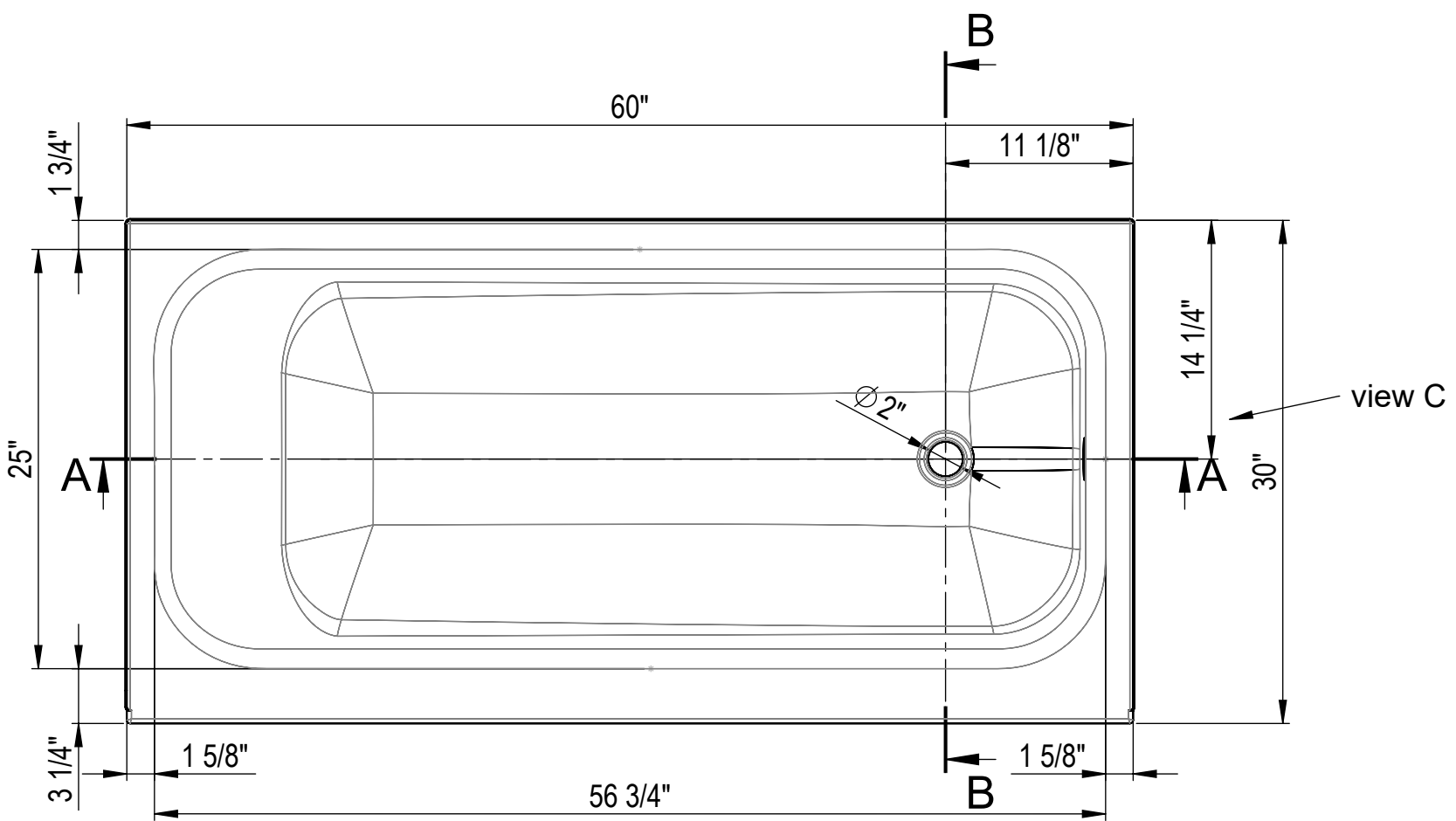
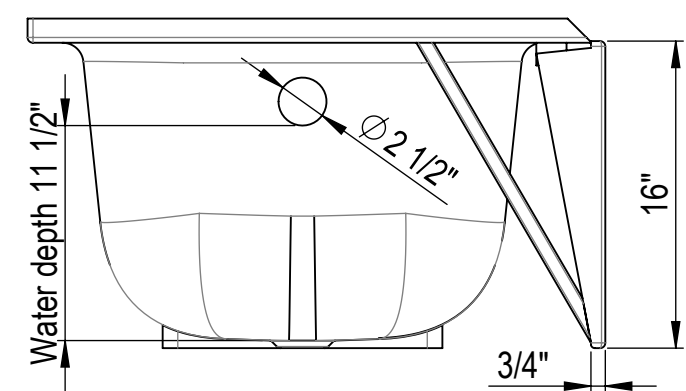
cut view A-A



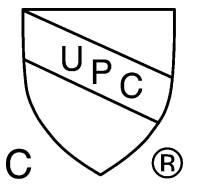
cut view B-B



view C



Material:
 Glazed titanium steel
 Slip resistant surface Schmidlin ANTIGLISS included
 All products are made in the same factory with the same processes.
 The steel grade and surface materials are identical.



Change	a	16.02.2021	LB	MassLasch	-	-	replaced by	24.02.2021	LB
	-	-	-	-	-	-	-	-	-
	-	-	-	-	-	-	-	-	-
	-	-	-	-	-	-	-	-	-
Item no.		2300-0004		Scale		1:10		Format	Sheet/Sheets
release				Order no.				A	6 / 14
Schmidlin™		Schmidlin URBAN CLASSIC		Drawing no.		01.4.0002833		Version	
www.schmidlinusa.com		60"x30", tile flanges on 3 sides, right drain		a					