



IMPORTANT DOCUMENTS ENCLOSED

CAUTION:

To reduce the risk of injury due to hot water burns, make sure the enclosed labels are applied where specified on the label.

DOCUMENTOS IMPORTANTES INCLUIDOS

AVISO:

Para reducir el riesgo de lesión por quemaduras de agua caliente , asegúrese que las etiquetas incluidas se han aplicado donde se ha especificado en la etiqueta.

DOCUMENTS IMPORTANTS À L'INTÉRIEUR

MISE EN GARDE :

Pour réduire le risque d'ébouillantage, veuillez apposer les étiquettes fournies aux endroits indiqués sur celles-ci.

NOTICE TO INSTALLER: Place this label on the water heater next to the temperature adjustment knob.

WARNING:

These series of tub/shower valves do not adjust automatically for changes in temperature at the hot water heater or inlet. If the temperature setting of the hot water heater or inlet is changed, the setting on these valves **must be adjusted manually!** Failure to re-adjust the valve may result in hot water burns or extreme cold resulting from variations in line pressure (such as when a dishwasher or washing machine is in use while you are taking a shower). After installation, verify that the rotational limit stop or temperature knob on the valve is set so that changes in line pressure or temperature do not result in uncomfortable water temperature changes. **If the temperature setting of the hot water heater or inlet is changed after installation of the valve, the setting of the rotational limit stop or temperature knob also must be changed!** Consult the installation instruction sheet for instructions on how to make this setting, or call us at 1-800-345-DELTA.

AVISO AL INSTALADOR: Coloque esta etiqueta en el calentador de agua al lado de la perilla para el ajuste de temperatura.

AVISO:

Esta serie de válvulas para bañeras/regaderas no se ajustan automáticamente a los cambios de temperatura en el calentador de agua o en el agua de entrada. Si el ajuste de la temperatura del calentador de agua o la temperatura del agua que entra cambia ¡El ajuste de estas válvulas se debe hacer manualmente! El no reajustar la válvula puede resultar en quemaduras por agua caliente o temperaturas de agua extremadamente frías resultando en variaciones de presión y temperatura (como cuando el fregador de platos o la lavadora están funcionando mientras que se baña). Después de la instalación, verifique que el control o tope del límite rotacional o la perilla del control de temperatura en la válvula está ajustada para que los cambios de presión y de temperatura en la línea no resulten en cambios incómodos de temperatura del agua. **Si el ajuste de la temperatura del calentador de agua o de la entrada de agua se cambia después de la instalación de la válvula, el ajuste del tope del límite rotacional o la perilla de ajuste también se debe cambiar!** Consulte con su hoja de instrucciones de instalación para saber como se ajusta o cambia el ajuste, o llámenos al 1-800-345-DELTA.

AVIS À L'INSTALLATEUR: Fixez cette étiquette sur le chauffe-eau près du bouton de réglage de température.

ATTENTION:

La soupape de robinet de baignoire ou de douche de cette série ne se règle pas automatiquement en fonction des changements de température de l'eau chaude au chauffe-eau ou de l'eau d'alimentation. En cas de modification du réglage de température du chauffe-eau ou de la température de l'eau d'alimentation, le réglage de cette soupape doit être modifié manuellement! Si le réglage de la soupape n'est pas modifié, le robinet pourra permettre l'écoulement d'eau très chaude susceptible de causer l'ébullition ou d'eau très froide, sous l'effet des variations de pression et de température dans la tuyauterie d'alimentation (lorsque la douche est utilisée en même temps que le lave-vaisselle ou la machine à laver, par exemple). Après l'installation, assurez-vous que la butée de température maximale ou le bouton de température sur la soupape est réglé de manière que les fluctuations de pression et de température dans la tuyauterie d'alimentation n'entraînent pas de changements de température de l'eau inconfortables. **En cas de modification du réglage de température du chauffe-eau ou de la température de l'eau d'alimentation après l'installation de la soupape, le réglage de la butée de température maximale ou du bouton de température doit être modifié!** Pour régler le bouton de température, consultez la feuille d'instructions d'installation ou appelez-nous au 1-800-345-DELTA.

NOTICE TO INSTALLER: Place this label close to the valve where the owner will see it, such as inside the door of a cabinet or vanity.

WARNING:

Water temperature changes due to seasonal or other inlet variations, such as changing the setting on the hot water heater may require adjustment of the rotational limit stop or temperature knob on your tub/shower valve to ensure a safe maximum temperature. These valve series do not automatically adjust for inlet temperature changes. If changes occur and you are not sure how to make the necessary rotational limit stop or temperature knob adjustments, please consult the installation instruction sheet provided with this valve or call 1-800-345-DELTA. These valve series are designed to minimize the effects of outlet water temperature changes due to inlet pressure changes, commonly caused by dishwashers, washing machines, toilets and the like. **They may not provide protection from hot water burns when there is a failure of other temperature controlling devices elsewhere in the plumbing system.** After making the necessary adjustments please fill in the information below. This valve/system has been set by the person listed below to ensure a safe maximum temperature. Any change in the setting may raise the discharge temperature above the limit considered safe and could lead to hot water burns. If this label has not been completed, you should verify that the rotational limit stop or temperature knob has been properly adjusted to suit your individual installation. The installation instruction sheet supplied with the valve provides information on how to make this setting.

AVISO AL INSTALADOR: Coloque esta etiqueta cerca de la válvula donde el propietario la pueda ver, tal como dentro de la puerta del gabinete o el tocador.

AVISO:

Los cambios de temperatura del agua por variaciones estacionales u otras variaciones en el agua de entrada, como el cambio por el ajuste en el calentador de agua, puede requerir el ajuste del tope del límite rotacional o ajuste de la perilla para el control de la temperatura de la válvula de su unidad bañera/regadera para asegurar una temperatura máxima segura. Esta serie de válvulas no se ajusta automáticamente para los cambios de temperatura del agua de entrada. Si cambios ocurren y usted no está seguro como hacer los ajustes necesarios con la perilla para controlar la temperatura, por favor consulte la hoja de instrucciones de instalación proporcionada con esta válvula o llámenos al 1-800-345-DELTA. Las válvulas de esta serie están diseñadas para minimizar los efectos por cambios de temperatura en el agua de entrada por cambios en la presión del agua, comúnmente causados por el uso simultáneo de fregadoras de platos, lavadoras, inodoros y aparatos similares. **Estas pueden no proporcionar protección de quemaduras por el agua caliente cuando hay una falla de otros mecanismos que controlan la temperatura del agua en otro sitio del sistema de plomería.** Después de hacer los ajustes necesarios, por favor escriba la información suministrada a continuación. Esta válvula/sistema ha sido ajustada por la persona indicada a continuación para ayudar a asegurar una temperatura máxima segura. Cualquier cambio al ajuste puede aumentar la temperatura del agua de descarga sobre el límite considerado seguro y puede resultar en quemaduras por agua caliente. Si esta etiqueta no se ha llenado, debe verificar si el control o tope del límite rotacional o la perilla que controla la temperatura han sido correctamente ajustadas al gusto de su instalación individual. La hoja de instrucciones de instalación proporcionada con las válvulas le suministra información sobre como hacer este ajuste.

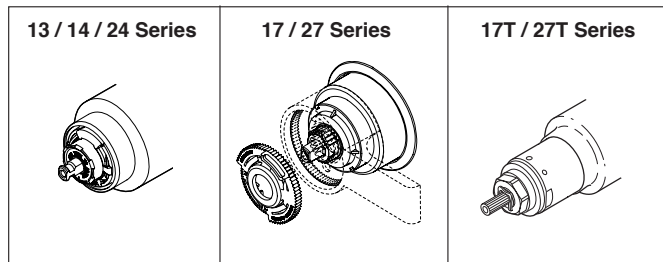
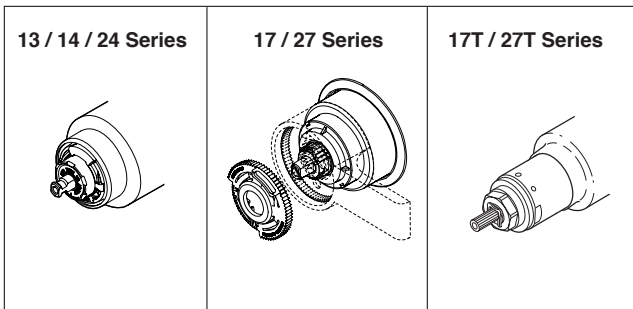
AVIS À L'INSTALLATEUR: Placez cette étiquette près de la soupape à un endroit où le propriétaire pourra la voir, du côté intérieur de la porte de l'armoire ou du meuble par exemple.

AVERTISSEMENT:

La température de l'eau peut varier en raison des changements de saison, d'une modification du réglage du chauffe-eau ou d'autres changements. Par conséquent, un réglage du bouton de température de votre soupape de douche ou de baignoire peut s'imposer pour que la température maximale de l'eau demeure sécuritaire. Les soupapes de cette série ne s'ajustent pas automatiquement aux changements de température de l'eau d'alimentation. Si des changements vous obligent à régler le bouton de température et vous n'êtes pas certain de la marche à suivre, veuillez consulter le feuillet d'instructions fourni avec la soupape ou appeler au 1-800-345-DELTA. Cette soupape est conçue pour réduire les risques de blessures causées par des changements de la température ou de la pression de l'eau d'alimentation habituellement causés par le lave-vaisselle, la machine à laver, une toilette ou un autre appareil qui consomme de l'eau. **Elle peut ne pas assurer de protection contre l'ébullition en cas de défectuosité d'un autre dispositif de régulation de la température dans la tuyauterie.** Après avoir effectué le réglage nécessaire, veuillez inscrire l'information requise ci-dessous. La personne dont le nom figure ci-dessous a réglé cette soupape pour qu'elle puisse maintenir une température maximale sécuritaire. Toute modification du réglage peut entraîner une élévation de la température de l'eau s'écoulant par la douche ou dans la baignoire au delà de la limite considérée sécuritaire, ce qui pourrait causer un ébullition. Si cette étiquette n'a pas été remplie, vous devriez vous assurer que le bouton de température a été réglé en fonction des caractéristiques de votre installation. Le feuillet d'instruction fourni avec la soupape indique la marche à suivre pour effectuer le réglage.

TO BE FILLED OUT BY THE INSTALLER / PARA SER LLENADO POR EL INSTALADOR / A REMPLIR PAR L'INSTALLATEUR:

BY/POR/PAR _____ COMPANY/COMPANIA/COMPAGNIE _____
DATE/FECHA/LE _____ PHONE/TELÉFONO/TELÉPHONE _____





see what Delta can do™

MultiChoice® Valve Trim with Diverter Installation Instructions

Owners Manual

T27T Models

104439

Write purchased model number here.

You May Need

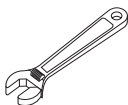
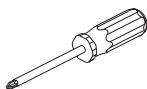


Table of Contents:

Warranties	Page 2
Installation Instructions	Pages 3 - 6
Clean and care	Page 7
Maintenance	Page 7
Cartridge Summary Reference Sheet	Page 7

To order replacement parts, visit www.deltafaucet.com

CAUTION: This system/device must be set by the installer to ensure safe, maximum temperature. Any change in the setting may raise the discharge temperature above the limit considered safe and may lead to hot water burns.

NOTICE TO INSTALLER: CAUTION!—As the installer of this valve, it is your responsibility to properly **INSTALL** and **ADJUST** this valve per the instructions given. This valve does not automatically adjust for inlet temperature changes, therefore, someone must make the necessary temperature knob adjustments at the time of installation and further adjustments may be necessary due to seasonal water temperature change. **YOU MUST** inform the owner/user of this requirement by following the instructions. If you or the owner/user are unsure how to properly make these adjustments please refer to page 5 and if still uncertain, call us at 1-800-345-DELTA.

After installation and adjustment, you must affix your name, company name and the date you adjusted the temperature knob to the caution

label provided and apply or attach the label to the back side of the closest cabinet door and the warning label to the water heater. **Leave this Instruction Sheet for the owner's/user's reference. WARNING:** This pressure balanced or thermostatic bath valve is designed to minimize the effects of outlet water temperature changes due to inlet pressure changes, commonly caused by dishwashers, washing machines, toilets and the like. It may not provide protection from hot water burns when there is a failure of other temperature controlling devices elsewhere in the plumbing system, if the temperature knob is not properly set or if the hot water temperature is changed after the settings are made or if the water inlet changes due to seasonal changes. **WARNING:** Do not install a shut-off device on either outlet of this valve. When this type of device shuts off the water flow, it can defeat the ability of the valve to balance the hot and cold water pressures.

Limited Warranty on Delta® Faucets

Parts and Finish. All parts (other than electronic parts and batteries) and finishes of this Delta® faucet are warranted to the original consumer purchaser to be free from defects in material and workmanship for as long as the original consumer purchaser owns the home in which the faucet was first installed. For commercial purchasers, the warranty period is ten (10) years for multi-family residential (apartments and condominiums) and five (5) years for all other commercial uses, in each case from the date of purchase.

Electronic Parts and Batteries (if applicable). Electronic parts (other than batteries), if any, of this Delta® faucet are warranted to the original consumer purchaser to be free from defects in material and workmanship for five (5) years from the date of purchase or, for commercial purchasers, for one (1) year from the date of purchase. No warranty is provided on batteries.

What We Will Do. Delta Faucet Company will repair or replace, free of charge, during the applicable warranty period (as described above), any part or finish that proves defective in material and/or workmanship under normal installation, use and service. If repair or replacement is not practical, Delta Faucet Company may elect to refund the purchase price in exchange for the return of the product. **These are your exclusive remedies.**

What Is Not Covered. Any labor charges incurred by the purchaser to repair, replace, install or remove this product are not covered by this warranty. Delta Faucet Company shall not be liable for any damage to the faucet resulting from reasonable wear and tear, outdoor use, misuse (including use of the product for an unintended application), freezing water, abuse, neglect or improper or incorrectly performed installation, maintenance or repair, including failure to follow the applicable care and cleaning instructions. Delta Faucet Company recommends using a professional plumber for all installation and repair of faucets. We also recommend that you use only genuine Delta® replacement parts.

What You Must Do To Obtain Warranty Service or Replacement Parts. A warranty claim may be made and replacement parts may be obtained by calling 1 800 345 DELTA (3358) or by contacting us by mail or online as follows (please include your model number and date of purchase):

In the United States and Mexico:

Delta Faucet Company
Product Service
55 E. 111th Street
Indianapolis, IN 46280
Attention: Customer Solutions
www.deltafaucet.com/service-parts/contact-us

In Canada:

Masco Canada Limited, Plumbing Group
Technical Service Centre
350 South Edgeware Road
St. Thomas, Ontario, Canada N5P 4L1
Attention: Customer Service
<http://www.deltafaucet.ca/customersupport/assistance.html>

Proof of purchase (original sales receipt) from the original purchaser must be made available to Delta Faucet Company for all warranty claims unless the purchaser has registered the product with Delta Faucet Company. This warranty applies only to Delta® faucets manufactured after January 1, 1995 and installed in the United States of America, Canada and Mexico.

Limitation on Duration of Implied Warranties. TO THE EXTENT PERMITTED BY LAW, ANY IMPLIED WARRANTY, INCLUDING THE IMPLIED WARRANTIES OF MERCHANTABILITY AND OF FITNESS FOR A PARTICULAR PURPOSE, IS LIMITED TO THE STATUTORY PERIOD OR THE DURATION OF THIS WARRANTY, WHICHEVER IS SHORTER. Some states/provinces do not allow limitations on how long an implied warranty lasts, so the above limitation may not apply to you.

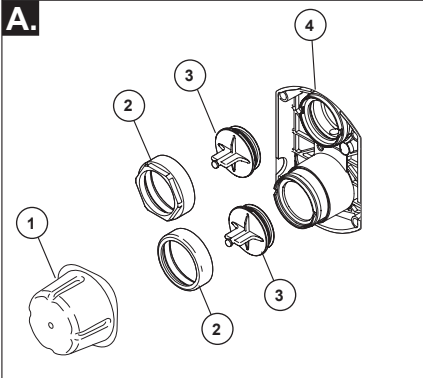
Limitation of Special, Incidental or Consequential Damages. DELTA FAUCET COMPANY SHALL NOT BE LIABLE FOR ANY SPECIAL, INCIDENTAL OR CONSEQUENTIAL DAMAGES (INCLUDING LABOR CHARGES TO REPAIR, REPLACE, INSTALL OR REMOVE THIS PRODUCT), WHETHER ARISING OUT OF BREACH OF ANY EXPRESS OR IMPLIED WARRANTY, BREACH OF CONTRACT, TORT, OR OTHERWISE. DELTA FAUCET COMPANY SHALL NOT BE LIABLE FOR ANY DAMAGE TO THE FAUCET RESULTING FROM REASONABLE WEAR AND TEAR, OUTDOOR USE, MISUSE (INCLUDING USE OF THE PRODUCT FOR AN UNINTENDED APPLICATION), FREEZING WATER, ABUSE, NEGLIGENCE OR IMPROPER OR INCORRECTLY PERFORMED INSTALLATION, MAINTENANCE OR REPAIR, INCLUDING FAILURE TO FOLLOW THE APPLICABLE INSTALLATION, CARE AND CLEANING INSTRUCTIONS. Some states/provinces do not allow the exclusion or limitation of special, incidental or consequential damages, so the above limitations and exclusions may not apply to you. Notice to residents of the State of New Jersey: The provisions of this warranty, including its limitations, are intended to apply to the fullest extent permitted by the laws of the State of New Jersey.

Additional Rights. This warranty gives you specific legal rights, and you may also have other rights which vary from state/province to state/province.

This is Delta Faucet Company's exclusive written warranty and the warranty is not transferable.

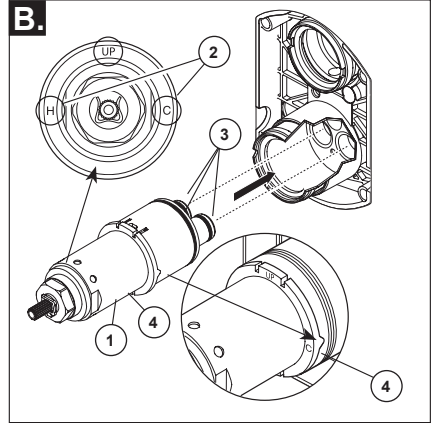
If you have any questions or concerns regarding our warranty, please contact us as provided above or view our Warranty FAQs at www.deltafaucet.com.

1 Cartridge Installation



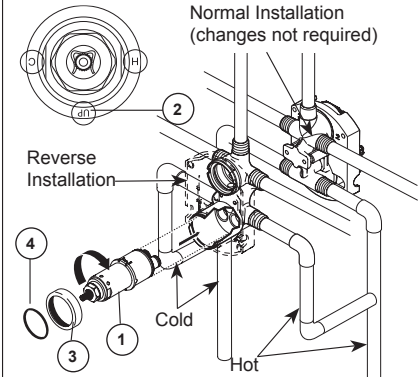
Turn off water supplies. Remove cover (1), bonnet nuts (2) and test caps (3) from the rough-in body (4).

Place a bucket or small container over the front of the valve body and slowly open the water supplies to flush any debris from the supply lines before installing the cartridge. Turn the water supplies back off.

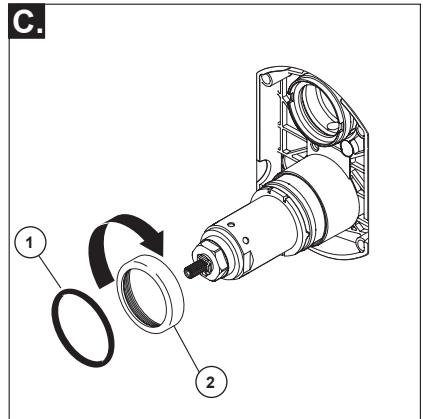


Rotate the valve cartridge (1) so that "H" (2) is on the hot side and the "C" (2) is on the cold side. Add silicone lube to the three o-rings (3) shown above to make the cartridge easier to install and remove from the valve body. Insert cartridge into valve body as shown. Ensure the keys on the body are fully engaged with the slots in the rough-in body (see step B). A light coating of plumbers grease applied to o-rings may aid in assembly.

Back to back Installation



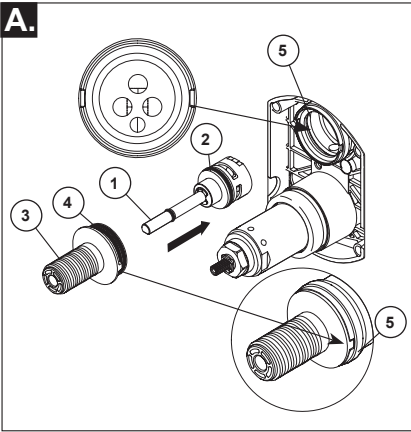
For the exceptions of back to back or reverse installations (hot on right and cold on left) only: Rotate valve cartridge (1) so "H" is on the hot side and "C" is on the cold side and the word "UP" (2) appears on the bottom. Apply silicone lube to the three o-rings shown above to make the cartridge easier to install and remove from the rough-in body. Install the cartridge making sure that the keys are fully engaged with the slot in the rough-in body (see step B). Slide o-ring (3) and bonnet nut (4) over the cartridge and thread onto the rough-in body. Hand tighten securely.



Thread bonnet nut (2) onto cartridge. Hand tighten securely. Slide o-ring (1) over the cartridge and bonnet.

Installation

2 Diverter Cartridge Installation



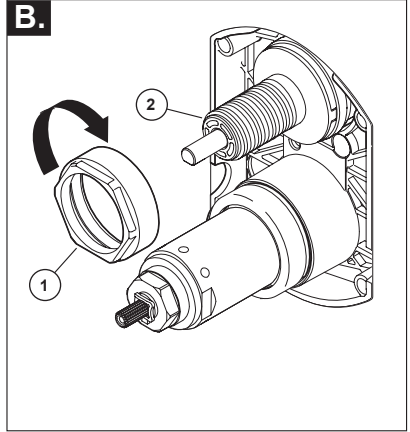
For Diverter Cartridge Installation:

Apply silicone lube to the o-ring (2) to make the diverter sleeve (3) easier to install diverter cartridge.

Rotate the diverter cartridge (1) so the pin is at the bottom for proper installation.

Apply silicone lube to the o-rings (4) to make the diverter sleeve (3) easier to install diverter cartridge.

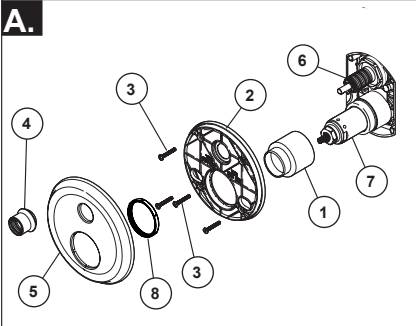
Align diverter sleeve so that the notches are in the same position as the notches on rough-in body (5).



Diverter Bonnet Installation

Slide bonnet nut (1) over diverter sleeve (2) and thread into rough-in body. Hand tighten securely.

3 Trim Installation



Escutcheon Installation

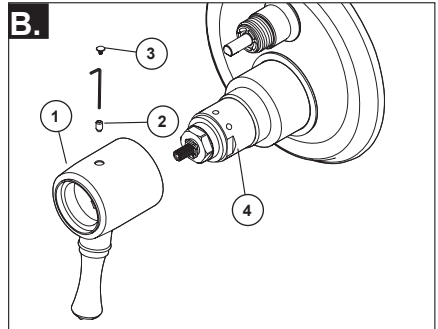
For finished walls up to 1 1/8". Install trim sleeve (1) over valve cartridge (7) and bonnet. Secure backplate (2) to rough-in body using 4 screws (3) provided.

Note: Be sure backplate is oriented front side forward and markings are visible.

Holding escutcheon (5) in place, thread trim nut (4) onto diverter sleeve (6).

Note: For thick wall installations, order installation kit RP90544 to support finished wall thickness up to 2 1/8".

On rough or uneven surfaces it is necessary to apply caulk around the backplate (2) to supplement the seal. Do not caulk the drip notch in the bottom of the backplate (2). Do not caulk the escutcheon (5).

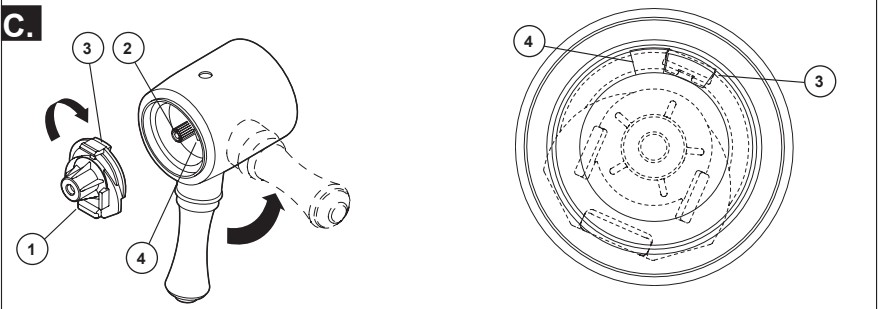


Volume Handle Installation

Install valve handle (1) over cartridge (4), screw in set screw (2) using an allen wrench.

Place set screw cover (3) over set screw and apply pressure until cover is properly seated.

Installation and Adjustment of the Temperature Knob. Failure to do so may cause injury.



Adjust temperature limit stop

Turn on water supplies; LET THE WATER RUN AT BOTH FULL HOT AND FULL COLD TO ENSURE THE WATER IS RUNNING AS HOT/COLD AS POSSIBLE. Place a thermometer in a plastic tumbler, and hold the tumbler in the water stream. Place the temperature knob (1) onto the splines (2), then rotate the temperature knob counter-clockwise until you achieve your maximum desired temperature from the outlet (not more than 120° or the lower temperature mandated by your local plumbing code).

If max temperature is not achieved before limit

stop (3) on temperature knob (1) meets the limit stop (4) on the volume control handle. Remove the temperature control knob (1) from splines (2). Rotate temperature control knob (1) clockwise. Place temperature control knob (1) back onto splines (2) and continue to rotate counter-clockwise until maximum desired temperature is achieved. Remove the temperature knob (1) and replace onto the splines (2), making sure that the temperature knob limit stop (3) hits against the volume handle limit stop (4) as shown.

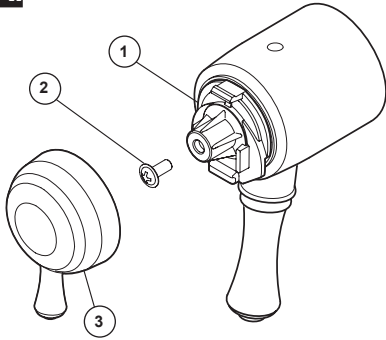
Installation

4

Valve Trim Installation

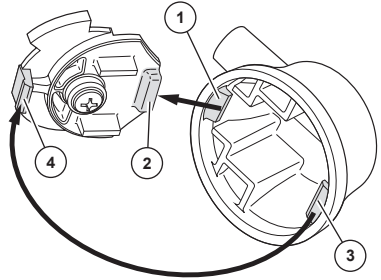
Temperature Handle Installation Step A or A1.
Diverter Handle Installation Step B.

A.



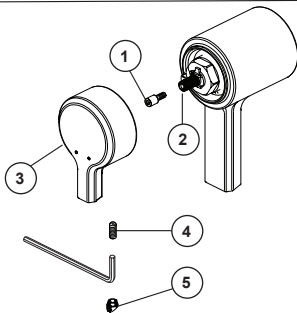
Temperature handle Installation

Secure temperature control knob (1) with screw (2). See next step for securing temperature control cover (3).



Snap temperature control cover over temperature control knob by first aligning smaller tab (1) on cover with receiving slot (2) on temperature knob. Swing larger tab (3) to engage with snap feature (4). Note: If dis-assembly is required, reverse this motion, disengaging larger tab (3) from snap feature (4) first.

A1.

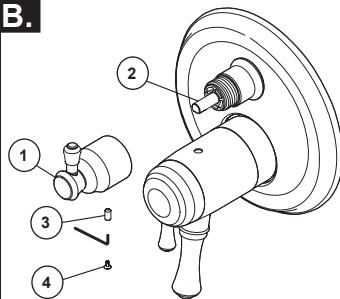


T27T899 & T27T999 Series

Temperature handle Installation

Attach spacer screw (1) to valve stem (2). Slide temperature control handle (3) into place over spacer screw (1). Install set screw (4) using an allen wrench, place set screw cover (5) over set screw and apply pressure until cover is properly seated.

B.



Diverter Handle Installation

Slide diverter handle (1) onto diverter cartridge stem (2), ensure that handle aligns with cartridge stem. Install set screw (3) using an allen wrench. Place set screw cover (4) over set screw and apply pressure until cover is properly seated.

5

Potential scald or thermal shock injury could result due to cross flow if outlet at the shower is blocked or restricted (e.g., pause control on showerhead). Be sure to point showerhead away from you when re-starting flow or install inlet check valves on both supply lines to prevent possible injury.

Cleaning and Care

Care should be given to the cleaning of this product. Although its finish is extremely durable, it can be damaged by harsh abrasives or polish. To clean, simply wipe gently with a damp cloth and blot dry with a soft towel.

Maintenance

Cannot receive more than a trickle of water:

Both hot and cold supply lines must be pressurized. If only one side is pressurized, the system will not allow adequate flow of water.

Faucet leaks from showerhead: Remove the showerhead then turn the water on and off to verify if the cartridge is leaking or the showerhead is draining slowly (the showerhead may need to be cleaned if water drains slowly).

If leak persists -SHUT OFF WATER SUPPLIES
Replace cartridge assembly - RP47201.

Unable to set or maintain mixed water temperature:
SHUT OFF WATER SUPPLIES. Remove handle assembly, trim sleeve, and bonnet nut. Check to make sure the "H" marking on the cartridge aligns with the hot inlet and the "C" marking on the cartridge aligns with the cold inlet to the valve body. The thermostatic cartridge cannot function if hot and cold inlets are reversed.

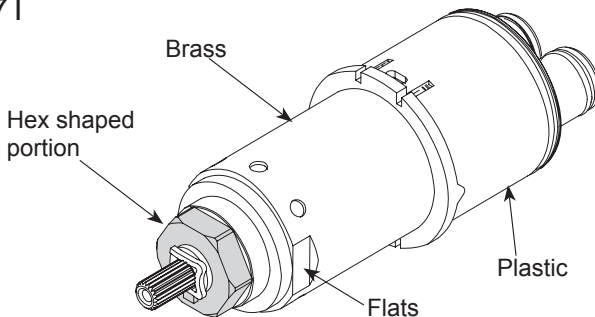
Low flow:

Low flow may be caused by clogged screens within the thermostatic cartridge. To clean the hot and cold screens in the cartridge, follow the steps below:

1. SHUT OFF WATER SUPPLIES.
2. Remove the handle assembly.
3. Unscrew the hex shaped portion of the cartridge from the brass section of the cartridge. The brass section must be held securely by the flats while the hex is rotated counter-clockwise. Failure to secure the brass section while rotating the hex can result in damage to the cartridge. (See illustration below)
4. Carefully clean any debris from the screens under running water. If the debris is difficult to remove then soak the screens overnight in a 50% water and 50% vinegar solution.
5. Reassemble the cartridge.
6. Replace the handle.
7. Turn the water back on.
8. Reset the limit stop before using the valve.

Cartridge Summary Reference Sheet

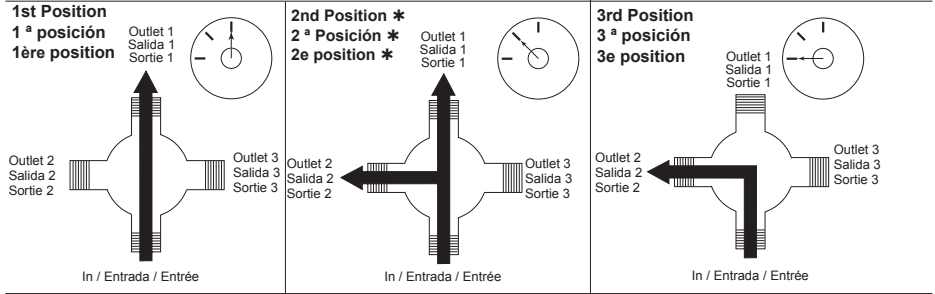
T27T



**Order RP47201 to
Replace Cartridge.**

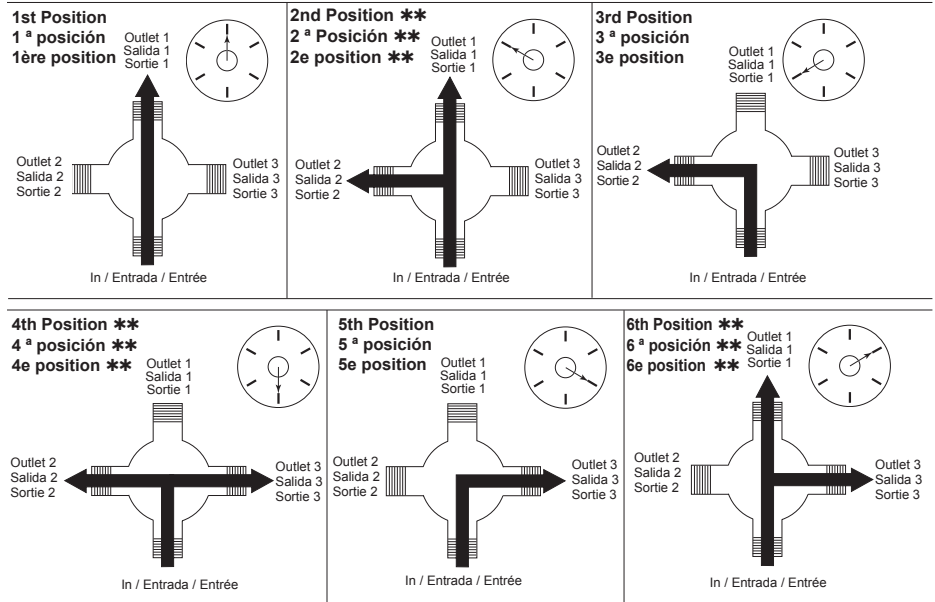
Diverter Handle Reference Sheet

Water Flow For 3 Function Diverter / Flujo de agua para Desviadores de 3 posiciones / Écoulement de l'eau pour les inverseurs à 3 positions



- * Shared positions do not exist in non-shared cartridges.
- * Los ajustes o posiciones compartidas no existen en los cartuchos no-compartidos.
- * Comme leur nom l'indique, les cartouches sans position partagée ne comportent aucune position partagée.

Water Flow For 6 Function Diverter / Flujo de agua para Desviadores de 6 posiciones / Écoulement de l'eau pour les inverseurs à 6 positions



- ** Shared positions do not exist in non-shared cartridges.
- ** Los ajustes o posiciones compartidas no existen en los cartuchos no-compartidos.
- ** Comme leur nom l'indique, les cartouches sans position partagée ne comportent aucune position partagée.



see what Delta can do™

Ajuste o accesorio de la válvula MultiChoice® con instrucciones de instalación del desviador

Manual del propietario

Modelos T27T

104439

Escriba el número del modelo comprado.

Puede requerir

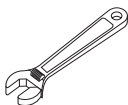
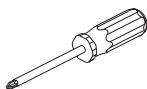


Table of Contents:

Garantías es	Página 2
Instrucciones para la instalación	Páginas 3 - 6
Limpieza y cuidado	Página 7
Mantenimiento	Página 7
Hoja de referencia del resumen del cartucho	Página 7

Para ordenar las piezas de repuesto use, visítenos www.deltafaucet.com

ADVERTENCIA: Este sistema/dispositivo debe estar configurado por el instalador para asegurar una temperatura máxima segura. Cualquier cambio en el ajuste puede aumentar la temperatura de descarga por encima del límite considerado seguro y puede resultar en quemaduras por agua caliente.

AVISO PARA EL INSTALADOR: Esta válvula no se ajusta automáticamente a los cambios de temperatura de entrada, por lo tanto, alguien debe hacer los ajustes necesarios con la perilla de control de temperatura en el momento de la instalación y ajustes adicionales pueden ser necesarios debido a cambios estacionales de la temperatura del agua. **USTED DEBE** informar al propietario/ usuario de este requisito siguiendo las instrucciones. Si usted o el dueño/consumidor no está seguro de como hacer estos ajustes, consulte la página 5 y si aún tiene duda, llámenos al 1-877-345-DELTA.

Después de la instalación y el ajuste, debe colocar su nombre, nombre de la empresa y la fecha en que ajustó la perilla de control de la temperatura a la etiqueta de precaución proporcionada y aplique o pegue la etiqueta en la parte trasera de la puerta del armario más cercano y la etiqueta de advertencia al calentador de agua.

Deje esta hoja de instrucciones para referencia del propietario /usuario. **ADVERTENCIA:** Esta válvula de presión balanceada o termostática de baño está diseñada para minimizar los efectos de los cambios

de temperatura del agua de salida debido a cambios de presión y temperatura, causados habitualmente por los lavaplatos, las lavadoras, los inodoros y otros aparatos similares. Puede no ofrecer protección contra las quemaduras por agua caliente cuando hay un fallo de otros dispositivos para el control de temperatura en otras partes del sistema de plomería, si la perilla para el control de la temperatura no está configurada correctamente o si se cambia la temperatura del agua caliente después de realizar los ajustes o si el agua admisión cambia debido a los cambios estacionales. **ADVERTENCIA:** No instale un dispositivo de cierre en cualquiera de las tuberías de salida de agua de esta válvula. Cuando este tipo de dispositivo cierra el flujo del agua, pueda aminorar el propósito de la válvula para balancear las presiones del agua caliente y fría.

Garantía Limitada en las Llaves de Agua de Delta®

Piezas y Acabado. Todas las piezas (excepto los componentes electrónicos y las pilas) y acabados de esta llave de agua/grifo Delta® Faucet están garantizadas al consumidor comprador original de estar libres de defectos en material y fabricación durante el tiempo que el comprador original sea propietario de la vivienda en la que la llave de agua fue originalmente instalada. En el caso de los consumidores comerciales, el período de garantía es de diez (10) años en residencias multi-familiares (apartamentos y condominios) y cinco (5) años para todos los otros usos comerciales, en cada caso a partir de la fecha de compra.

Piezas electrónicas y pilas (si aplicable). Las piezas electrónicas (excepto las pilas), si las hay, de esta llave de agua/grifo Delta® están garantizadas al consumidor comprador original de estar libres de defectos en material y fabricación durante cinco (5) años a partir de la fecha de compra o para los consumidores comerciales, por un (1) año a partir de la fecha de compra. No se proporciona garantía para las pilas.

Lo que haremos. La compañía Delta Faucet Company reparará o reemplazará, sin costo alguno, durante el período de garantía aplicable (como descrito arriba) cualquier pieza o acabado que demuestre ser defectuosa en material y/o fabricación bajo la instalación, el uso y el servicio normal. Si la reparación o el reemplazo no es práctico, Delta Faucet Company puede optar por reembolsarle el precio de compra a cambio de la devolución del producto. Estos son sus remedios exclusivos.

Lo que no está cubierto. La garantía no cubre los costos de mano de obra incurridos por el comprador para reparar, reemplazar, instalar o desmontar este producto. Delta Faucet Company no será responsable por cualquier daño al grifo que resulte del desgaste razonable, uso indebido, (incluyendo el uso del producto para una aplicación indebida), agua helada, abuso negligencia o la instalación, el mantenimiento o la reparación realizadas incorrectamente, incluido el incumplimiento de las instrucciones de cuidado y limpieza correspondientes. También recomendamos que use solo piezas de repuestos originales Delta®.

Lo que usted debe hacer para obtener servicio de garantía o piezas de repuesto. Se puede hacer un reclamo para la garantía y se pueden obtener piezas de repuesto llamando al 1-800-345-DELTA (3358) o contactándonos por correo postal o electrónico como indicado (favor incluya el número del modelo y la fecha de compra):

En los Estados Unidos y México:

Delta Faucet Company
Product Service
55 E. 111th Street
Indianapolis, IN 46280
Attention: Customer Solutions
www.deltafaucet.com/service-parts/contact-us

En Canadá:

Masco Canada Limited, Plumbing Group
Technical Service Centre
350 South Edgeware Road
St. Thomas, Ontario, Canada N5P 4L1
Attention: Customer Service
<http://www.deltafaucet.ca/customersupport/assistance.html>

El comprobante de compra (recibo de venta original) del comprador original debe estar disponible a Delta Faucet Company para todos los reclamos de garantía a menos que el comprador haya registrado el producto con Delta Faucet Company. Esta garantía se aplica solo a las llaves de agua/grifos Delta® instalados en los Estados Unidos de América, Canadá y México después de enero 1, 1995.

La limitación de la duración de las garantías implícitas. HASTA EL ALCANCE EN QUE LA LEY LO PERMITA, CUALQUIER GARANTÍA IMPLÍCITA, INCLUIDAS LAS GARANTÍAS IMPLÍCITAS DE COMERCIABILIDAD Y DE IDONEIDAD PARA UN PROPÓSITO PARTICULAR, ESTÁ LIMITADA AL PERÍODO LEGAL O A LA DURACIÓN DE ESTA GARANTÍA, LO QUE SEA MÁS CORTO. Algunos estados/provincias no permiten la limitación de la duración de una garantía implícita por lo que limitación arriba puede no aplicarle.

Limitación de daños especiales, incidentales o consiguientes. DELTA COMPANY NO SERÁ RESPONSABLE POR NINGÚN DAÑO ESPECIAL, INCIDENTAL O CONSIGUIENTE (INCLUYENDO LOS GASTOS DE MANO DE OBRA PARA REPARAR, REEMPLAZAR, INSTALAR O DESMONTAR ESTE PRODUCTO), YA SEA RESULTADO DEL INCUMPLIMIENTO DE CUALQUIER GARANTÍA EXPRESA O IMPLÍCITA, INCUMPLIMIENTO DE CONTRATO, AGRAVIO O DE OTRA MANERA. DELTA FAUCET COMPANY NO SE RESPONSABILIZARÁ POR CUALQUIER DAÑO AL GRIFO QUE RESULTE DEL DESGASTE RAZONABLE, USO INDEBIDO, USO EN EL EXTERIOR DE LA PROPIEDAD, USO INDEBIDO (INCLUYENDO EL USO DEL PRODUCTO PARA UNA APLICACIÓN INDEBIDA), AGUA HELADA, ABUSO, NEGLIGENCIA O INSTALACIÓN O MANTENIMIENTO INADECUADO O INCORRECTO, INCLUYENDO EL NO SEGUIR LAS INSTRUCCIONES CORRESPONDIENTES PARA EL CUIDADO, LA LIMPIEZA Y EL MANTENIMIENTO. Algunos estados/provincias no permiten la exclusión o limitación de daños especiales, incidentales o consiguientes, por lo que estas limitaciones y exclusiones pueden no aplicar en su caso. Aviso para los residentes del estado de New Jersey: Las disposiciones de este documento tienen la intención de aplicarse en la máxima medida permitida por las leyes del estado de New Jersey.

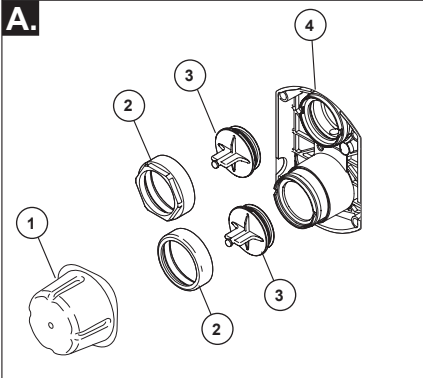
Derechos adicionales. Esta garantía le otorga derechos legales específicos, y también puede tener otros derechos que varían de estado/provincia a estado/provincia.

Esta es la garantía escrita exclusiva de Delta Faucet Company y la garantía no es transferible.

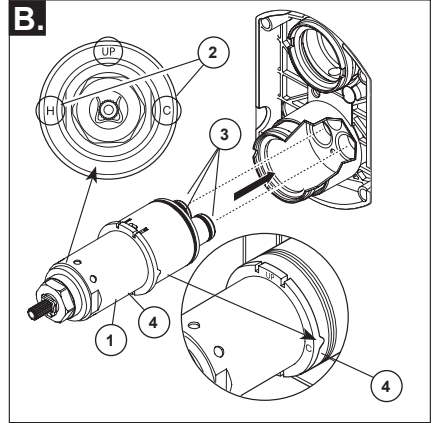
Si tiene preguntas o dudas con respecto a nuestra garantía, por favor comuníquese con nosotros como se indica anteriormente o consulte nuestras Preguntas Frecuentes (FAQ) en www.deltafaucet.com.

© 2019 Delta Faucet Company

1 Instalación del cartucho

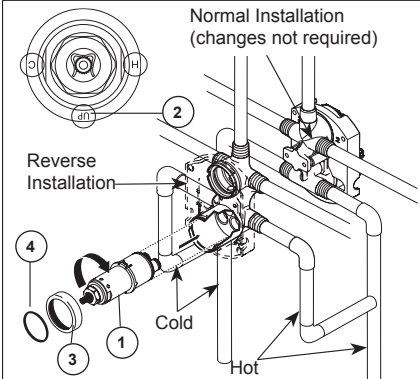


Cierre los suministros de agua. Quite la tapa (1), las tuercas tapas (2) y las tapas de prueba (3) del cuerpo de la tubería preliminar detrás de la pared (4). Coloque una cubeta o recipiente pequeño sobre el frente del cuerpo de la válvula y abra lentamente los suministros de agua para eliminar cualquier residuo de las líneas de suministro antes de instalar el cartucho. Cierre otra vez el agua de suministro.



Gire el cartucho de válvula (1) de modo que la "H" (2) esté en el lado caliente y la "C" (2) está en el lado frío. Agregue lubricante de silicona a las tres juntas tóricas (3) que se muestran arriba para facilitar la instalación del cartucho y retirar del cuerpo de la válvula. Inserte el cartucho en el cuerpo de la válvula como se muestra. Asegúrese de que los dentados en el cuerpo están totalmente encajados en las ranuras en el cuerpo (4). La aplicación de una ligera capa de grasa de plomeros a las juntas tóricas puede facilitar el montaje.

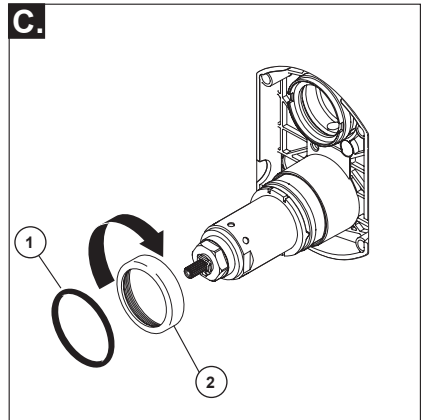
Instalación dorso con dorso



Solo para las excepciones de dorso con dorso o instalaciones inversas (caliente en la derecha y fría en la izquierda): Gire el cartucho de la válvula (1) de forma que "HOT COLD" (2) aparezcan abajo.

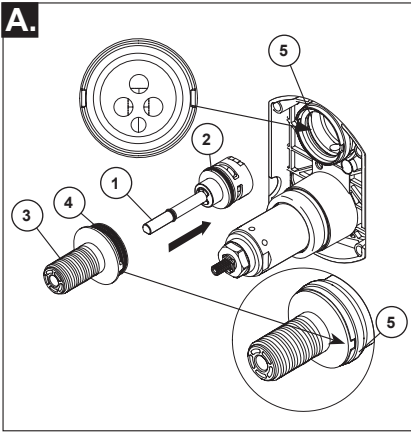
Aplique lubricante de silicona en las tres juntas tóricas mostradas para facilitar la instalación del cartucho y quitar del cuerpo de la tubería preliminar. Instale el cartucho asegurándose de que los dentados están totalmente encajados en la ranura en el cuerpo de la tubería preliminar (véase el paso B).

Deslice la junta tórica (3) y la tuerca tapa (4) sobre el cartucho y enrosque en el cuerpo de la tubería preliminar. Apriete con la mano de forma segura.



Enrosque la tuerca tapa (2) en el cartucho. Apriete a mano de forma segura. Deslice la junta tórica (1) sobre el cartucho y el casquete.

2 Instalación del cartucho desviador



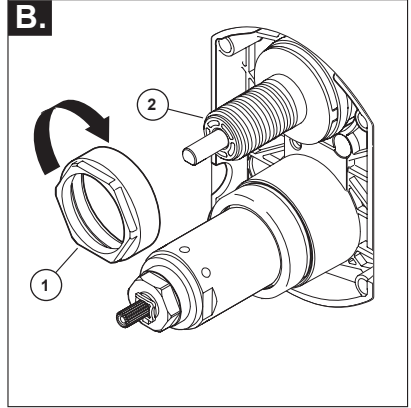
PARA LA INSTALACIÓN DEL CARTUCHO DE DESVÍO:

Aplique lubricante de silicona a la junta tórica (2) para facilitar la instalación del cartucho desviador con el casquillo desviador (3).

Gire el cartucho desviador (1) de manera que el pasador esté en la parte inferior para su instalación correcta.

Aplique lubricante de silicona a las juntas tóricas (4) para facilitar el casquillo desviador (3) más fácil de instalar el cartucho de desvío.

Alinee el casquillo desviador (3) de manera que las lengüetas estén en la misma posición que las ranuras en el cuerpo de la tubería preliminar (5).



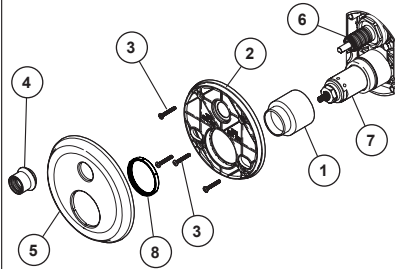
Instalación Del desviador De bonete

Deslice la tuerca tapa (1) sobre el casquillo desviador (2) y atorníllelo en el cuerpo de la tubería preliminar

Apriete con la mano de forma segura.

3 Instalación de los accesorios

A.



Instalación del chapetón

Para paredes acabadas de un grosor hasta 1 1/8". Instale el casquillo del accesorio (1) sobre el cartucho de la válvula (7) y el casquete. Fije la placa posterior (2) al cuerpo de la unidad de la tubería preliminar usando los 4 tornillos (3) proporcionados.

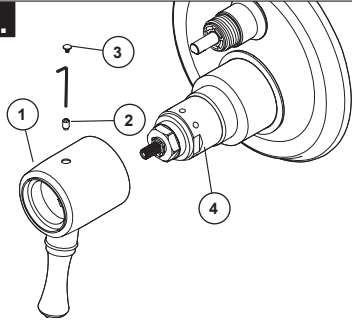
Nota: asegúrese que la placa trasera está colocada con el frente hacia adelante y con las marcas visibles.

Sujetando el chapetón (5) en su sitio, enrosque la tuerca del accesorio (4) en el casquillo del desviador (6).

Nota: para instalaciones en paredes gruesas, ordene el juego de piezas RP90544 para soporte de la pared acabada hasta de 2 1/8" de grosor.

En superficies rugosas o desiguales, es necesario aplicar masilla alrededor de la placa posterior (2) para complementar el sello. No calafatee la muesca de goteo en la arte inferior de la chapa posterior (2). No calafatee el chapetón (5).

B.

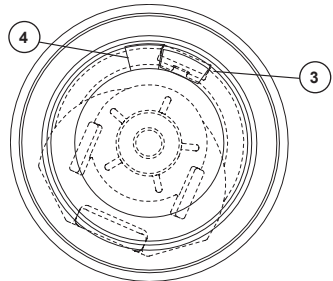
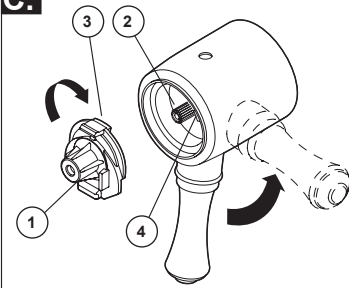


Instalación de la manija para el volumen

Instale la manija de la válvula (1) sobre el cartucho (4), atomille el tornillo de fijación (2) con una llave allen. Coloque la tapa del tornillo de fijación (3) sobre el tornillo de fijación (1) y aplique presión hasta que quede bien asentada.

Instalación y ajuste de la perilla de temperatura. De lo contrario, puede causar lesiones.

C.



¡Ajuste el tope del límite de la temperatura!

Abra los suministros de agua; DEJE QUE EL AGUA CALIENTE Y FRÍA FLUYA PARA ASEGURAR QUE EL AGUA CORRA LO MÁS CALIENTE/FRÍA POSIBLE. Coloque un termómetro en un vaso plástico, y sostenga el vaso bajo el chorro de agua. Coloque la perilla del control de la temperatura (1) en las ranuras (2) y gire la manija de temperatura hasta que logre su máxima temperatura deseada de la toma de agua (no más de 120° o la temperatura más baja autorizada por su código local de plomería). Si la temperatura máxima no se alcanza antes de llegar al tope del límite (3) en el control de la

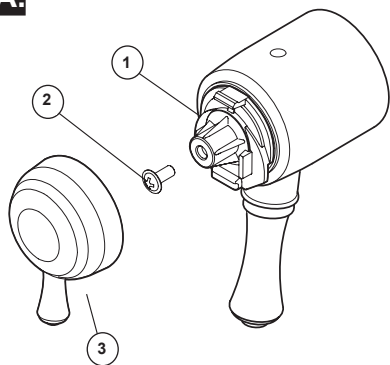
temperatura (1) donde tropieza con el tope del límite rotacional (4) en la manija del control de volumen. Retire la perilla del control de temperatura (1) de las ranuras (2). Gire la perilla del control de temperatura (1) hacia la derecha. Coloque la perilla del control de temperatura (1) otra vez en las ranuras (2) y continúe girando hacia la izquierda hasta que alcanza la temperatura máxima deseada. Quite el pomo de la temperatura (1) y colóquela otra vez en las ranuras (2), asegurándose que el pomo del tope del límite de la temperatura (3) pegue contra la manija del tope del límite del volumen (4) como se muestra.

Instalación

4 Instalación de los accesorios

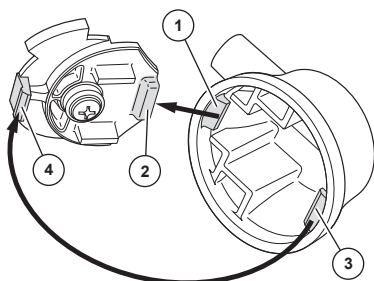
Instalación de la manija de temperatura Paso A o A1. Instalación de la manija del desviador Paso B.

A.



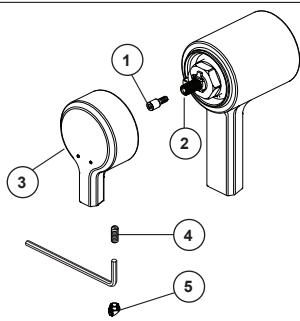
Instalación de la manija de temperatura

Fije la perilla de control de temperatura (1) con el tornillo (2). Vea el siguiente paso para fijar la cubierta del control de temperatura (3).



Coloque a presión la tapa del control de temperatura sobre el pomo del control de temperatura alineando primero la lengüeta más pequeña (1) con la muesca para encajar en la cubierta (2) ubicada en el pomo de temperatura. Gire la lengüeta más grande (3) para que encaje con el mecanismo de presión (4).
Nota: Si requiere desarmar, repita estos pasos en reverso, desencajando primero la lengüeta más grande (3) del mecanismo de presión (4).

A1.

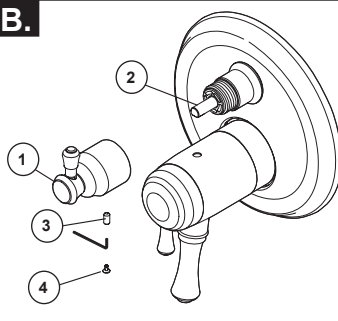


Series T27T899 y T27T999

Instalación de la manija de temperatura

Fije el tornillo separador (1) a la espiga de la válvula (2). Deslice la manija de temperatura (3) en su lugar sobre el tornillo separador (1). Instale el tornillo de fijación (4) con una llave allen, coloque la tapa del tornillo de fijación (5) sobre el tornillo de fijación y aplique presión hasta que la tapa quede correctamente asentada.

B.



Instalación de la manija del

Deslice la manija del desviador (1) sobre la manga de la espiga del desviador (2), asegure que la manija está en línea con la espiga del cartucho. Inserte el tornillo de fijación (3) usando una llave allen, en la manija (1). Aplicando presión, inserte la tapa del tornillo de ajuste (4) hasta que esté correctamente asentada.

5

Existe la posibilidad de lesión por escaldadura o de choque térmico resultante de un flujo cruzado en el caso que la salida de la regadera/ducha está bloqueada o restringida (por ejemplo, pause el control de la cabeza de la regadera/ducha). Asegúrese de apuntar la regadera/ducha alejado de usted cuando vuelva a iniciar el flujo o instale las válvulas de retención de la entrada en ambas líneas de suministro para evitar posibles lesiones.

Limpeza y Cuidado

Tenga cuidado al ir a limpiar este producto, Aunque su acabado es sumamente durable, puede ser afectado por agentes de limpieza o para pulir abrasivos. Para limpiar su llave, simplemente frótelas con un trapo húmedo y luego séquela con una toalla suave.

Mantenimiento

No puede recibir más de fino chorro de agua:

ambas líneas de suministro, caliente y fría, deben estar presurizadas. Si se presuriza solamente un lado, el sistema no permitirá que salga un flujo adecuado de agua.

La llave tiene filtraciones/fugas de agua desde la

regadera: Retire la cabeza de la regadera y luego abra y cierre el agua para verificar si el cartucho tiene una fuga o la regadera se está drenando lentamente (la cabeza de la regadera puede requerir limpieza si el agua se drena lentamente).

Si persiste la fuga – CIERRE LOS SUMINISTROS DE AGUA Reemplace del ensamble del cartucho - RP47201.

No se puede establecer o mantener la temperatura del agua mixta:

CIERRE LOS SUMINISTROS DE AGUA. Retire el ensamble de la manija, el casquillo del accesorio, y la tuerca tapa. Examine para asegurarse de que la marca "H" en el cartucho está en línea con la entrada de agua caliente y la marca "C" en el cartucho se alinea con la entrada de agua fría al cuerpo de la válvula. La válvula termostática de cartucho no puede funcionar si las entradas de agua caliente y fría se invierten.

Flujo bajo: el flujo bajo puede ser por causa de obstrucciones en los filtros dentro del cartucho termostático. Para limpiar las rejillas o filtros del agua

caliente y fría en el cartucho, siga los siguientes pasos:

1. CIERRE LOS SUMINISTROS DE AGUA.

2. Retire el ensamble de la manija.

3. Desatornille la porción en forma hexagonal del

cartucho de la sección de bronce del cartucho.

La sección de bronce debe mantenerse fija por los cortados planos mientras que la sección hexagonal se gira hacia la izquierda. Si no fija la sección de bronce mientras que gira la parte hexagonal puede resultar en daño al cartucho.

(Vea la ilustración a continuación)

4. Limpie cuidadosamente los residuos de los filtros bajo el chorro de agua. Si los residuos son difíciles de eliminar, entonces deje los filtros remojo durante la noche en una solución del 50% de agua y 50% de vinagre.

5. Vuelva a ensamblar el cartucho.

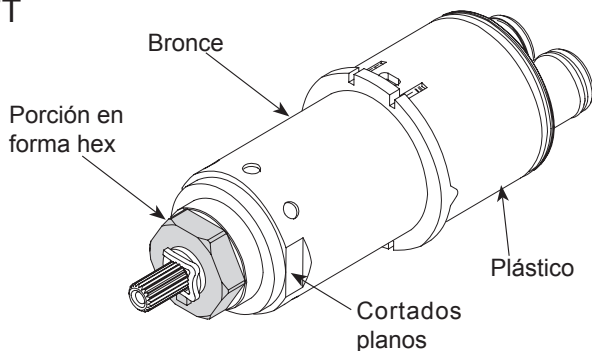
6. Vuelva a colocar la manija.

7. Abra el flujo de agua otra vez.

8. Restablezca el tope del límite antes de utilizar la válvula.

Hoja de resumen de referencia del cartucho

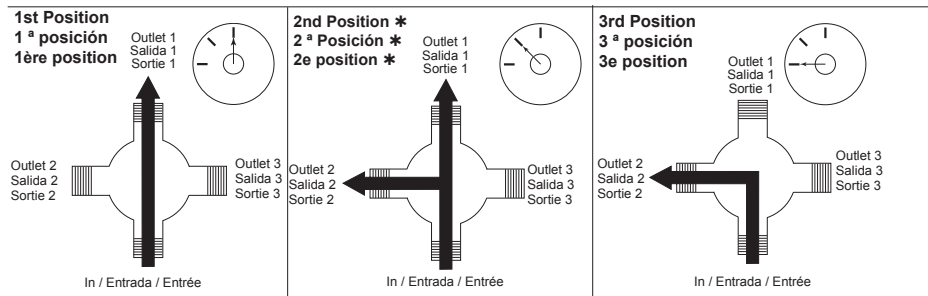
T27T



**Ordene el Repuesto RP47201
para cambiar el cartucho.**

Hoja de referencia para la manija desviadora

Water Flow For 3 Function Diverter / Flujo de agua para Desviadores de 3 posiciones / Écoulement de l'eau pour les inverseurs à 3 positions

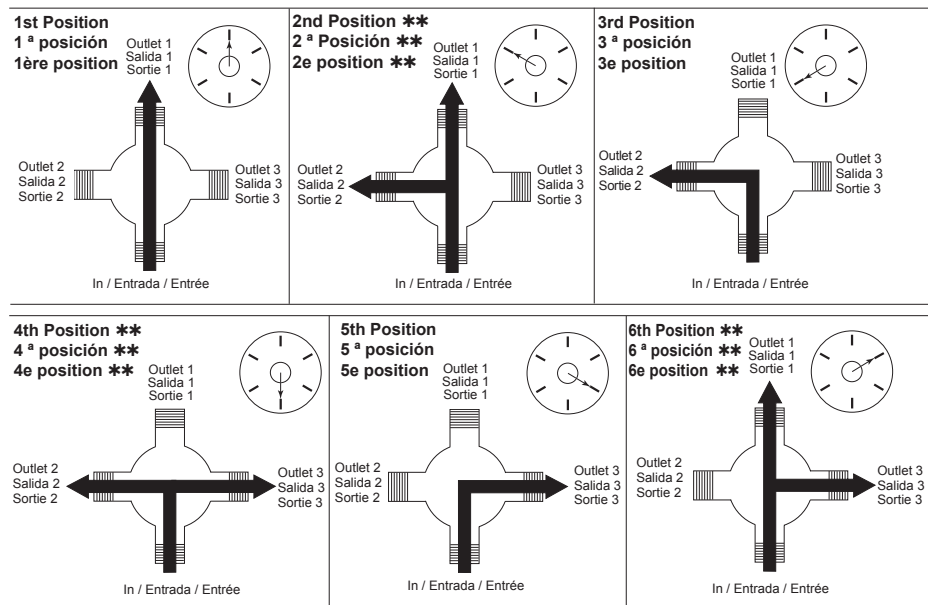


* Shared positions do not exist in non-shared cartridges.

* Los ajustes o posiciones compartidas no existen en los cartuchos no-compartidos.

* Comme leur nom l'indique, les cartouches sans position partagée ne comportent aucune position partagée.

Water Flow For 6 Function Diverter / Flujo de agua para Desviadores de 6 posiciones / Écoulement de l'eau pour les inverseurs à 6 positions



** Shared positions do not exist in non-shared cartridges.

** Los ajustes o posiciones compartidas no existen en los cartuchos no-compartidos.

** Comme leur nom l'indique, les cartouches sans position partagée ne comportent aucune position partagée.



see what Delta can do™

Instructions d'installation Soupape MultiChoice® avec inverseur

Manuel d'utilisation

Modèles T27T

104439

Inscrivez le numéro du modèle acheté ici.

Ce dont vous pouvez avoir besoin

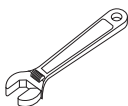
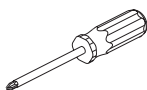


Table des matières:

Garanties	Page 2
Instructions d'installation	Pages 3 - 6
Nettoyage et entretien.....	Page 7
Maintenance	Page 7
Fiche de référence sommaire de la cartouche.....	Page 7

Pour obtenir de l'information sur d'autres pièces de rechange, visitez : www.deltafaucet.com

ATTENTION : Ce système ou cet appareil doit être réglé par l'installateur pour que sa température maximale soit sans danger. Tout changement du réglage peut entraîner une hausse de température au delà de la limite considérée sécuritaire et occasionner l'ébullition.

AVIS À L'INSTALLATEUR: ATTENTION! - En qualité d'installateur de cette soupape, vous avez la responsabilité de L'INSTALLER et de la RÉGLER correctement selon les instructions fournies. Cette soupape ne s'adapte pas automatiquement aux fluctuations de la température de l'eau d'alimentation. Par conséquent, il faut régler la butée de température maximale au moment de l'installation et il peut être nécessaire de faire de nouveaux réglages par la suite en raison des fluctuations saisonnières de la température de l'eau. **VOUS DEVEZ** informer le propriétaire ou l'utilisateur de cette exigence. En cas de doute quant à la marche à suivre pour faire ces réglages, veuillez consulter la page 5. Si vous avez encore des doutes, veuillez appeler au 1 800-345-DELTA.

Après avoir terminé l'installation et le réglage, vous devez inscrire, sur l'étiquette de mise en garde fournie, votre nom, le nom de votre entreprise et la date à laquelle vous avez réglé le bouton de température maximale, puis fixer l'étiquette à l'endos de la porte de la coiffeuse. Vous devez également fixer l'étiquette d'avertissement au chauffe-eau. **Veuillez laisser ce feuillet d'instructions au propriétaire**

ou à l'utilisateur pour qu'il puisse le consulter au besoin.

MISE EN GARDE – Ce robinet thermostatique à équilibrage de pression pour baignoire est conçu pour limiter les effets des fluctuations de température de l'eau causées par les variations de la pression d'alimentation attribuables au fonctionnement d'un lave-vaisselle, d'une machine à laver, d'un cabinet d'aisances ou d'un autre appareil qui consomme de l'eau. Il peut ne pas protéger l'utilisateur contre l'échaudage en cas de défectuosité d'un autre dispositif de régulation de la température, de réglage erroné du bouton de température maximale, de modification de la température de l'eau chaude après le réglage du bouton de température maximale ou de fluctuation saisonnière de la température de l'eau d'alimentation. **MISE EN GARDE** – N'installez pas de dispositif d'arrêt sur une sortie quelconque de cette soupape. En interrompant l'écoulement de l'eau, ce dispositif peut empêcher la soupape d'équilibrer les pressions d'eau chaude et d'eau froide.

Garantie limitée des robinets Delta®

Pièces et finis. Tous les pièces (autres que les composants électroniques et les piles) et les finis de ce robinet Delta® sont protégés contre les défauts du matériau et les vices de fabrication par une garantie qui est consentie au premier acheteur au détail et qui demeure valide tant que celui-ci demeure propriétaire de la maison dans laquelle le robinet a été installé. En ce qui concerne les acheteurs commerciaux, la période de garantie est de dix (10) ans pour une utilisation dans un immeuble résidentiel multifamilial (appartements et condominiums) et de cinq (5) ans pour toutes les autres utilisations commerciales, à compter de la date d'achat dans chaque cas.

Composants électroniques et piles (le cas échéant). Les composants électroniques (autres que les piles) de ce robinet Delta® sont protégés contre les défauts du matériau et les vices de fabrication par une garantie consentie au premier acheteur au détail qui est de cinq (5) ans à compter de la date d'achat. En ce qui concerne les acheteurs commerciaux, la période de garantie est d'un (1) an à compter de la date d'achat. **Les piles ne sont pas couvertes par la garantie.**

Ce que nous ferons. Delta Faucet Company réparera ou remplacera gratuitement, pendant la période de garantie applicable (décrite ci-dessus), toute pièce ou tout fini qui présentera un défaut de matériau et/ou un vice de fabrication pour autant que le produit ait été installé, utilisé et entretenu normalement. S'il n'est pas utile de réparer ou de remplacer le produit, Delta Faucet Company pourra rembourser le prix d'achat en échange du produit retourné. Il s'agit de vos seuls recours.

Ce qui n'est pas couvert. La présente garantie ne couvre pas les frais de main-d'œuvre encourus par l'acheteur pour la réparation, le remplacement, l'installation ou la dépose du robinet. Delta Faucet Company se dégage de toute responsabilité à l'égard de toute détérioration du robinet résultant d'une usure raisonnable et des dommages causés par une utilisation à l'extérieur, un mauvais usage (y compris l'utilisation du produit à des fins autres que celles auxquelles il est destiné), le gel de l'eau, un usage abusif, la négligence ou l'utilisation d'une méthode d'installation, de maintenance ou de réparation incorrecte ou inadéquate, y compris les dommages résultant du non-respect des instructions de nettoyage et d'entretien applicables. Delta Faucet Company vous recommande de confier tous les travaux d'installation et de réparation à un plombier professionnel. Nous vous recommandons également d'utiliser uniquement des pièces de rechange Delta® authentiques.

Ce que vous pouvez faire pour vous prévaloir de la garantie ou obtenir des pièces de rechange. Vous pouvez présenter une réclamation en vertu de la garantie et obtenir des pièces de rechange en appelant au 1-800-345-DELTA (3358) ou en communiquant avec nous à l'une des adresses postales ou des adresses de courriel indiquées ci-dessous (n'oubliez pas d'indiquer le numéro de modèle et la date d'achat).

Aux États-Unis et au Mexique

Delta Faucet Company
Product Service
55 E. 111th Street
Indianapolis, IN 46280
Attention: Customer Solutions
www.deltafaucet.com/service-parts/contact-us

Au Canada:

Masco Canada Limited, Groupe plomberie
Centre de services techniques
350, chemin South Edgeware
St. Thomas (Ontario) Canada N5P 4L1
À l'attention du Service à la clientèle
<http://www.deltafaucet.ca/customersupport/assistance.html>

La preuve d'achat (original du reçu) du premier acheteur doit être présentée à Delta Faucet Company pour toutes les demandes en vertu de la garantie, sauf si le produit a été enregistré auprès de Delta Faucet Company. La présente garantie s'applique uniquement aux robinets Delta® fabriqués après le 1er janvier 1995 et installés aux États-Unis d'Amérique, au Canada et au Mexique.

Limitation de la durée des garanties implicites. DANS LA MESURE DE CE QUI EST PERMIS PAR LA LOI, TOUTES LES GARANTIES IMPLICITES, Y COMPRIS LES GARANTIES IMPLICITES DE QUALITÉ MARCHANDE ET D'ADEQUATION À UN USAGE PARTICULIER, SE LIMITENT À LA PÉRIODE FIXÉE PAR LA LOI OU À LA DURÉE DE LA PRÉSENTE GARANTIE, LA PLUS COURTE DES DEUX PÉRIODES S'APPLIQUANT. Dans les États ou les provinces où il est interdit de limiter la durée d'une garantie implicite, les limites susmentionnées ne s'appliquent pas.

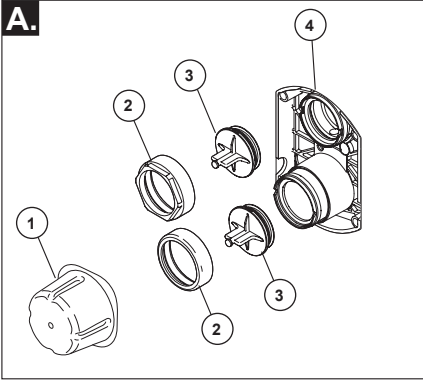
Limitation des dommages particuliers, consécutifs ou indirects. DELTA FAUCET COMPANY SE DÉGAGE DE TOUTE RESPONSABILITÉ À L'ÉGARD DES DOMMAGES PARTICULIERS, CONSÉCUTIFS ET INDIRECTS (Y COMPRIS LES FRAIS DE MAIN-D'ŒUVRE POUR LA RÉPARATION, LE REMPLACEMENT, L'INSTALLATION OU LA DÉPOSE DU PRODUIT), PEU IMPORTE QU'ILS DÉCOULENT D'UNE RUPTURE D'UNE GARANTIE IMPLICITE OU EXPLICITE, D'UNE RUPTURE DE CONTRAT, D'UN DÉLIT CIVIL OU D'UNE AUTRE CAUSE. DELTA FAUCET COMPANY SE DÉGAGE DE TOUTE RESPONSABILITÉ À L'ÉGARD DE TOUTE DÉTÉRIORATION DU ROBINET RÉSULTANT D'UNE USURE RAISONNABLE ET DES DOMMAGES CAUSÉS PAR UNE UTILISATION À L'EXTÉRIEUR, UN MAUVAIS USAGE (Y COMPRIS L'UTILISATION DU PRODUIT À DES FINS AUTRES QUE CELLES AUXQUELLES IL EST DESTINÉ), LE GEL DE L'EAU, UN USAGE ABUSIF, LA NÉGLIGENCE OU L'UTILISATION D'UNE MÉTHODE D'INSTALLATION, DE MAINTENANCE OU DE RÉPARATION INCORRECTE OU INADÉQUATE, Y COMPRIS LES DOMMAGES RÉSULTANT DU NON-RESPECT DES INSTRUCTIONS D'INSTALLATION, DE NETTOYAGE, D'ENTRETIEN APPLICABLES. Dans les États ou les provinces où il est interdit d'exclure ou de limiter les dommages particuliers, consécutifs ou indirects, les exclusions ou les limites susmentionnées ne s'appliquent pas. Avis à l'intention des résidents de l'État du New Jersey : Les dispositions de la présente garantie, y compris ses limitations, s'appliquent dans toute la mesure permise par les lois de l'État du New Jersey.

Droits supplémentaires. La présente garantie vous procure des droits précis reconnus par la loi. Vous pouvez avoir d'autres droits qui varient selon l'État ou la province.

La présente garantie écrite est la seule garantie offerte par Delta Faucet Company et elle n'est pas transférable.

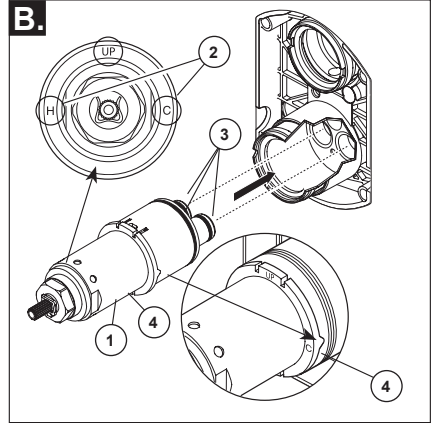
Si vous avez des questions ou des préoccupations concernant notre garantie, veuillez communiquer avec nous de la manière indiquée ci-dessus ou consulter notre FAQ sur la garantie à www.deltafaucet.com.

1 Installation de la cartouche



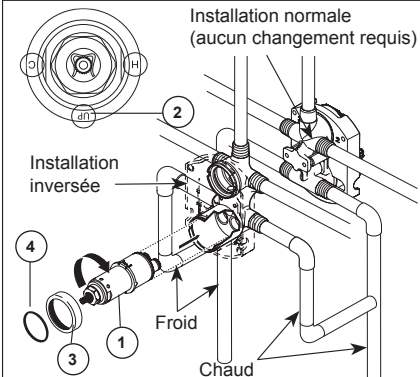
Fermez les robinets d'alimentation. Retirez le capuchon (1), les écrous-chapeaux (2) et les capuchons d'essai (3) du corps de robinetterie brute (4).

Placez un seau ou un petit contenant sur l'avant du corps de soupape et ouvrez lentement les robinets d'arrêt pour évacuer les corps étrangers de la tuyauterie avant d'installer la cartouche. Fermez de nouveau les robinets d'arrêt.



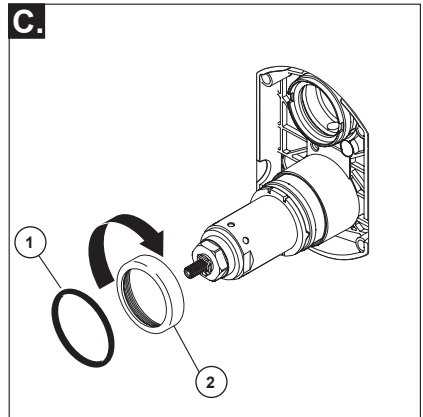
Tournez la cartouche de la soupape (1) de sorte que la lettre « H » (2) soit du côté eau chaude et la lettre « C » (2) soit du côté eau froide. Ajoutez du lubrifiant à base de silicone aux trois joints toriques (3) montrés ci-dessus pour faciliter la pose de la cartouche dans le corps de soupape et sa dépose. Introduisez la cartouche dans le corps de la soupape comme le montre la figure. Assurez-vous que les ergots sont parfaitement engagés dans les rainures du corps (4). Vous pouvez enduire les joints toriques d'un peu de graisse de plomberie pour faciliter l'assemblage.

Installation dos à dos



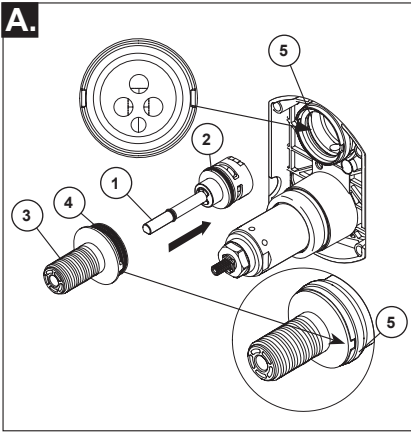
Dans le cas d'une installation dos à dos ou inversée (eau chaude à droite et eau froide à gauche) seulement : tournez la cartouche (1) de sorte que la lettre « H » se trouve du côté eau chaude, la lettre « C », du côté eau froide et le mot « UP » (2), vers le bas. Ajoutez du lubrifiant à base de silicone aux trois joints toriques montrés ci-dessus pour faciliter la pose de la cartouche dans le corps de robinetterie brute et sa dépose.

Installez la cartouche en prenant soin d'introduire les ergots entièrement dans les rainures du corps de robinetterie brute (reportez-vous à l'étape B). Glissez le joint torique (3) et l'écrou-chapeau (4) sur la cartouche et vissez-le sur le corps de robinetterie brute. Serrez-le à la main solidement.



Vissez l'écrou-chapeau (2) sur la cartouche. Serrez à la main solidement. Glissez le joint torique (1) sur la cartouche et le chapeau.

2 Instalación del cartucho desviador

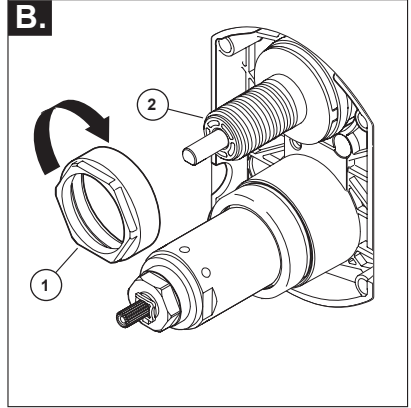


Para La instalación Del cartucho De desvío:

Aplice lubricante de silicona a la junta tórica (2) para facilitar la instalación del cartucho desviador con el casquillo desviador (3). La aplicación de una ligera capa de grasa de plomeros a las juntas tóricas (4) puede facilitar el montaje.

Instale el cartucho desviador (1) asegurando que el pasador de posicionamiento que está en la parte inferior del cartucho se alinee con el agujero correspondiente en el cuerpo de la tubería preliminar.

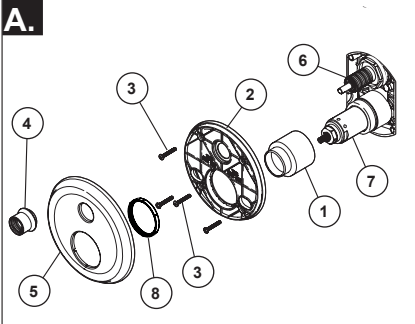
Deslice el casquillo desviador (3) sobre la espiga del cartucho alineando las lengüetas en el casquillo desviador con ranuras en el cuerpo de la tubería preliminar (5).



Installation Du chapeau De l'inverseur

Deslice la tuerca tapa (1) sobre el casquillo desviador (2) y enrosque en el cuerpo de la tubería preliminar. Apriete a mano de forma segura.

3 Installation des pièces de finition



Installation de la plaque de finition

Note: Sur les modèles (T27T876 et T27T976), installez le joint de la vanne (8) à l'arrière de l'écusson (5).

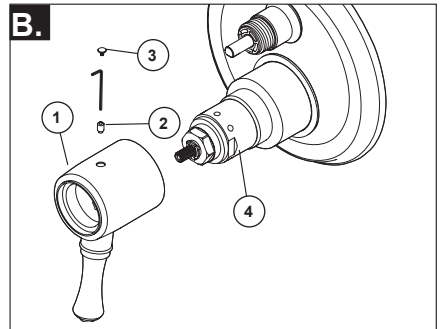
Installation dans un mur fini d'une épaisseur maximale de 1 1/8 po. Montez le manchon de finition (1) sur la cartouche de soupape (7) et le chapeau. Fixez la plaque arrière (2) au corps de robinetterie brute au moyen des quatre vis (3) fournies.

Note : Assurez-vous que la face avant de la plaque arrière est orientée vers l'avant et que les repères sont visibles.

En maintenant la plaque de finition (5) en place, vissez l'écrou de finition (4) fourni sur le manchon de l'inverseur (6).

Note : Si vous faites l'installation dans un mur épais, commandez la trousse d'installation RP90544 pour un mur fini d'une épaisseur maximale de 2 1/8 po.

Sur les surfaces raboteuses ou inégales, vous devez appliquer du composé d'étanchéité autour de la plaque arrière (2) pour épaissir le joint. N'appliquez pas de composé d'étanchéité dans la rainure d'égouttement au bas de la plaque arrière (2) ni autour de la plaque de finition (5).

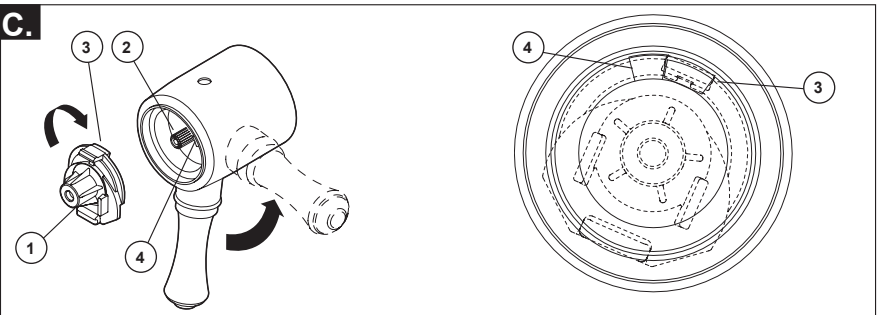


Installation de la manette de réglage de débit

Installez la manette (1) sur la cartouche (4), puis insérez la vis de calage (2) au moyen d'une clé Allen.

En exerçant une pression, insérez le capuchon de la vis de calage (3) jusqu'à ce qu'il soit bien calé.

Installation et réglage du bouton de température. Ne pas le faire peut causer des blessures.



Réglez la butée de température maximale

Ouvrez les robinets d'arrêt. LAISSEZ L'EAU CHAUDE ET L'EAU FROIDE COULER À FOND JUSQU'À CE QUE LA TEMPÉRATURE DE L'EAU QUI S'ÉCOULE SE STABILISE. Placez un thermomètre dans un gobelet et tenez le gobelet sous le jet d'eau. Placez le bouton de température maximale (1) sur les cannelures (2), puis tournez-le jusqu'à ce que l'eau soit à la température maximale voulue (pas plus de 120 °F ou température plus basse exigée par le code de plomberie local).

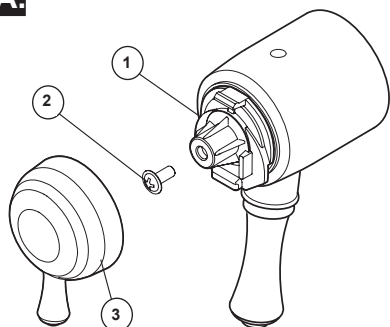
Si l'eau n'atteint pas la température maximale avant que la butée de température maximale (3) sur le bouton

de température (1) n'atteigne la butée de température maximale (4) sur la manette de débit, retirez le bouton de réglage de température (1) des cannelures (2). Tournez le bouton de réglage de température (1) dans le sens horaire. Remplacez le bouton de réglage de température (1) sur les cannelures (2) et continuez de le tourner dans le sens antihoraire jusqu'à ce que l'eau soit à la température maximale voulue. Enlevez le bouton de température (1) et remplacez-le sur les cannelures (2) en vous assurant que la butée limitatrice de température (3) s'appuie contre la butée de la manette de débit (4) comme le montre la figure.

Installation

4 Installation de la finition de la soupape Installation de la manette de température - Étape A ou A1. Installation de la manette de l'inverseur - Étape B.

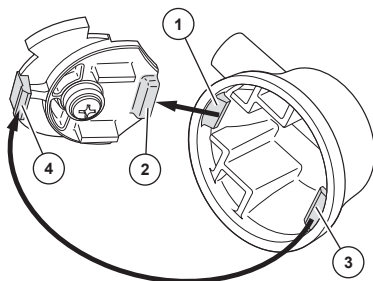
A.



Installation de la manette de température

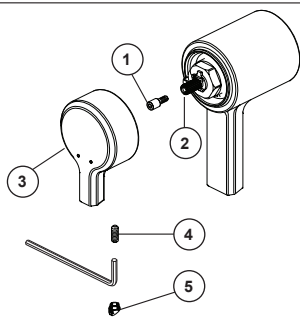
Fixez le bouton de réglage de température (1) avec la vis (2).

Consultez l'étape suivante pour voir comment fixer le couvercle de la commande de température (3).



Placez le couvercle de la commande de température contre le bouton de réglage de température après avoir aligné la petite patte (1) sur le couvercle avec la rainure (2) sur bouton de température. Faites pivoter la grosse patte (3) pour l'engager dans la fixation (4). Note : Si vous devez démonter le couvercle, procédez dans l'ordre inverse et dégagez la grosse patte (3) de la fixation (4) en premier.

A1.



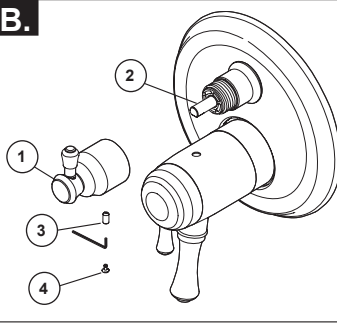
Séries T27T899 et T27T999

Installation de la manette de température

Fixez la vis d'espacement (1) à la tige de soupape (2). Faites glisser la manette de réglage de température (3) sur la vis d'espacement (1).

Installez la vis de calage (4) à l'aide d'une clé Allen, puis placez le capuchon de la vis de calage (5) sur la vis de calage et appliquez une pression sur celui-ci jusqu'à ce qu'il soit bien calé.

B.



Installation de la manette de l'inverseur

Glissez la manette de l'inverseur (1) sur la tige du manchon de l'inverseur (2) en prenant soin d'aligner la manette avec la tige de la cartouche. Insérez la vis de calage (3) au moyen d'une clé Allen. En exerçant une pression, insérez le capuchon de la vis de calage (4) jusqu'à ce qu'il soit bien calé.

5

Possibilité d'ébullition ou de choc thermique pouvant causer des lésions en raison d'une inversion de la circulation de l'eau si la sortie de la douche est bloquée ou limitée (p. ex. : circulation bloquée par la commande d'arrêt sur la pomme de douche). Avant d'ouvrir le robinet, déplacez la pomme de douche pour ne pas vous faire arroser. Vous pouvez également installer des clapets de non-retour sur les deux tuyaux d'alimentation en eau pour éliminer les risques de blessures.

Nettoyage et entretien

Ce produit doit être nettoyé avec soin. Bien que le fini soit extrêmement durable, il peut être abîmé par des agents de polissage puissants ou des nettoyants fortement abrasifs. Pour le nettoyer, il suffit de le frotter doucement avec un chiffon humide, puis de l'éponger avec une serviette douce.

Maintenance

L'eau ne s'écoule qu'en un mince filet:

conduites d'eau chaude et d'eau froide doivent être toutes les deux sous pression. Si seulement un côté est sous pression, le débit d'eau à la sortie du système sera insuffisant.

La pomme de douche fuit: retirez la pomme de douche, puis ouvrez et fermez les robinets d'arrêt et vérifiez si la cartouche fuit ou si la pomme de douche se vide lentement (la pomme de douche peut avoir besoin d'un nettoyage si elle se vide lentement).

Si la fuite persiste -FERMEZ LES ROBINETS D'ARRÊT.
Remplacez la cartouche - RP47201.

Incapacité de régler ou de maintenir la température de l'eau mitigée:

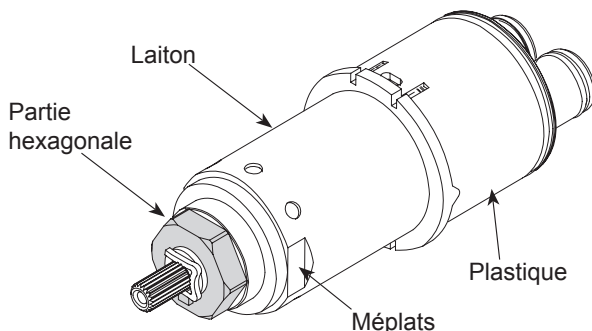
FERMEZ LES ROBINETS D'ARRÊT. Retirez la manette, le manchon de finition et l'écrou-chapeau. Assurez-vous que la lettre « H » qui figure sur la cartouche est orientée vers l'entrée d'eau chaude et que la lettre « C » est orientée vers l'entrée d'eau froide du corps de soupape. La cartouche thermostatique ne fonctionnera pas si l'entrée d'eau chaude et l'entrée d'eau froide sont inversées.

Faible débit: un faible débit peut être attribuable à des filtres métalliques obstrués à l'intérieur de la cartouche thermostatique.

1. FERMEZ LES ROBINETS D'ARRÊT.
2. Enlevez la manette.
3. Dévissez la partie hexagonale de la cartouche de la section en laiton de la cartouche. Tenez solidement la section en laiton par les méplats pendant que vous tournez la partie hexagonale dans le sens antihoraire. Si vous ne tenez pas la section en laiton assez solidement, la cartouche risque d'être endommagée. (Voir l'illustration ci-dessous).
4. Nettoyez soigneusement les filtres métalliques en faisant couler de l'eau au travers pour évacuer les saletés. Si les saletés sont difficile à enlever, faites tremper les filtres métalliques toute la nuit dans une solution composée à part égales d'eau et de vinaigre.
5. Remontez la cartouche.
6. Remplacez la manette.
7. Ouvrez les robinets d'arrêt.
8. Remettez la butée de température maximale à sa position initiale avant d'utiliser la soupape.

Fiche de référence sommaire de la cartouche

T27T

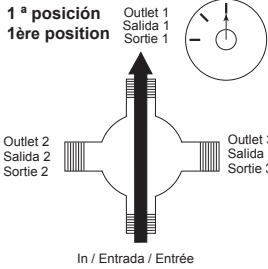


**Commandez le kit RP47201
pour remplacer la cartouche.**

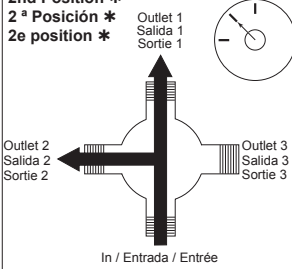
Fiche de référence de la manette de l'inverseur

Water Flow For 3 Function Diverter / Flujo de agua para Desviadores de 3 posiciones / Écoulement de l'eau pour les inverseurs à 3 positions

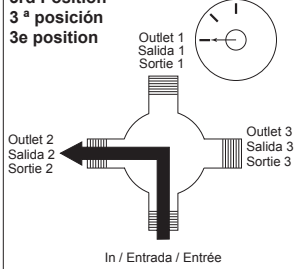
1st Position
1ª posición
1ère position



2nd Position *
2ª Posición *
2e position *



3rd Position
3ª posición
3e position



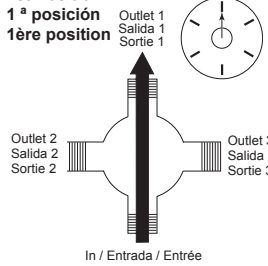
* Shared positions do not exist in non-shared cartridges.

* Los ajustes o posiciones compartidas no existen en los cartuchos no-compartidos.

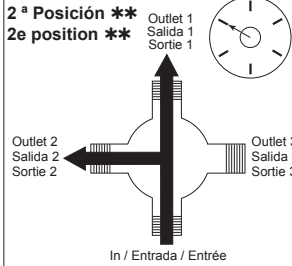
* Comme leur nom l'indique, les cartouches sans position partagée ne comportent aucune position partagée.

Water Flow For 6 Function Diverter / Flujo de agua para Desviadores de 6 posiciones / Écoulement de l'eau pour les inverseurs à 6 positions

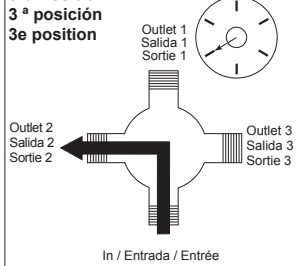
1st Position
1ª posición
1ère position



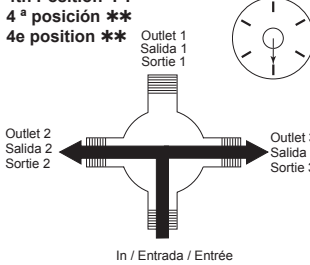
2nd Position **
2ª Posición **
2e position **



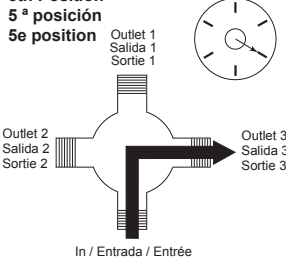
3rd Position
3ª posición
3e position



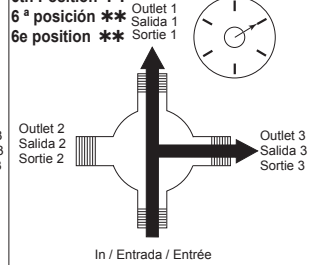
4th Position **
4ª posición **
4e position **



5th Position
5ª posición
5e position



6th Position **
6ª posición **
6e position **



** Shared positions do not exist in non-shared cartridges.

** Los ajustes o posiciones compartidas no existen en los cartuchos no-compartidos.

** Comme leur nom l'indique, les cartouches sans position partagée ne comportent aucune position partagée.

