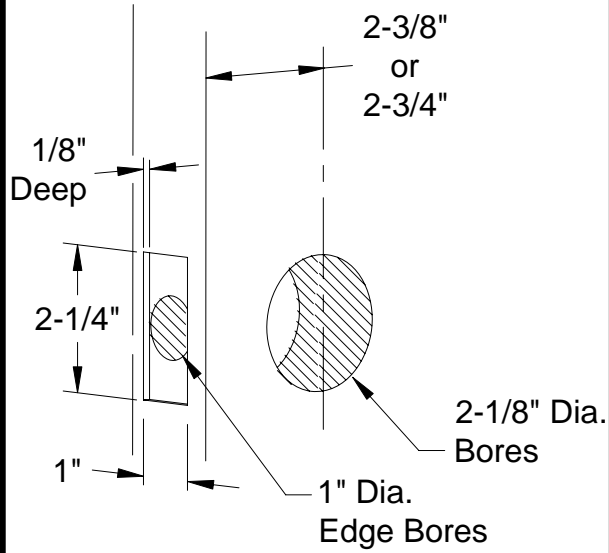
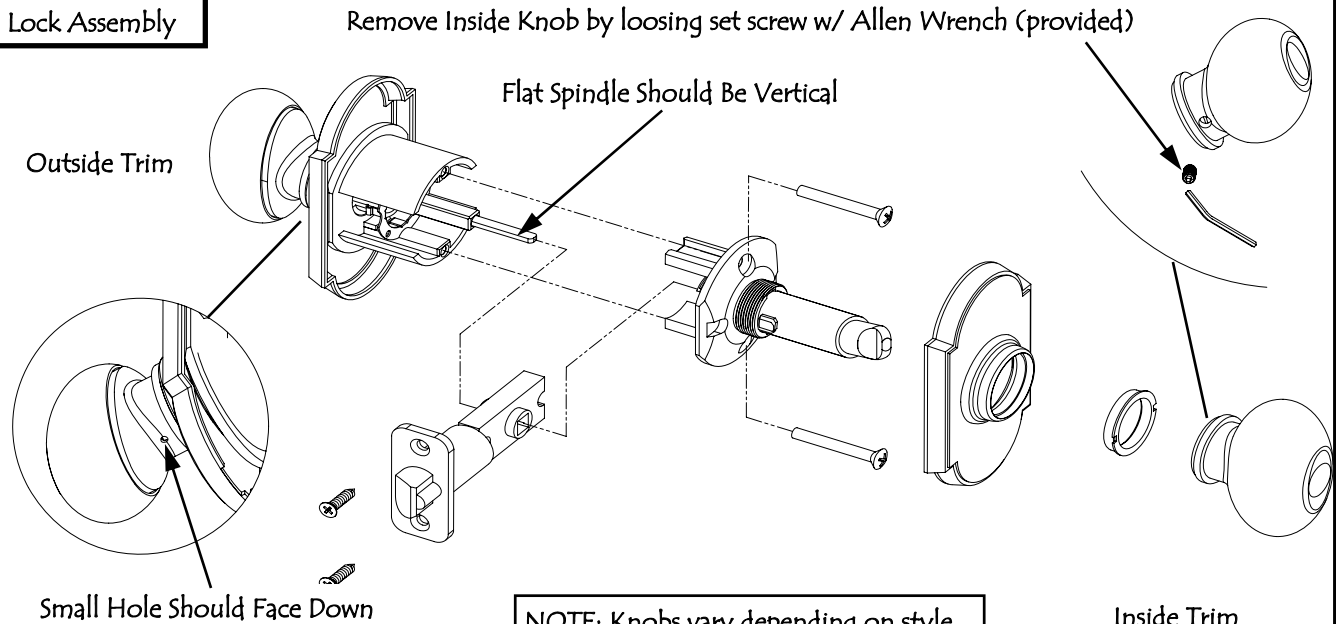


Installation Instructions—Key in knob w/ #8 Style Rosette

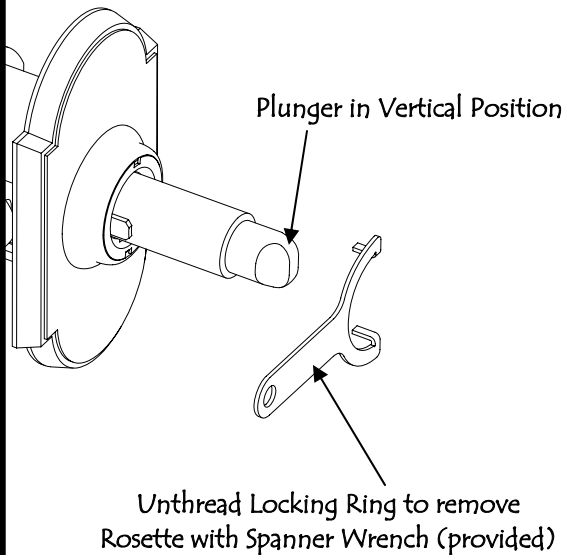
Door Prep



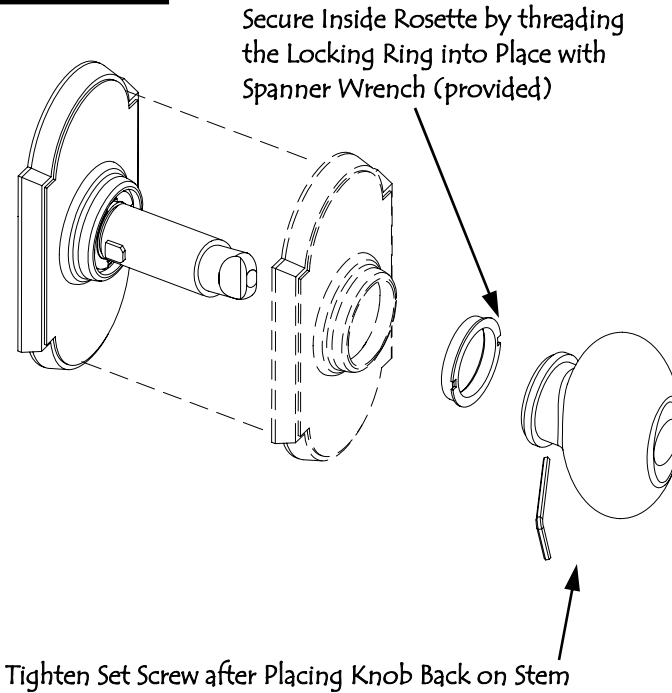
Lock Assembly



Remove Rosette



Inside Trim



Re-Pinning Cylinder

