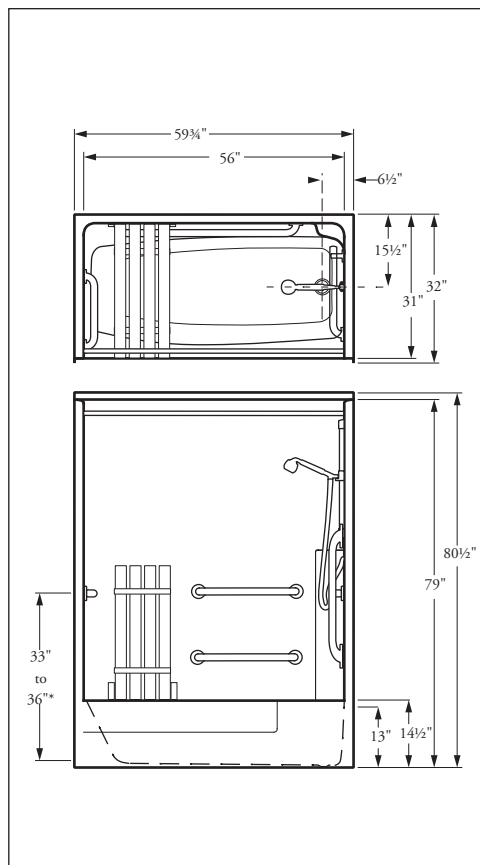




ADA
COMPLIANT*

CALIFORNIA
ADA
COMPLIANT*

Note: Units sold in CA
DO NOT come with a slide bar.
Instead a stationary wall hook
will be installed per CA-ADA
requirements (2008).



Specify Right or Left Hand Drain

**Dimensions may vary \pm 1/4" inch.
Please check unit before installation.**

Dimensions subject to
change without notice.

Contact Florestone
Products to verify
product specifications.

Symmons® is a Registered Trade Mark of Symmons Industries, Inc.
Moen® is a Registered Trade Mark of Moen Corporation.

Florestone Model 60-31HTS Tub/Shower

59 3/4" x 32" x 80 1/2"
Weight: 200 lbs.

Architect's Specifications

Furnish and install one-piece gel-coated fiberglass shower stall Model 60-31HTS designed for barrier-free use as manufactured by Florestone Products Company. Basic shower will conform to ANSI-Z-124.2. Unit to include stainless steel curtain rod; Symmons® pressure balance mixing valve with concealed check stops; Moen® hand-held shower head with hose and chrome-plated slide bar; stainless steel grab bars; 3 each 24", 2 each 18"; molded corner soap dish; folding seat.

Shower curtain optional.

Curtain Size: 72" x 72".

Standard Color: White.

Special order colors available.

Standards:

I.A.P.M.O. File No. 0687
ANSI-Z-124.2



 **FLORESTONE**
A Spec Above.™

FLORESTONE PRODUCTS CO., INC.

2851 Falcon Drive • Madera, CA 93637

T. 559.661.4171 • T. 800.446.8827

F. 559.661.2070 • florestone.com