

**Molded Fiberglass  
Model 3060F-BF  
Barrier-Free  
Shower Receptor**

**Architect's  
Specifications**

Furnish and install molded fiberglass one piece shower unit manufactured by Florestone Products Company. Unit to be manufactured of gel-coated fiberglass and to be supplied with slip-resistant floor laminated for extra rigidity. Color will be white (unless otherwise specified). Unit to be supplied with a 2" PNC non-caulk drain

**Colors**

Standard Color: White

Optional Colors: Almond, Biscuit, Bone and Special Granite Colors.

Color matching most major manufacturers' colors available.

**Accessories**

Strainer, Chrome

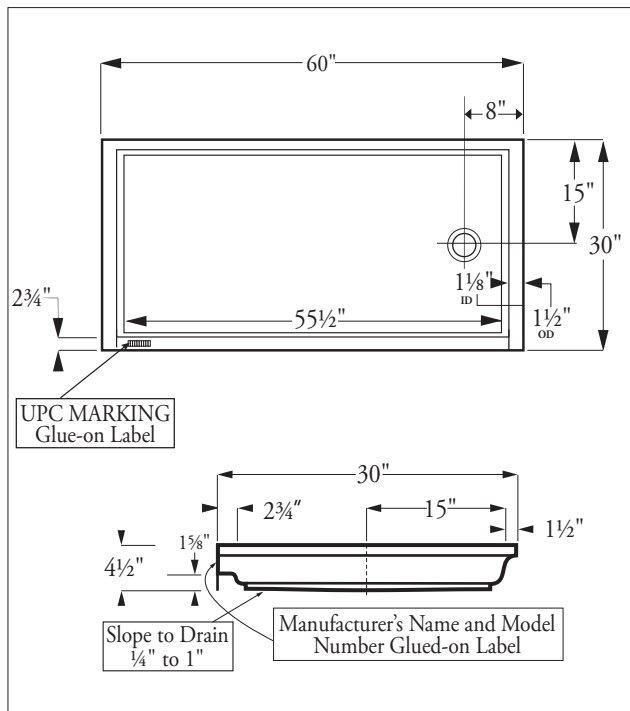
Strainer, Plastic

Repair Kit.



One piece, single threshold model for recessed installation. Features 1" flange on three remaining sides. End drain.

Specify RH or LH Drain



**Dimensions may vary ± 1/4" inch.  
Please check unit before installation.  
Place receptor on a bed of mortar or  
plaster for warranty compliance.**



**FLORESTONE PRODUCTS CO., INC.**

2851 Falcon Drive • Madera, CA 93637

T. 559.661.4171 • T. 800.446.8827

F. 559.661.2070 • florestone.com

**Dimensions subject to change without notice.  
Contact Florestone Products to  
verify product specifications.**

**Standards:**

I.A.P.M.O.

International Association of Plumbing and Mechanical Officials  
File No. 0687.

ANSI

American National Standards Institute - Specifications Z-124.2.

