



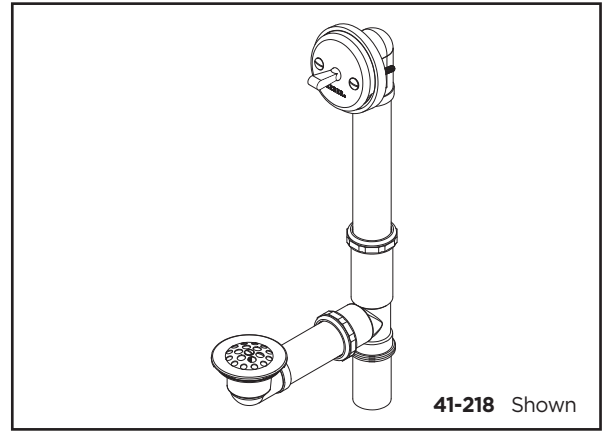
GERBER

41-218 Series

Trip Lever Bath Drain

Features:

- Fits most tubs 14" to 16" high
- 1-1/2" brass tubing in 20 Gauge
- Adjustable self-retaining rubber head gasket
- Pre-adjustable linkage
- Heavy duty cast yellow brass head, tee and shoe
- Cast brass shoe plug
- Extra long plunger stroke
- Lubricated cast brass plunger
- Stamped domed strainer
- Heavy duty, highly polished face plate
- Complete assembled in carton
- Available in Chrome only



Technical Specifications:

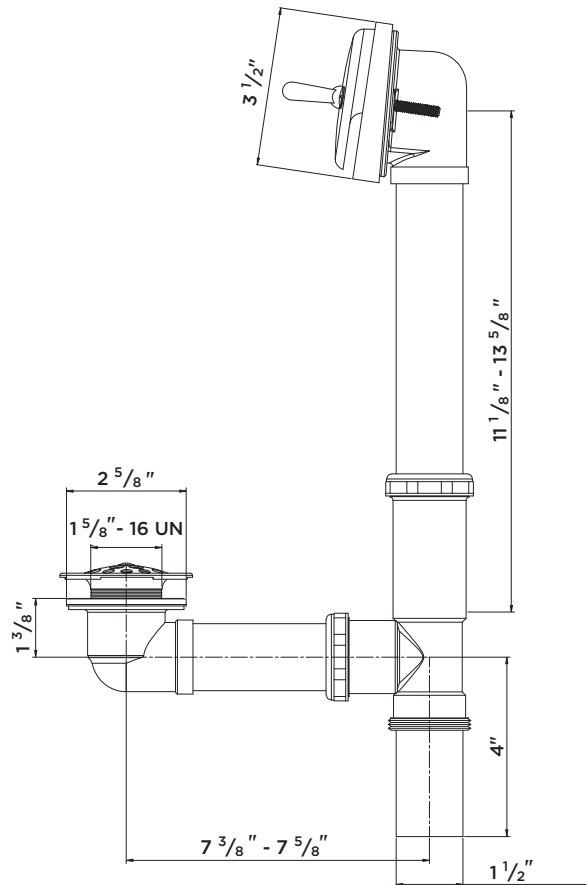
- IAPMO/UPC
- ASME A112.18.2

Catalog Numbers:

- 41-218** With zinc plated slip nuts & rubber washers
- 41-218-91** With cast yellow brass slip nuts & rubber washers

Suffixes Available:

91 Brass slip nuts



Job Name	
Date	
Model Specified	
Quantity	
Customer	
Contractor	
Architect/engineer	

Gerber Toll Free Technical Support: 888-648-6466
www.gerberonline.com