

### SPECIFICATIONS

#### Features/Benefits



- 1.2 gpm (4.5 L/min) Max Flow @ 60 psi with Laminar Water Stream
- Alternative Flow Rates Available with Spray Water Stream
  - 1.0 gpm (3.8 L/min) When Used with DA613074N Aerator
  - 0.5 gpm (1.9 L/min) When Used with DA613075N Aerator
- 5 5/8" Spout Height, 4 3/16" Spout Reach
- Ceramic Disc Cartridge
- Includes Metal Pop Up Drain Drain Assembly
- 3-Hole Mount

#### Available Color/Finishes

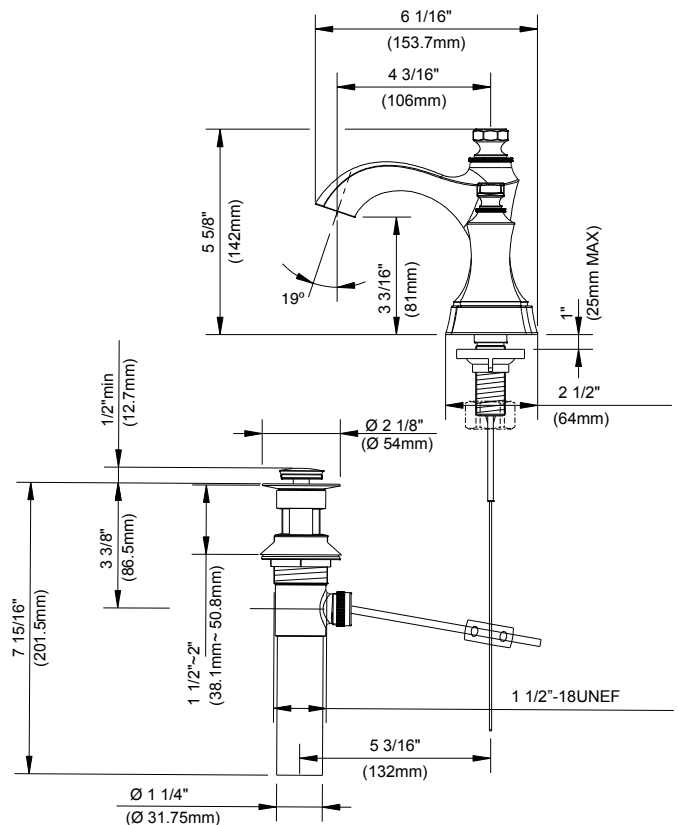
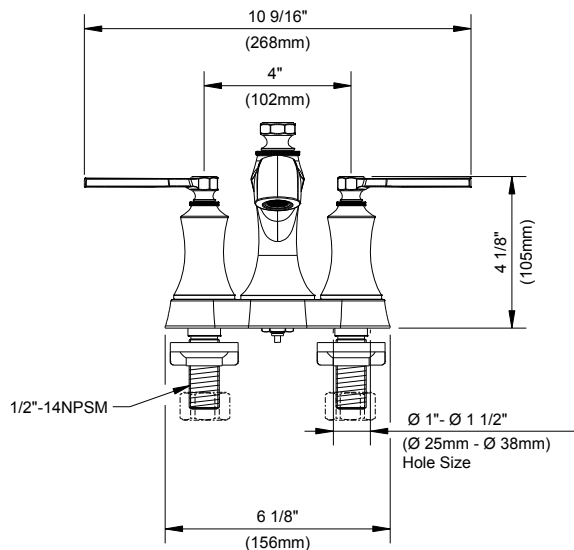
Chrome

Please see [gerberonline.com](http://gerberonline.com) or current price list for available finishes. Finish is defined by additional suffix.

#### Mount Type



#### Standards & Certifications



#### Submittal Information:

Name: \_\_\_\_\_  
Location: \_\_\_\_\_

Contractor: \_\_\_\_\_  
Contact #: \_\_\_\_\_