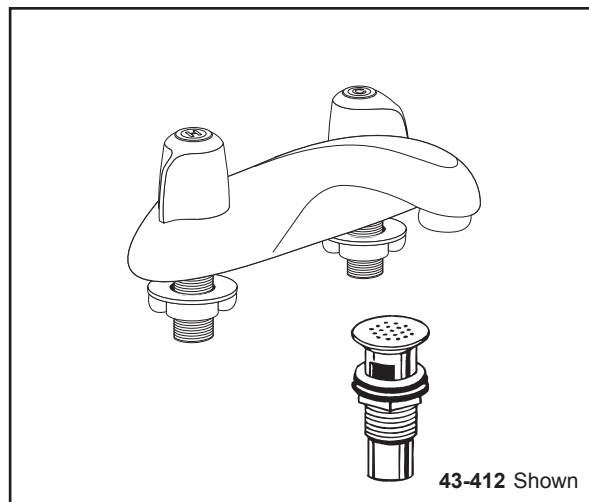


Features:

- Cast brass, heavy chrome plated body
- Metal handles with acrylic hot and cold index buttons
- Compression stems with renewable brass seats
- Working parts can be easily replaced
- 4" centers for mounting
- 2.2 gpm (8.3 L/min) @ 60 psi maximum aerator
- ADA compliant handles operate with less than 5 lbs. force

Technical Specifications:

- ASME A112.18.1M
- CABO/ANSI A117.1 (ADA)
- CSA B125
- ANSI/NSF 61-1997b

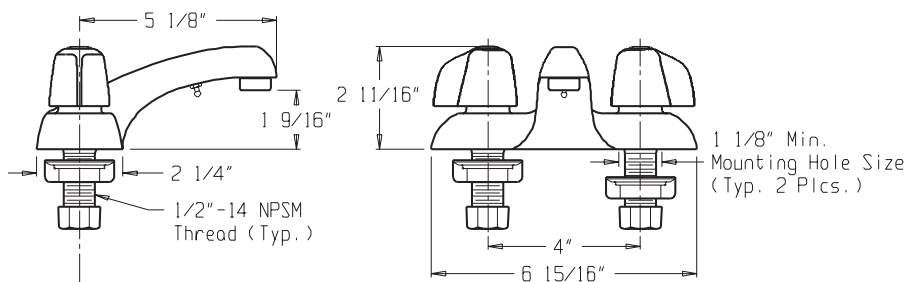


Catalog Numbers:

- 43-411** With Chain Stay ☒
- 43-413** Less Pop-up and Pop-up Hole ☒

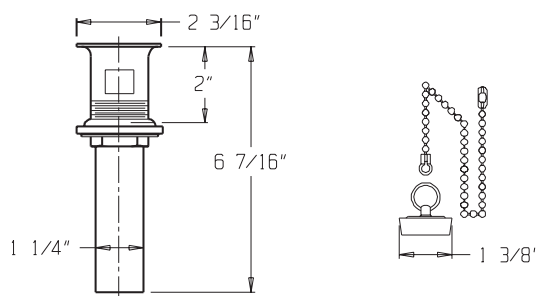
Prefixes Available:

C0- Metal Handles, Ceramic Cartridges ☒
 For Less Handles, Ceramic Cartridges,
 See 53-100 Series



Suffixes Available

None



| | |
|--------------------|--|
| Job Name | |
| Date | |
| Model Specified | |
| Quantity | |
| Customer | |
| Contractor | |
| Architect/engineer | |

GERBER®

PROFESSIONAL PERFORMANCE

Gerber Toll Free Technical Support: 888-648-6466
 www.gerberonline.com

