



GERBER

www.gerberonline.com

Viper™ 1.28 GPF Elongated Toilet

12" Rough-in

Features:

□ WS-21-512

- Vitreous china
- Combination bowl and tank
- 3" flush valve with Fluidmaster® fill valve for quiet fill
- 12" rough-in
- Elongated bowl
- Dual-fed siphon jet action bowl (no splashing)
- 2" Fully Glazed trapway for effective waste removal
- Color matched metal tank lever
- 6 point tank to bowl connection for tank stability
- Sanitary bead for easy cleaning
- Color matched Bolt caps included
- Toilet seat not included



Technical Information:

Included Components:

- Combination WS-21-512
- Bowl VP-21-562
- Tank WS-28-590

Other Tank Options: (bowl to be purchased separately)

- Insulated Tank WS-28-592
- Tank with Right Hand Lever WS-28-590-97
- Insulated Tank with Lid Locking Device WS-28-592-LL

Fixtures:

Configuration	two-piece, elongated
Water per Flush	1.28 gpf (4.8 Lpf)
Rough-In	12"
Height	29"
Width	16 3/8"
Depth	29"
Trapway	2"
Large Water Surface	9 5/8" x 6 3/8"
Shipping Weight	77 lbs

Accessories:

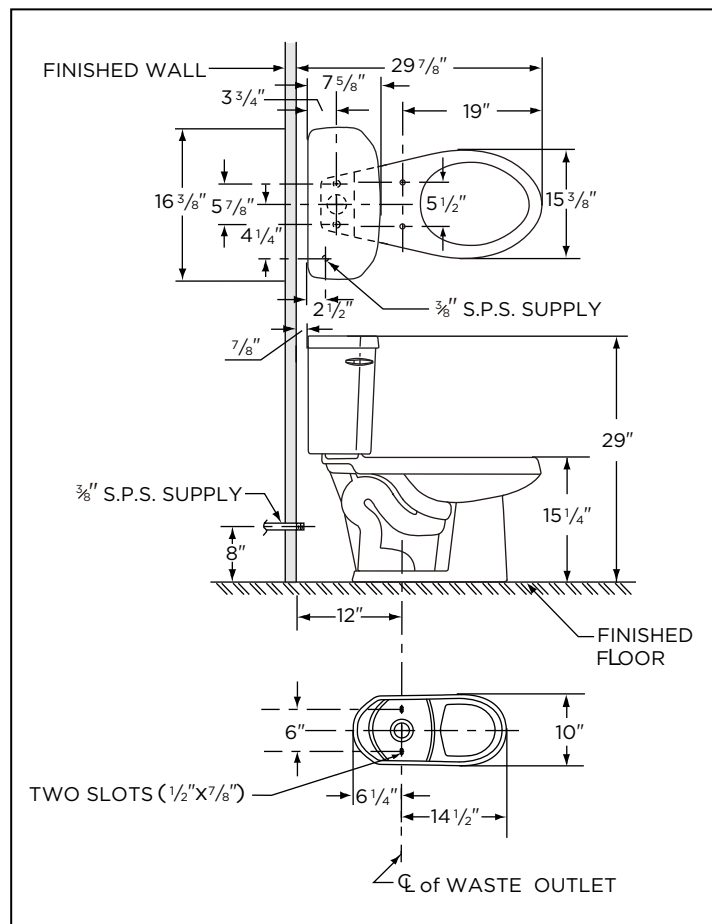
Soft Close Toilet Seat	99-213
------------------------	--------

Colors/Finishes:

- White
- Other: Refer to Price Book for additional colors/finishes

Warranty:

- Limited lifetime warranty



NOTES: All dimensions are in inches. Illustrations may not be drawn to scale.

IMPORTANT:

Dimensions of fixtures are nominal and may vary within the range of tolerances established by ASME standard A 112.19.2 THIS FIXTURE QUALIFIES ACCORDING TO ASME TEST PROCEDURES AS A HIGH EFFICIENCY WATER CLOSET WITH AN AVERAGE CONSUMPTION OF 1.28 gpf (4.8 Lpf) OR LESS.