

Rendezvous Collection

10mm Radius Offset Undermount Single Bowl

Sliding Platform System

Model : REN-16-OS2618



****Installation note: Recommended minimum of 3/4" between front of faucet base and rear edge of sink cut-out for cutting board clearance****

FEATURES

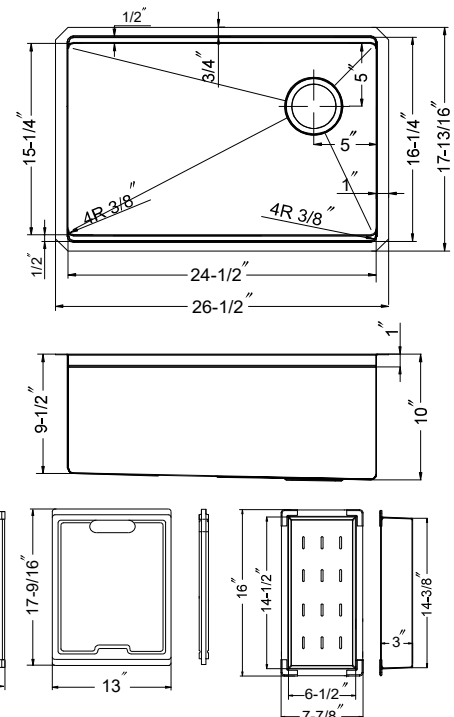
- Premium grade T-304 stainless steel
- Handmade sink with scored bottom
- 10" depth • 16 gauge
- TotalGuard+ Insulation over Sound Deadening Pads
- StoneShield Undercoating
- Brushed satin • Offset drain
- 3-1/2" drain opening • Fits 30" sink base
- Supplied with cutout template, fasteners and instructions
- All accessories designed to fit platform ledge except cutting board
- Includes : Wood Cutting Board, Drying Tray, Multi-Purpose Roll-Up Mat, Bottom grid, Stainless Steel Basket Strainer.
- Lifetime Limited Warranty



OPTIONAL ACCESSORIES

Bottom Grid: SWG-OS-2517 Drying Tray: DRY-OS-817
 Cutting Board : CUT-1418 Roll-Up Mat: ROL-1416
 Strainer: BAS-2000-SS

REN-16-OS2618



OVERALL DIMENSIONS	EACH BOWL	CUTOUT SIZE	PACKAGING*	WEIGHT*
26-1/2" x 17-13/16"	24-1/2" x 16-1/4"	See Template	1/12 pcs.	31/412 lbs.

*Standard packaging: Single boxed /Pallet of single boxed.
 All dimensions are in inches. Specifications subject to change without notice.

Project/Job name _____

Architect/Engineer _____

Contractor _____

Model	Qty

Notes _____

Installation profile

