

# INSTALLATION INSTRUCTIONS

## Cranford Pivoting Toilet Paper Holder

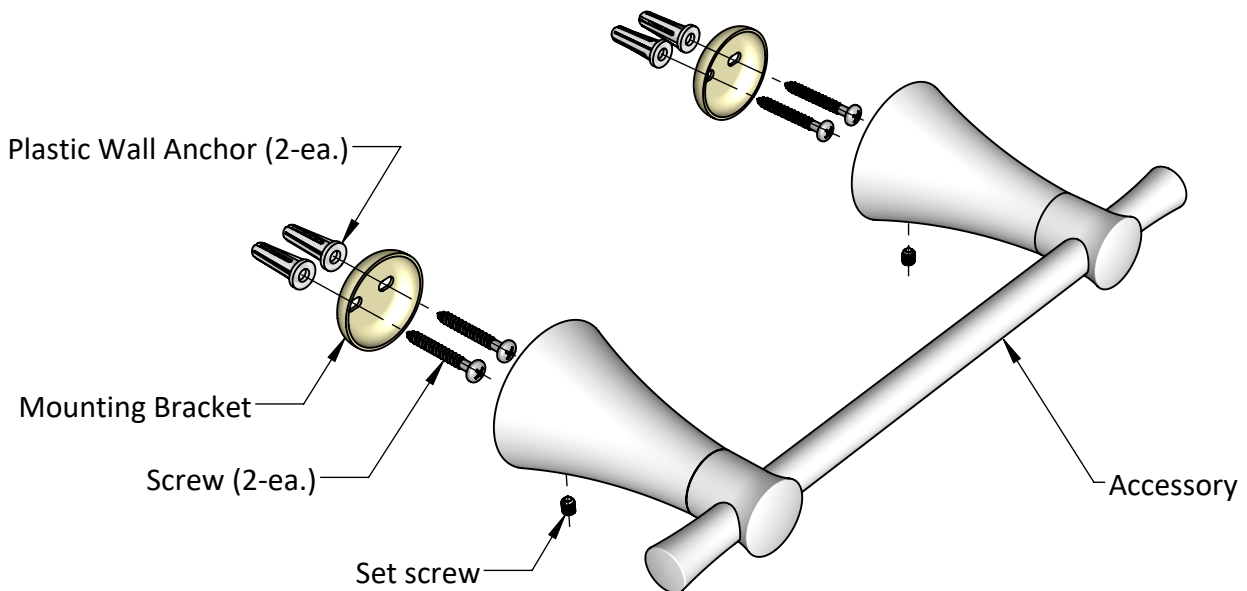
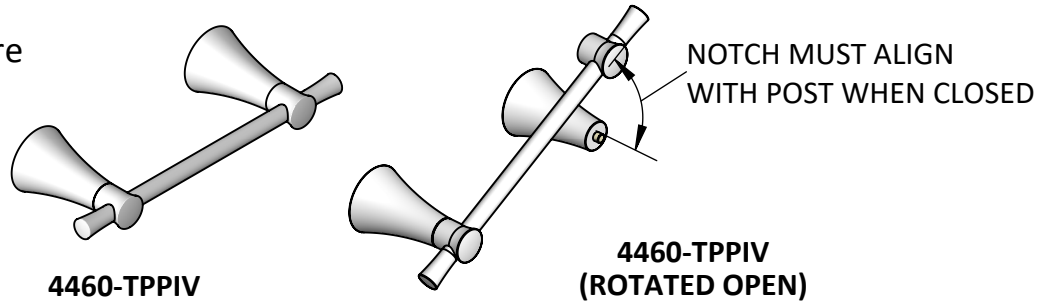
Part # 4460-TPPIV

# JACLO®

Confidence from start to finish.™

### Materials provided:

- 1ea. Cranford Accessory
- 1 pkg. Installation hardware
- 1 ea. Hex Wrench



### Mounting Detail for 4460-TPPIV

#### Two Post Installation:

**Important:** JACLO recommends blocking for proper installation.

- Step-1:** Determine desired location of accessory, and mark the mounting bracket locations.
  - Step-2:** Remove mounting brackets from the accessory using 3/32" allen wrench, and place the set screws in a secure location.
  - Step-3:** Mark and drill two 1/4" holes (each bracket), then insert the plastic anchors into the wall.
  - Step-4:** Insert the set screws into the accessory, HAND tighten temporarily, ensuring set screw cavities are located on the bottom as shown above.
  - Step-5:** Place the accessory over the mounting brackets, and tighten the set screws.
- Note:** A correct install will have the set screws flush with the accessory.

To learn more about JACLO's warranty, please visit [\*\*jaclo.com\*\*](http://jaclo.com)