

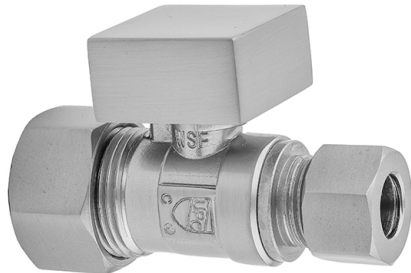
# Quarter Turn Straight Pattern 5/8" O.D. Compression (Fits 1/2" Copper) x 3/8" O.D. Supply Valve with Square Handle



**Model #: 622-7-**

## FEATURES:

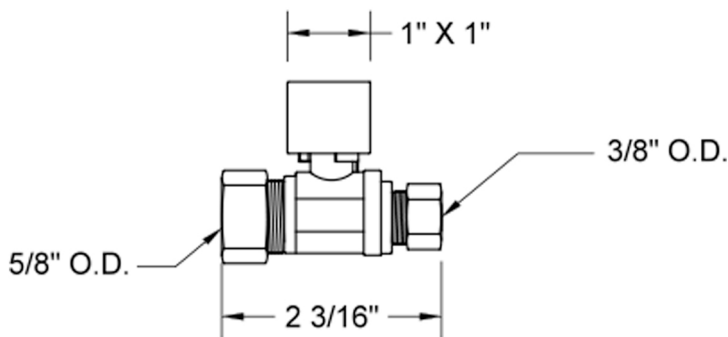
- Straight pattern 5/8" O.D. compression fit x 3/8" O.D. quarter turn ball valve
- 5/8" O.D. compression inlet x 3/8" O.D. outlet
- 5/8" O.D. compression fits 1/2" copper tubing
- All brass body and stem



## AVAILABLE FINISHES:

|                         |                         |                       |
|-------------------------|-------------------------|-----------------------|
| Polished Chrome (PCH)   | Satin Chrome (SC)       | Bronze Umber (BU)     |
| Satin Nickel (SN)       | Pewter (PEW)            | Caramel Bronze (CB)   |
| Polished Nickel (PN)    | Antique Brass (AB)      | Antique Copper (ACU)  |
| Oil-Rubbed Bronze (ORB) | Polished Brass (PB)     | Polished Copper (PCU) |
| Vintage Bronze (VB)     | Satin Brass (SB)        | Rose Gold (RG)        |
| Matte Black (MBK)       | Satin Gold (SG)         | Polished Gold (PG)    |
| Black Nickel (BKN)      | Bombay Gold (BG)        | Jewelers Gold (JG)    |
| Europa Bronze (EB)      | White (WH)              | Sedona Beige (SDB)    |
| Tristan Brass (TB)      | Unlacquered Brass (ULB) | Satin Cooper (SCU)    |

## SPECIFICATION DRAWING:



## AVAILABLE HANDLES:



## COMPLIANCES:

Complies with: ASME A112.18.1-2012/CSA B125.1-12