

# JASON<sup>®</sup>

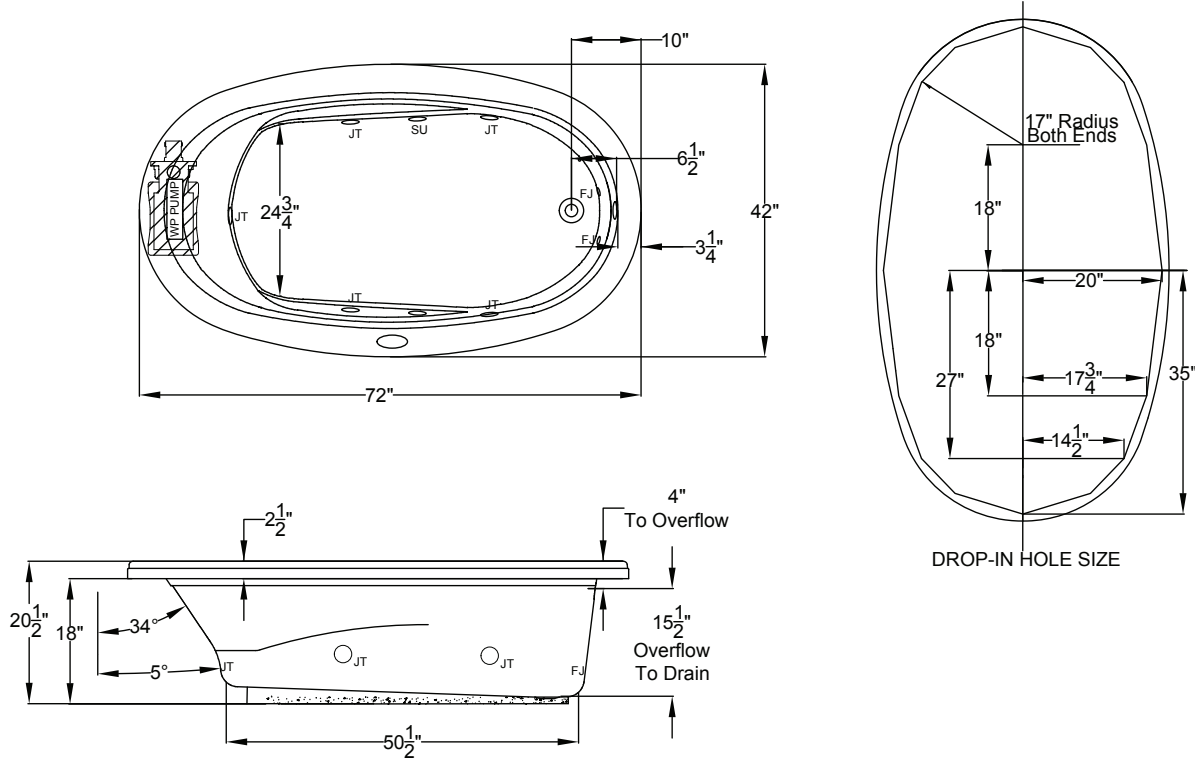
HYDROTHERAPY

8328 MacArthur Dr. • North Little Rock, AR 72118  
 501.771.4477 • Fax: 501.771.2333  
 Customer Service: 800.255.5766  
 www.jasoninternational.com

## Designer Collection Specifications

# EL635

### Whirlpool & Soaking



Patents received or pending.




Note: Dimensional Tolerances:  $\pm 1/4$ "

- Drop-in-Hole Size:** See Diagram
- Operating Capacity:** 52 Gal.
- Overflow Capacity:** 80 Gal.
- Floor Loading/sq.ft.**
- (WP/Soaking):** 46.4 / 44.9 lbs.
- Carton Wt. (WP/Soaking):** 125 / 102 lbs.
- Cube:** 43.2 ft.<sup>3</sup>

**Note:** The pump extends approximately 1" past the end radius of the bath. This requires angling the bath into the drop-in hole.

**Construction:** Fiberglass reinforced acrylic bath with Level Form™ full-support base.

*We provide products listed with Intertek ETL SEMKO (Edison Testing Laboratories) U.S. and Canadian and with International Association of Plumbing and Mechanical Officials (IAPMO). Consult factory with your listing requirements.*

<b>Standard</b>		A 120V system that includes a quiet 1-1/2 HP, 1-speed whirlpool pump, an electronic control, and a 20-minute timer. The keypad also operates the optional Jetted Neck Pillow.
<b>Premier</b>		A 120V system that includes a quiet 1-1/2 HP, 1-speed whirlpool pump, bath heater, (2) Chromatherapy mood lights, Automatic Ozone System, an electronic control, and a 20-minute timer. The keypad also operates the optional Jetted Neck Pillow.
<b>Signature</b>		A 120V system that includes a quiet 1-1/2 HP, 1-speed whirlpool pump, bath heater, (2) Chromatherapy mood lights, Automatic Ozone System, a digital control with LCD display, low water level and temperature sensors, a 20-minute timer, and Bluetooth Sound Immersion System. Control keypad operates the pump, LED Chromatherapy mood lights, optional Jetted Neck Pillow and shows equipment status, water temperature, and time remaining.