



C071-30SS

FARMHOUSE KITCHEN SINK WITH INSET APRON FRONT

DETAILS

Installation Type: Undermount

Materials: Stainless Steel

Handcrafted Smooth Metal


Standard 3.5" Drain, No Overflow

Optional Panel Options: PNL101-106, PNL302-303





Each sink is hand-crafted; no two sinks will be the same

NOTE: Due to the handmade nature of the sink, dimensions are approximate and variations in the metal may be visible.

AVAILABLE SINK FINISHES

	SS	Satin Stainless Steel
---	-----------	-----------------------

AVAILABLE DRAINS

	D003	Basket Strainer
	D007	Disposal Flange
	D051- D057	Decorative Basket Strainer
	D071- D077	Disposal Flange w/ Deco Strainer Stopper

INSTALLATION

Drain should be installed first.

UNDERMOUNT: Cuts in countertop are up to the discretion of the installer. Clips or other installation method must be provided by the fabricator/installer. Use 100% silicone to adhere sink to countertop. Clean any excess silicone from sink surface to avoid damaging the finish.

CARE

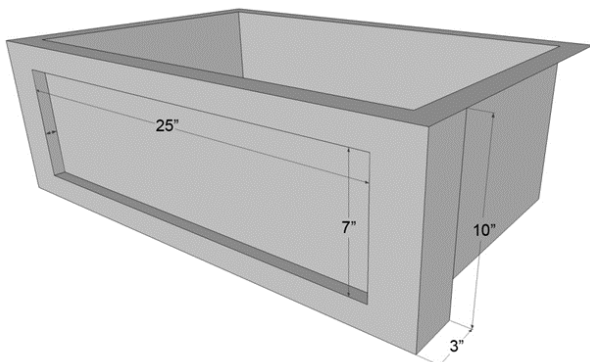
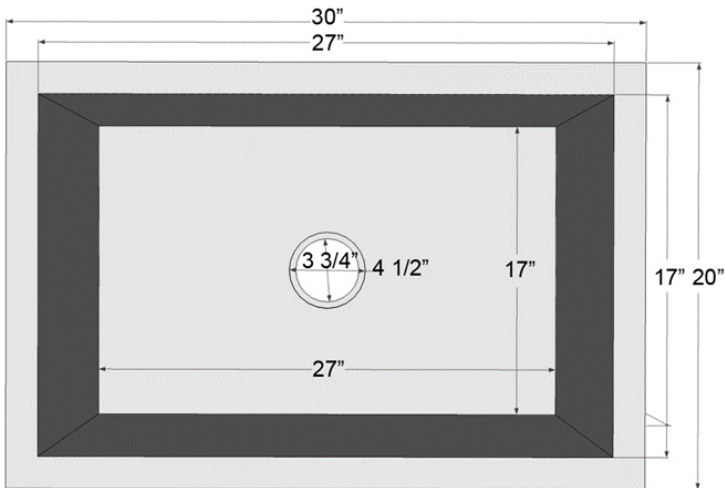
Use mild soap and water for everyday cleaning. Avoid any harsh abrasives, acidic cleaning products and antibacterial hand soap. A paste wax may be applied periodically to protect the finish and help with water spotting.

WARRANTY






Linkasink warranties our product to be free from manufacturing defect for the life of the product. Warranty does not cover improper care or abuse/neglect.



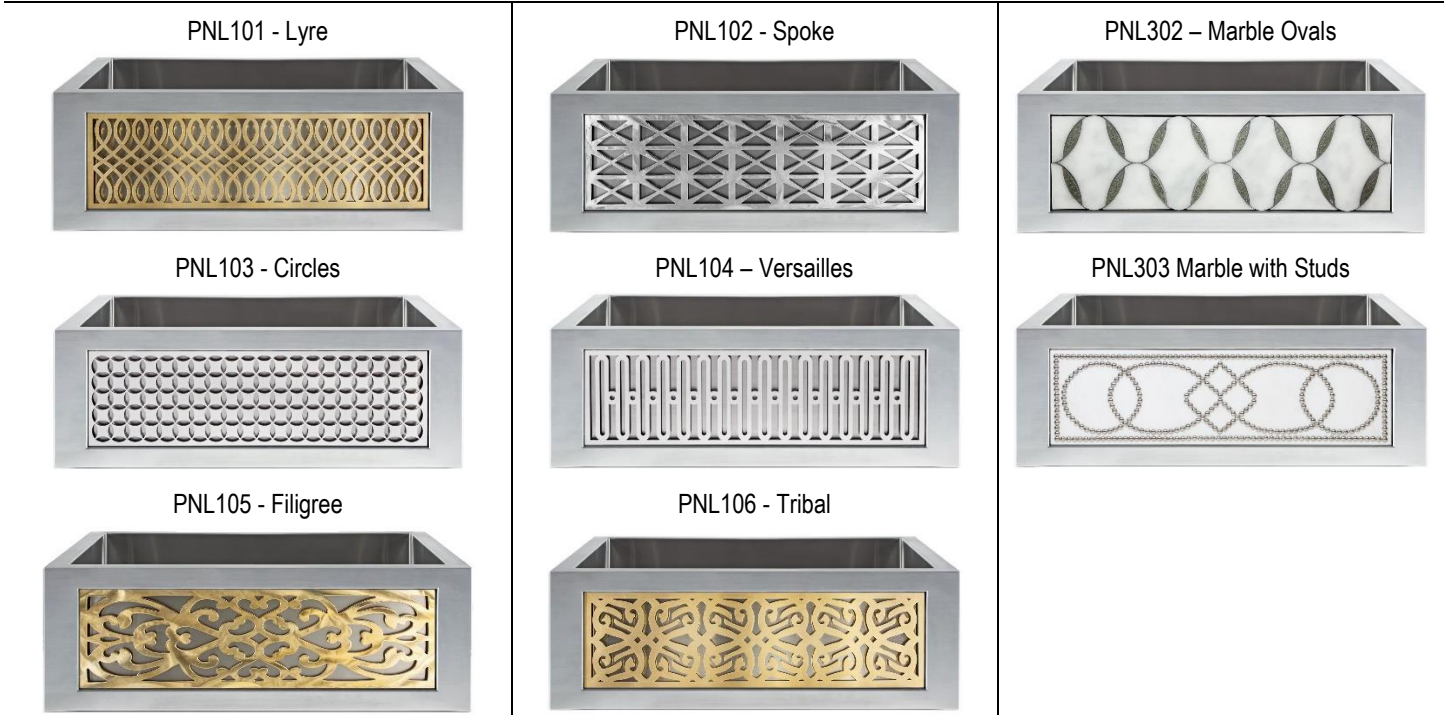
SHOWN WITH PNL102 SS



DECORATIVE PANEL OPTIONS FOR C071-30SS

Price Category 1					Price Category 3	
AVAILABLE PANEL FINISHES					AVAILABLE AS SHOWN	
	UB	Satin Unlacquered Brass		SS	Satin Stainless Steel	
	PB	Polished Unlacquered Brass		PS	Polished Stainless Steel	

Panel Size – 25” x 7”



DIMENSIONS WILL VARY

DO NOT use this sheet as a guide for countertop cuts. Due to the handmade nature of each product, templates are not provided.

P: 602.971.2502 E: sales@linkasink.com	Linkasink may make changes to specifications without notice. Visit linkasink.com for updated specification sheet.	04/04/2023
---	---	------------