

Greenfield™ Technical Specification

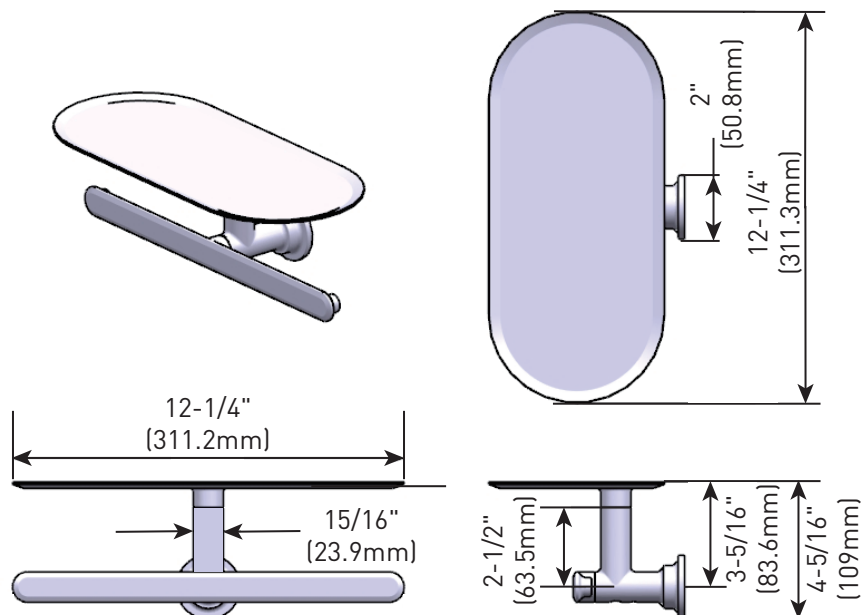
Double Paper Holder

YB1788

Stock Numbers:

- **YB1788BN – Double Paper Holder**
Brushed Nickel Finish
- **YB1788CH – Double Paper Holder**
Chrome Finish
- **YB1788BL – Double Paper Holder**
Matte Black Finish
- **YB1788BG – Double Paper Holder**
Brushed Gold Finish

Dimensions:



Materials:

Double Paper Holder is constructed of zinc.

Installation Instructions:

Please refer to product instructions for installation steps.

Cleaning Instructions:

To preserve the fine finish of this product, clean only with a soft damp cloth. Dry well. Do not use commercial or abrasive cleaners.

Stock Number: _____ Double Paper Holder
By Moen Incorporated

MOEN®

25300 AL MOEN DRIVE • NORTH OLMSTED, OH 44070
CORPORATE HEADQUARTERS: (800) 321-8809 • FAX: (800) 848-6636
INTERNATIONAL: (440) 962-2000 • FAX: (440) 962-2726
CUSTOMER SERVICE (USA): 800-882-0116 • FAX: (888) 379-2720
WWW.MOEN.COM
© 2023 Moen Incorporated.