



Buy it for looks. Buy it for life.®

Specifications

DESCRIPTION

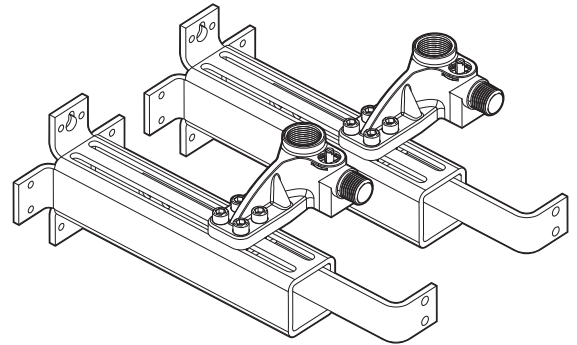
- Metal construction
- 1/2" CC/MNPT type connections with 1/4 turn stops
- Includes two mounting bracket and two manifolds

OPERATION

- Expandable mounting brackets for joists between 12" and 24" apart

WARRANTY

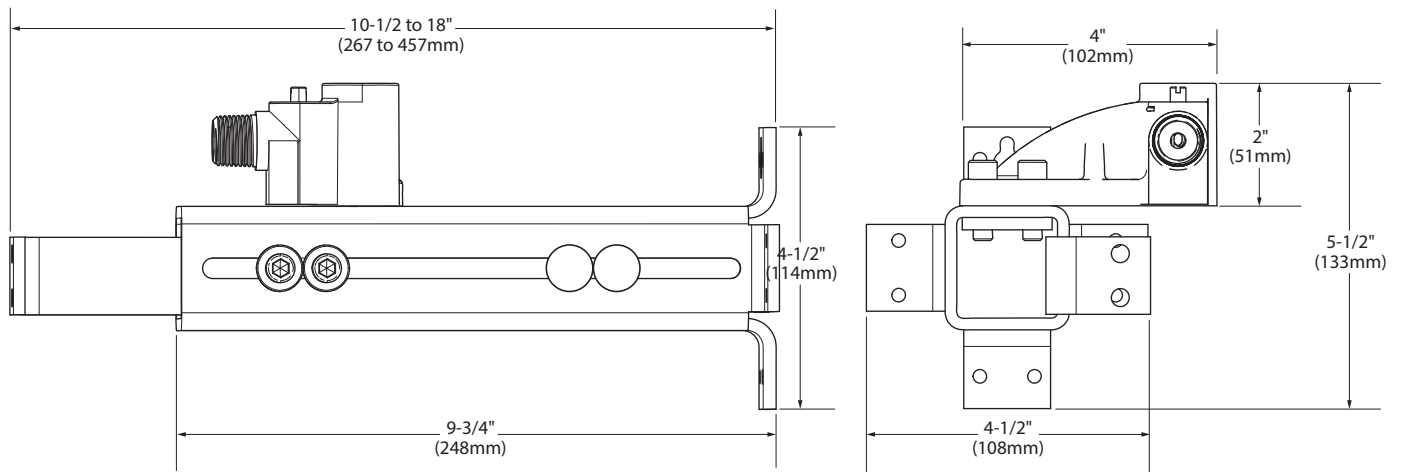
- Lifetime limited warranty against leaks, drips and finish defects to the original consumer purchaser
- 5 year warranty if used in commercial installations



M-PACT™
Double Riser Floor Mount
Tub Filler Rough-In

Model: TS50200 series

For use with TS25105 series risers



CRITICAL DIMENSIONS

(DO NOT SCALE)

FOR MORE INFORMATION CALL: 1-800-BUY-MOEN

www.moen.com