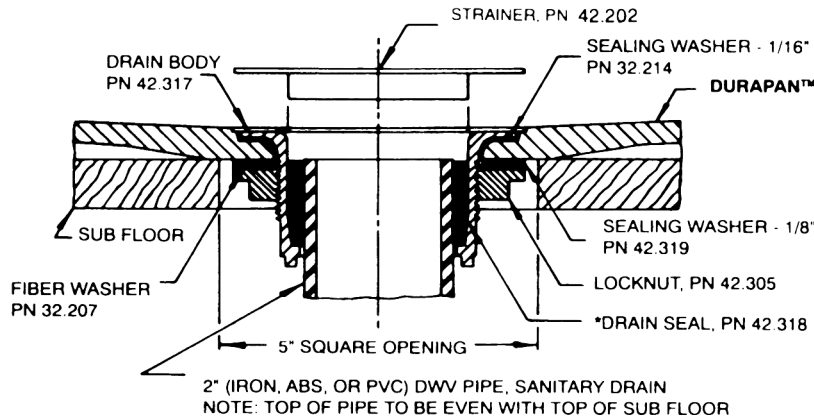
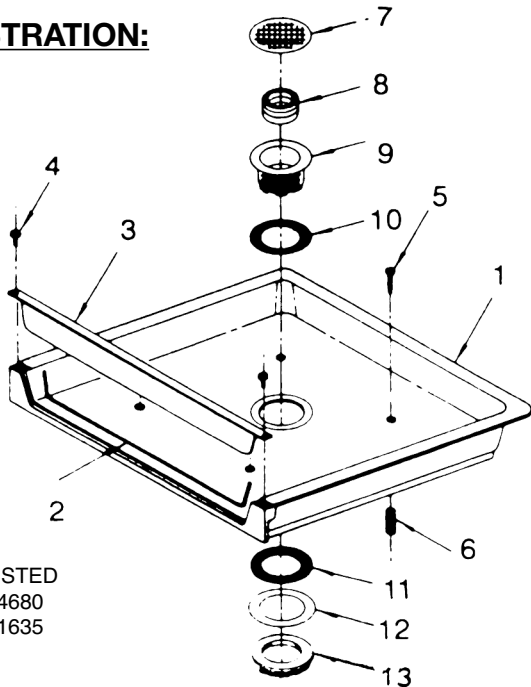


**CAUTION:** DO NOT USE ANY PUTTY OR THREAD SEALING COMPOUND UNDER FLANGE OR ON THREADS OF DRAIN BODY – FAILURE AND LEAKAGE MAY RESULT!! DO NOT OVERTIGHTEN LOCKNUT – HAND TIGHTEN, THEN WRENCH AN ADDITIONAL 3/4 TURN – MAXIMUM.



\*AN OPTIONAL DRAIN SEAL, PART NO. 42.320, IS AVAILABLE FOR 2" COPPER (DWV)  
PART NO. 42.321, IS AVAILABLE FOR 2" SOIL PIPE (SW) NO-HUB  
FOR REPLACEMENT DRAIN ASSEMBLY - COMPLETE, ORDER PART NO. 42.317A: W/MOLDED STRAINER - PN 42.202  
OR W/ST. STL STRAINER - PN 42.201

**PARTS ILLUSTRATION:**



UPC IAPMO® LISTED  
FILE NO. 4680  
® FILE NO. 1635

**CARE AND CLEANING**

The surface of your **DURAPAN™** Wash Machine/Overflow Base may be cleaned with a mild soap solution in warm water using a soft cloth. For stubborn stains use a bleach solution – follow bleach manufacturer’s recommended procedures pertaining to safety, handling and use of their product. You may also use “Soft-Scrub” by Clorox or Lysol “Tub & Tile Cleaner” or a powdered detergent such as “Spic-n-Span.” Do not allow cleaners to sit and soak on the surface. Wipe surface clean and rinse completely with water immediately after cleaner application. Rinse and dry overspray on nearby surfaces. Never use abrasive scouring powder or steel wool pads as they will dull and scratch the surface. A periodic coating of a silicone based marine polish will help retain the fine finish.

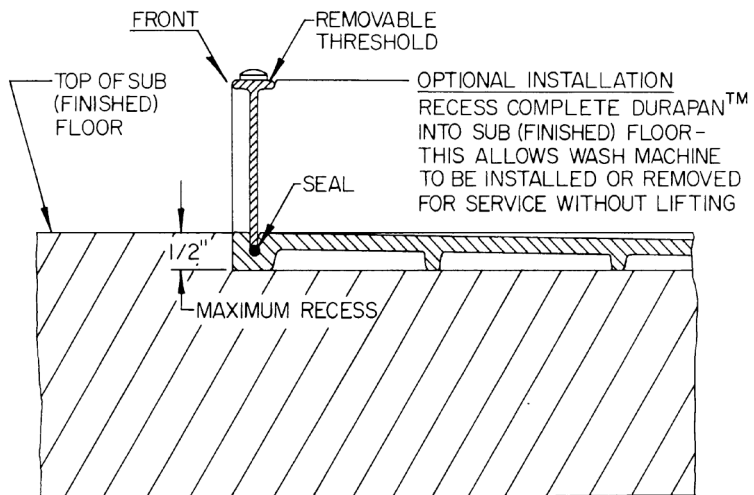
**PARTS LIST**

KEY NO.	PART NO.	DESCRIPTION
1	99.102	<b>DURAPAN™</b> OVERFLOW BASE
2	99.401	THRESHOLD SEAL
3	99.201	THRESHOLD
4	99.801	#10-24 X 1/2" THRESHOLD SCREW - 2 REQUIRED
5	99.803	#14 X 1-1/4" FLAT HD. SCREW - 4 REQUIRED
6	17.806	ANCHOR, MOLDED - 4 REQUIRED
7	42.202	STRAINER, MOLDED
8	42.318	2" DRAIN SEAL
9	42.317	DRAIN BODY, MOLDED
10	32.214	WASHER, SEALING - 1/16" THICK
11	42.319	WASHER, SEALING - 1/8" THICK
12	32.207	WASHER, FRICTION
13	42.305	LOCKNUT, MOLDED

# DURAPAN™

U.S. PATENT NO. 5,452,739

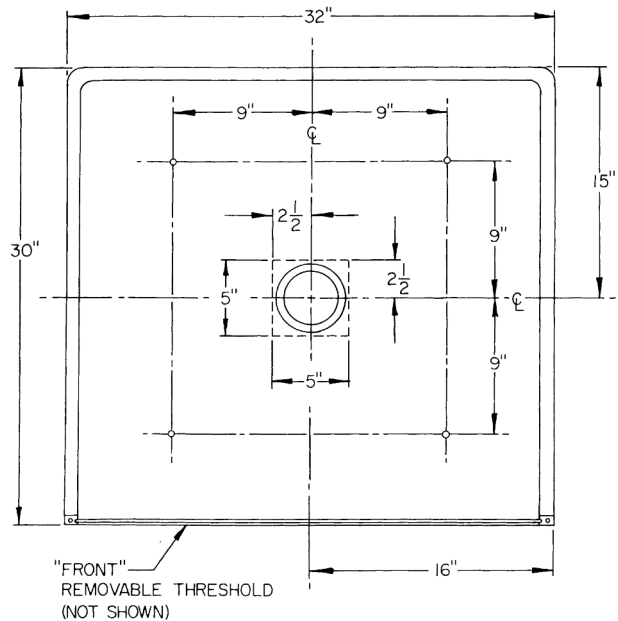
## ROUGH IN FOR: 2" DWV (ELASTOMERIC SEAL) DRAIN



# MODEL: 99 WASHING MACHINE PAN



Made from extra-tough Durastone™



### INSTALLATION:

1. Check **DURAPAN™** carefully making sure it is not damaged. Refer to the “rough-in” drawing and determine location.
2. Assemble drain to **DURAPAN™** (see illustration) use all washers provided. Do not use any putty or thread sealant on either drain body or locknut. Hand tighten locknut, then wrench an additional 3/4 turn – maximum.
3. Provide a 5” (inch) square opening in the sub-floor or slab. This opening to be located at center of **DURAPAN™** location. Drain connection requires a 2” (inch) waste pipe. Top of waste pipe must be even with top of sub-floor or slab. If **DURAPAN™** has been recessed into sub-floor – top of waste pipe must be even with bottom of **DURAPAN™**.
4. You will notice that there are (4) four countersunk holes in the floor area for securing **DURAPAN™** to sub-floor. Using a 1/4” (inch) dia. drill bit, drill out each hole. Place **DURAPAN™** directly on sub-floor as a template and mark the four previously drilled holes onto the sub-floor surface. Remove **DURAPAN™** and drill the appropriate sized holes as determined by sub-floor composition.

Wood: 3/16” (inch) dia. drill

Cement: 3/8” (inch) dia. drill for anchors – supplied

Reposition **DURAPAN™**, align screw holes (apply a dab of silicone sealant into each hole) and secure with #14 x 1-1/4” Flat Head Screws. Wipe away any excess sealant that seeps out from under screw head.

5. Seal waste by installing drain seal\* around 2” (inch) waste pipe. Tamp in place to bottom of drain body using a 1/4” (inch) diameter rod or punch. Make sure top of drain seal is even with top of 2” (inch) waste pipe as shown in sectional view and in full compliance with local code regulations pertaining to “below floor sanitary waste connections.”
6. The removable Threshold is secured with two #10-24 x 1/2” Pan Hd. Screws – remove Screws and Threshold insert Seal into recessed track. Trim excess from ends. After “washing machine” has been set in place, reinstall threshold and screws. NOTE: Install screws by hand with Phillips #2 screwdriver.

### E.L. MUSTEE & SONS, INC.

5431 West 164th Street • Brook Park, Ohio 44142

SI-178 (10•13)