

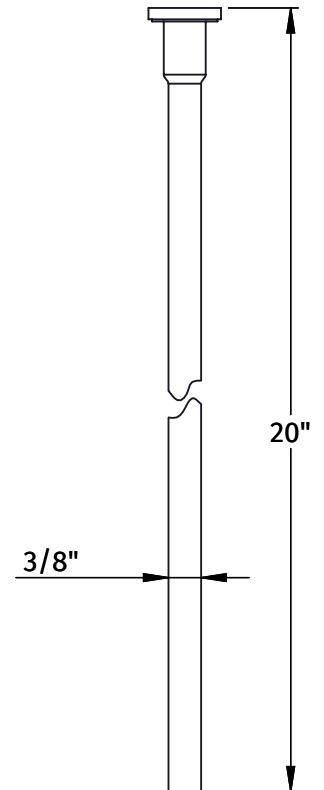
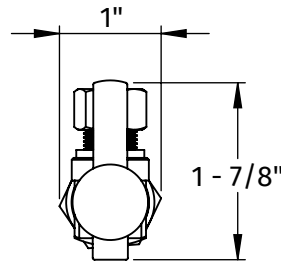
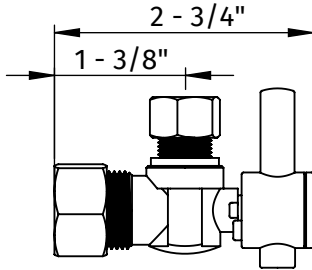
# MT582BL-NL

## **TOILET SUPPLY KIT WITH MINI LEVER HANDLE VALVE**

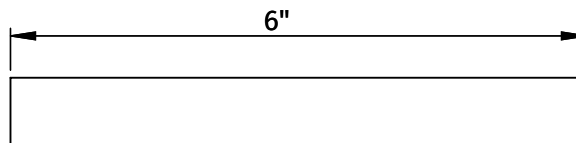
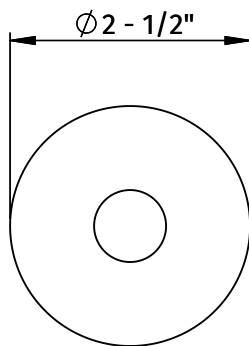
### SPECIFICATION SHEET



- ONE LEAD FREE cUPC CERTIFIED MT521-NL BALL VALVE
- 1/2" (5/8" OD) COMPRESSION INLET
- 3/8" OD COMPRESSION OUTLET
- ONE MT436X 20" SUPPLY TUBE
- ONE MT451X-6 COVER SLEEVE
- ONE MT439X ROUND ESCUTCHEON
- OFFERED IN STANDARD DECORATIVE FINISHES
- SPECIAL FINISHES AVAILABLE UPON REQUEST



## MT521-NL



## MT439X

## MT451X-6

## MT436X

#### **WARRANTY**

FOR WARRANTY INFO PLEASE VISIT [WWW.MOUNTAINPLUMBING.COM/WARRANTY-CLAIMS](http://WWW.MOUNTAINPLUMBING.COM/WARRANTY-CLAIMS)

#### **FINISH CARE & MAINTENANCE**

NEVER USE ANY HARSH ALKALI, ACID BASED DETERGENTS OR CLEANERS SUCH AS SOFT SCRUB®, SCRUBBING BUBBLES® OR COMET® TO CLEAN. DO NOT USE BRILLO® OR SCOTCH BRITE® PADS. THESE WILL ALL HARM THE FINISH. TO CLEAN, USE ONLY A DAMP SOFT CLOTH AND WIPE GENTLY. STANDARD WINDEX® CAN ALSO BE USED SPARINGLY. IT IS NOT NECESSARY TO WIPE HARD TO REMOVE SPOTS. TO MAINTAIN THE FINISH, WIPE WITH A SOFT DRY CLOTH AFTER USE. AN OCCASIONAL COAT OF PURE CARNAUBA WAX WITHOUT CLEANERS WILL HELP PROTECT THE FINISH.

SPECIFICATIONS SUBJECT TO CHANGE WITHOUT NOTICE