

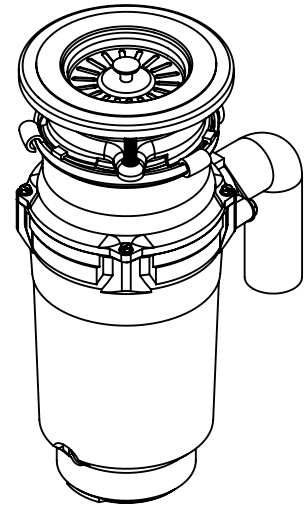
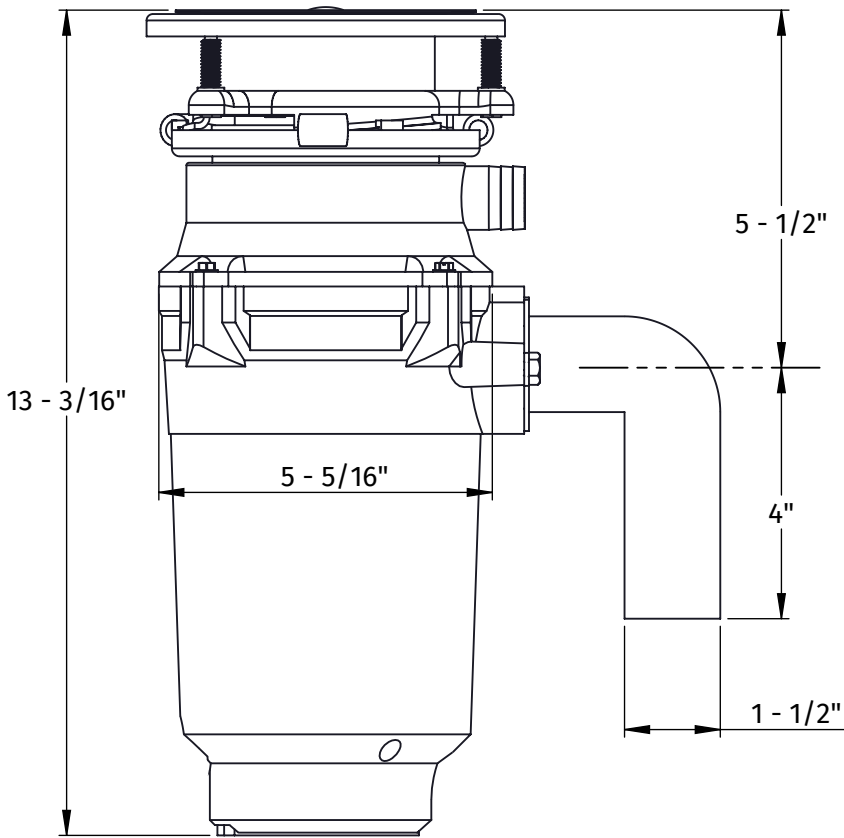
# STEALTH750

## 3/4 HP CONTINUOUS FEED FOOD WASTE DISPOSER



A McAlpine Company  
**Mountain**  
Plumbing Products

### SPECIFICATION SHEET



### SPECIFICATIONS

HP	3/4
Motor Type	Permanent Magnet
Feed	Continuous
Volts	110V
Frequency	50/60 Hz
Wattage	550 W
Amperage	5.0A
Motor Speed	3600 RPM
Hopper Capacity	29 oz
Balance Level	G 0.4
Turntable	Stainless Steel
Grind Rings	Stainless Steel
Sink Flange	Stainless Steel
Stopper	Stainless Steel
Drain Elbow	ABS
Bearings	Permanently Lubricated, Sleeve Type
Manual Reset Protector	Protection for Overload & Temp
Shipping Weight	11.5 lb

### FEATURES:

- Permanent Magnet High RPM Means High Torque & Fewer Jams
- Removable Splash Guard
- Stainless Steel Turntable & Grind Rings (Compared to Competitor's Cold-Rolled or Galvanized Steel)
- Factory Installed Power Cord with Plug
- Safe for Properly Sized Septic Tanks
- 3-Bolt Mounting System

### WARRANTY

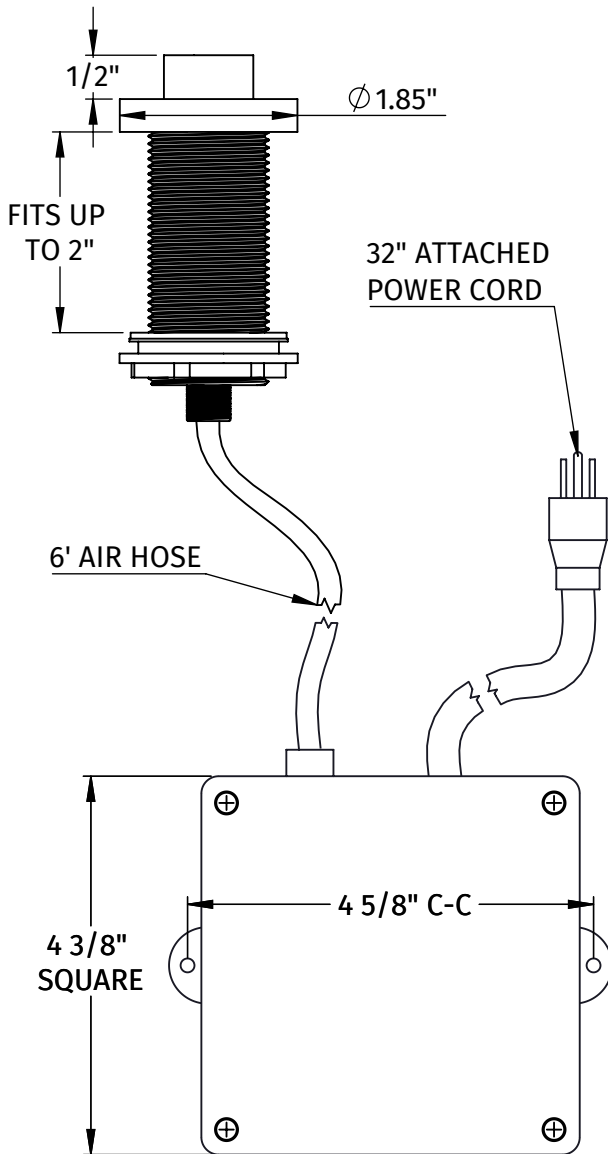
THE 3/4 HP MOUNTAIN PERFECT GRIND WASTE DISPOSER COMES WITH A LIFETIME WARRANTY AGAINST ANY MECHANICAL OR MATERIAL DEFECT. IN ADDITION TO THE ABOVE WARRANTY, ALL PERFECT GRIND DISPOSERS COME WITH A LIFETIME WARRANTY AGAINST CORROSION. LABOR NOT INCLUDED.

# MT957R

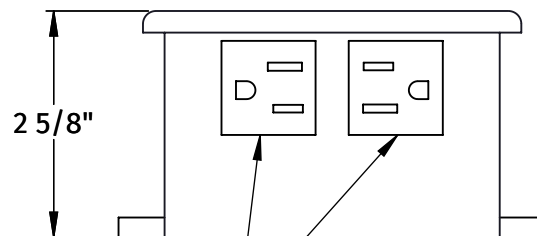
## ROUND "DELUXE" RAISED WASTE DISPOSER AIR SWITCH WITH FREEDOM MOUNT



### SPECIFICATION SHEET



- REQUIRES  $\phi 1 - 3/8"$  MOUNTING HOLE
- WILL FIT UP TO 2" THICK DECK
- FREEDOM TO MOUNT BOX ANYWHERE
- UL APPROVED
- AIR ACTUATED
- BOX MOUNTING HARDWARE NOT INCLUDED



ALTERNATING OUTLETS LOCATED  
ON BOTTOM SIDE OF BOX

#### WARRANTY

FOR WARRANTY INFO PLEASE VISIT [WWW.MOUNTAINPLUMBING.COM/PAGE/RESOURCES/WARRANTY](http://WWW.MOUNTAINPLUMBING.COM/PAGE/RESOURCES/WARRANTY)

#### FINISH CARE & MAINTENANCE

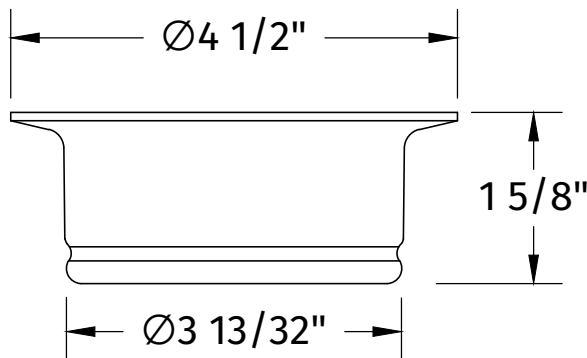
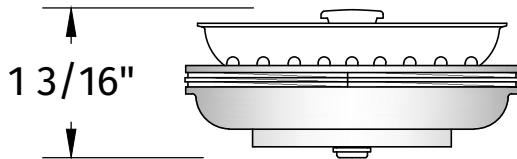
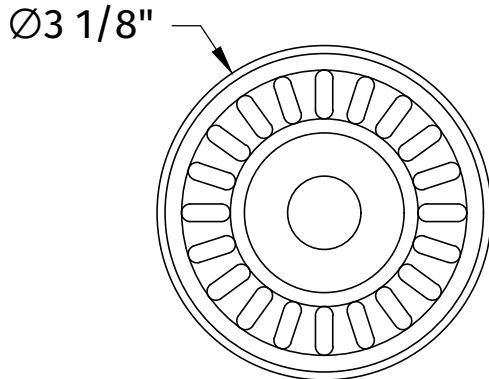
NEVER USE ANY HARSH ALKALI, ACID BASED DETERGENTS OR CLEANERS SUCH AS SOFT SCRUB®, SCRUBBING BUBBLES® OR COMET® TO CLEAN. DO NOT USE BRILLO® OR SCOTCH BRITE® PADS. THESE WILL ALL HARM THE FINISH. TO CLEAN, USE ONLY A DAMP SOFT CLOTH AND WIPE GENTLY. STANDARD WINDEX® CAN ALSO BE USED SPARINGLY. IT IS NOT NECESSARY TO WIPE HARD TO REMOVE SPOTS. TO MAINTAIN THE FINISH, WIPE WITH A SOFT DRY CLOTH AFTER USE. AN OCCASIONAL COAT OF PURE CARNAUBA WAX WITHOUT CLEANERS WILL HELP PROTECT THE FINISH.

SPECIFICATIONS SUBJECT TO CHANGE WITHOUT NOTICE

# MT200EV

## WASTE DISPOSER TRIM WITH STOPPER / STRAINER

### SPECIFICATION SHEET



- INTENDED FOR CONTINUOUS FEED 3-BOLT MOUNT DISPOSERS WITH 3 3/8" I.D.
- WILL FIT A SINK UP TO 5/8" THICK
- COMPATIBLE WITH THE FOLLOWING DISPOSERS:
  - MOUNTAIN PLUMBING PERFECT GRIND® 3-BOLT MOUNT
  - INSINKERATOR (ISE) OLD & NEW MODELS
  - FRANKE 3-BOLT MOUNT
  - KENMORE
  - WHIRLPOOL
  - KITCHENAID
  - MOEN

#### WARRANTY

FOR WARRANTY INFO PLEASE VISIT [WWW.MOUNTAINPLUMBING.COM/PAGE/RESOURCES/WARRANTY](http://WWW.MOUNTAINPLUMBING.COM/PAGE/RESOURCES/WARRANTY)

#### FINISH CARE & MAINTENANCE

NEVER USE ANY HARSH ALKALI, ACID BASED DETERGENTS OR CLEANERS SUCH AS SOFT SCRUB®, SCRUBBING BUBBLES® OR COMET® TO CLEAN. DO NOT USE BRILLO® AND SCOTCH BRITE® PADS. THESE WILL ALL HARM THE FINISH. TO CLEAN, USE ONLY A DAMP SOFT CLOTH AND WIPE USING A SOFT CLOTH. STANDARD WINDEX® CAN ALSO BE USED SPARINGLY. IT IS NOT NECESSARY TO WIPE HARD TO REMOVE SPOTS. TO MAINTAIN THE FINISH, WIPE WITH A SOFT DRY CLOTH AFTER USE. AN OCCASIONAL COAT OF PURE CARNAUBA WAX WITHOUT CLEANERS WILL HELP PROTECT THE FINISH.

SPECIFICATIONS SUBJECT TO CHANGE WITHOUT NOTICE