

DORRANCE

Double Robe Hook

42-13

Features

- Solid brass construction
- Complements Dorrance product series

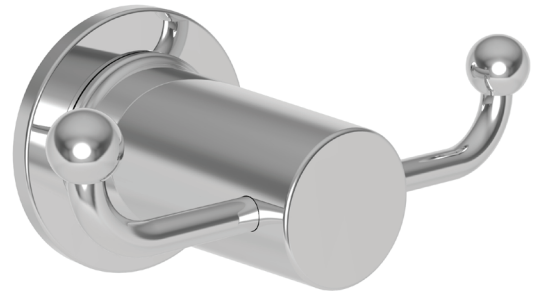
Codes / Standards Compliance

Meets or exceeds the following at date of manufacture:

- All applicable US Federal and State material regulations

Colors / Finishes

- 10B: Oil Rubbed Bronze
- 15: Polished Nickel
- 15S: Satin Nickel - PVD
- 26: Polished Chrome
- Other: Refer to the Newport Brass catalog for additional color/finish options.



Specified Model

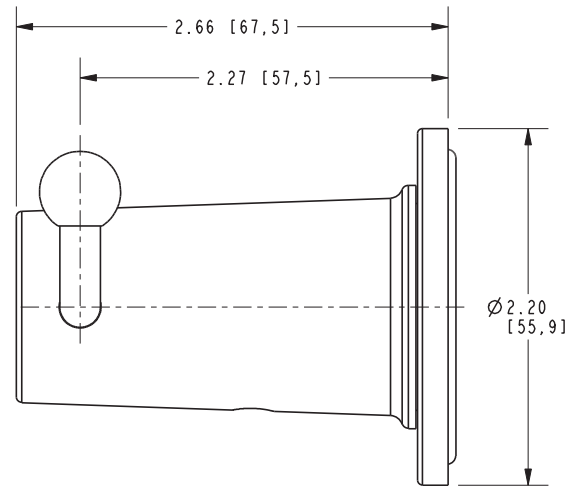
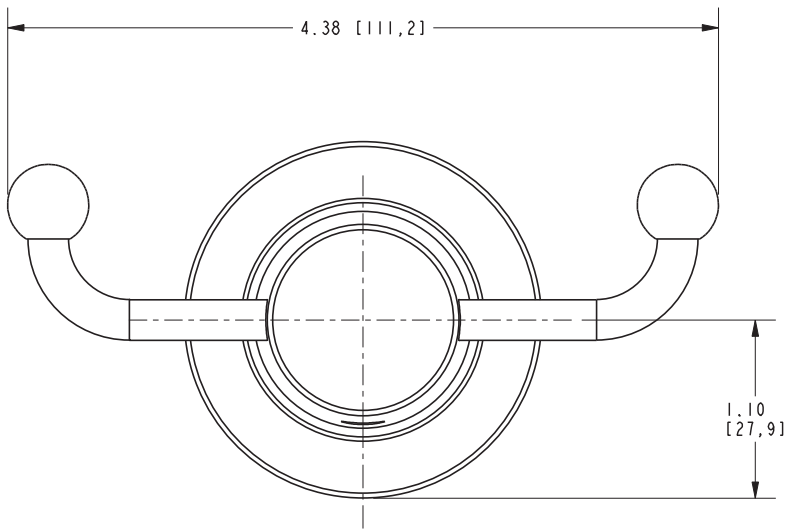
Model	Description	Colors Finishes
42-13	Double Robe Hook	<input type="checkbox"/> 10B <input type="checkbox"/> 15 <input type="checkbox"/> 15S <input type="checkbox"/> 26 <input type="checkbox"/> Other

Product Specification: Add "Color / Finish" suffix to Model number, below.

The Double Robe Hook shall be made of solid brass construction. Double Robe Hook shall complement Newport Brass Dorrance product series. Double Robe Hook shall be Newport Brass Model 42-13/____ .

42-13

PRODUCT DIMENSIONS *(Units are in inches)*



Dorrance Double Robe Hook
42-13