

Towel Ring
35-09

Features

- Solid brass construction
- Single-post, horizontal pivot design with hanging, closed ring
- Complements Sutton product series

Codes / Standards Compliance

Meets or exceeds the following at date of manufacture:

- All applicable US Federal and State material regulations

Colors / Finishes

- 10B: Oil Rubbed Bronze
- 15: Polished Nickel
- 15S: Satin Nickel - PVD
- 26: Polished Chrome
- Other: Refer to the Newport Brass catalog for additional color/finish options.



Specified Model

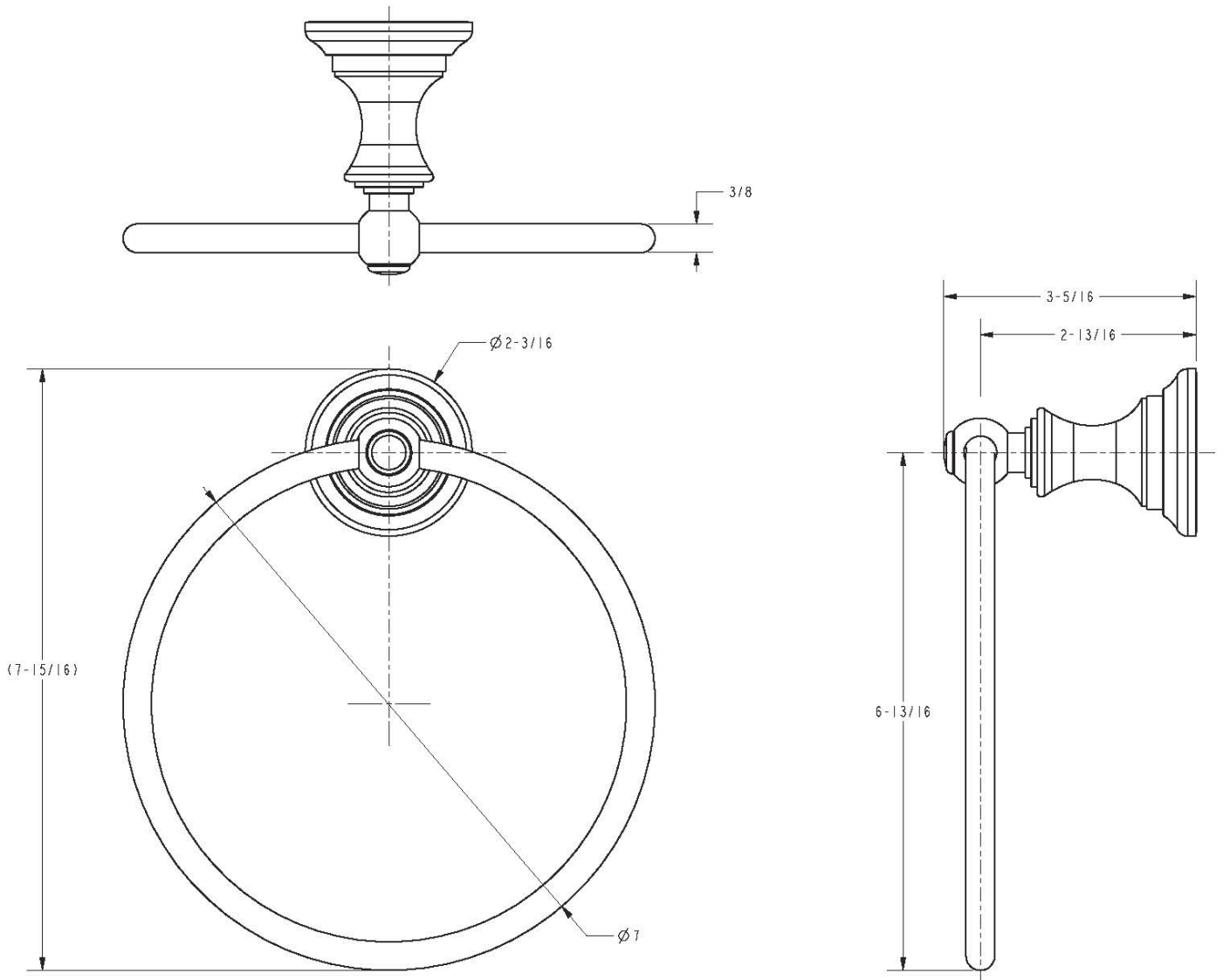
Model	Description	Colors Finishes
35-09	Towel Ring	<input type="checkbox"/> 10B <input type="checkbox"/> 15 <input type="checkbox"/> 15S <input type="checkbox"/> 26 <input type="checkbox"/> Other

Product Specification: Add "Color / Finish" suffix to Model number, below.

The Towel Ring shall be made of solid brass construction and incorporate a single-post, horizontal pivot design with hanging, closed ring. Towel Ring shall complement Newport Brass Sutton product series. Towel Ring shall be Newport Brass Model 35-09/_____.

35-09

PRODUCT DIMENSIONS *(Units are in inches)*



Sutton Towel Ring 35-09