

Norwell Lighting

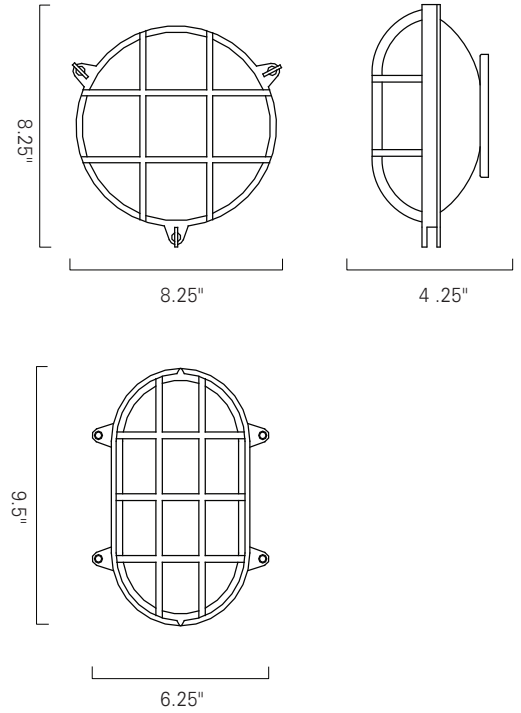
Product Name **Mariner**
 Model Number **1101 1102**
 Project Name _____
 Fixture Type _____ Quantity _____



Mariner - 1102
 Bronze (BR) Frosted (FR)



Mariner - 1101
 Chrome (CH) Frosted (FR)



INC

Product Name / Model / Dimensions				Finish Options	Glass	Lamping Options
Compton - 1101 1102				Standard Bronze (BR) Chrome (CH)	Standard Frosted (FR)	Standard Incandescent 1101 - (1) 60 Watt Edison T10 1102 - (1) 60 Watt Edison Torpedo Bulb
	Height	Width	Projection			
1101	9.5"	6.25"	4.25"			
1102	8.25"	8.25"	4.5"			
Backplate 4.25" H X 3.25" W						

4_2017