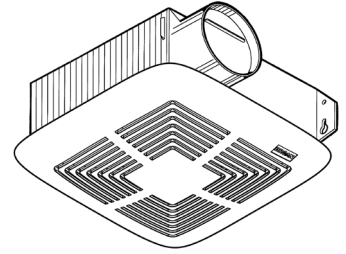


MODEL 771 CEILING / WALL FAN



The latest in ventilation technology - packs a high cfm / low sone blower assembly into a compact housing.

FEATURES

GRILLE:

- White polymeric - blends well with any decor
- Torsion spring grille mounting - no tools required
- Metal grille kit available - purchase separately

MOTOR:

- Plug-in, permanently lubricated
- Broan-designed polymeric blower wheel
- Snap in/out motor assembly for easy cleaning - no screws to drive or drop

HOUSING:

- Compact, 25-gauge galvanized steel - attaches easily to wall or ceiling joists
- Double strength mounting flanges with keyhole slots
- Removable wiring cover - make connections away from tight corners
- No electrical knockout to remove
- Polymeric duct fitting with tapered sleeve for easy, positive duct connection
- Quiet polymeric damper prevents cold backdrafts - no metallic clatter
- U.L. Listed for use over bathtubs and showers when connected to a GFCI protected branch circuit

CONTROLS DESIGNED FOR USE WITH THIS PRODUCT (purchase separately):

- Model 59V (Ivory) / 59W (White) 60-Minute Time Control
- Model 69V (Ivory) / 69W (White) Single Function Control

SPECIFICATIONS

VOLTS	AMPS	CFM	SONES	DUCT
120	1.5	70	4.0	3" Round

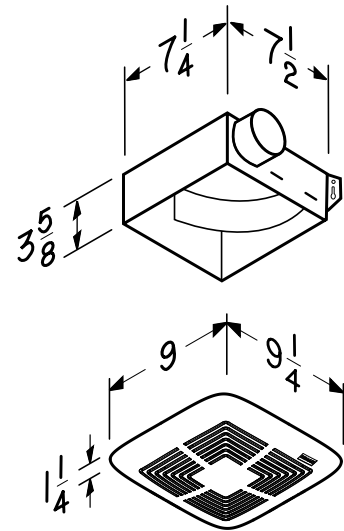
TYPICAL SPECIFICATION

Ventilator shall be Broan Model 771.

Ventilator shall have galvanized steel housing with double-strength mounting flanges. It shall be ducted vertically (horizontally) to a roof cap (wall cap).

Motor assembly shall be removable and permanently lubricated.

Air delivery shall be no less than 70 cfm and sound level no greater than 4.0 Sones. All air and sound ratings shall be certified by HVI. Unit shall be U.L. Listed.



HVI-2100 CERTIFIED RATINGS comply with new testing technologies and procedures prescribed by the Home Ventilating Institute, for off-the-shelf products, as they are available to consumers. Product performance is rated at 0.1 in. static pressure, based on tests conducted in AMCA's state-of-the-art test laboratory. Sones are a measure of humanly-perceived loudness, based on laboratory measurements.

Broan-NuTone LLC Hartford, Wisconsin www.broan.com 800-558-1711

REFERENCE	QTY.	REMARKS	Project
			Location
			Architect
			Engineer
			Contractor
			Submitted by Date