

STRUT CLAMP

517 SERIES

SPECIFICATION

Sioux Chief 517 series strut clamp shall be used where necessary to fasten or secure CTS tubing and IPS piping in residential or commercial applications. Complies with MSS SP58 - Type 59 Trapeze Hanger.

INSTALLATION

Install clamp in strut channel around tube or pipe and tighten nut and bolt

MATERIALS

517-C: Copper Zinc Dichromate meets ASTM B633 SC3 Type I

517-G: Zinc Electroplate meets ASTM B633 SC Type I

CLAMP SIZES & LOAD RATINGS

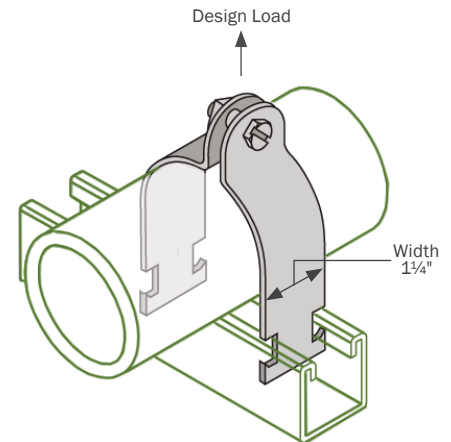
Item No.	Size (CTS)	O.D.	Width	Bolt Size	Ga.	Design Load (lbs)
517-C02	1/2"	0.625	1 1/4"	1/4"	16	400
517-C03	3/4"	0.875	1 1/4"	1/4"	16	400
517-C04	1"	1.125	1 1/4"	1/4"	14	600
517-C05	1 1/4"	1.375	1 1/4"	1/4"	14	600
517-C06	1 1/2"	1.625	1 1/4"	1/4"	14	600
517-C07	2"	2.125	1 1/4"	5/16"	12	800
517-C08	2 1/2"	2.625	1 1/4"	5/16"	12	800
517-C09	3"	3.125	1 1/4"	5/16"	12	800
517-C10	4"	4.125	1 1/4"	3/8"	11	1,000

Item No.	Size (IPS)	O.D.	Width	Bolt Size	Ga.	Design Load (lbs)
517-G02	1/2"	0.840	1 1/4"	1/4"	16	400
517-G03	3/4"	1.050	1 1/4"	1/4"	14	600
517-G04	1"	1.315	1 1/4"	1/4"	14	600
517-G05	1 1/4"	1.660	1 1/4"	1/4"	14	600
517-G06	1 1/2"	1.900	1 1/4"	5/16"	12	800
517-G07	2"	2.375	1 1/4"	5/16"	12	800
517-G08	2 1/2"	2.875	1 1/4"	5/16"	12	800
517-G09	3"	3.500	1 1/4"	5/16"	12	800
517-G10	4"	4.500	1 1/4"	3/8"	11	1,000

ITEM # SUBMITTED	_____
JOB NAME	_____
LOCATION	_____
ENGINEER	_____
CONTRACTOR	_____
PO#	_____ TAG _____



C517-G09



Create Item Number

517-AB

e.g. 517-C03: 3/4" Copper tubing strut clamp

A MATERIAL FINISH

- C Copper Zinc Dichromate
- G Zinc Electroplate

B TUBE/PIPE SIZE

- 02 1/2"
- 03 3/4"
- 04 1"
- 05 1 1/4"
- 06 1 1/2"
- 07 2"
- 08 2 1/2"
- 09 3"
- 10 4"