

ELECTRONIC TRAP PRIMER

▶▶ 695-E SERIES

ETP™

SPECIFICATION

Sioux Chief ETP series electronic trap primers shall be used where replenishment of floor drain traps is required. Trap Primers shall be listed and certified to ASSE 1044 and equipped with solenoid actuating device, vacuum breaker, distribution manifold, and proper electrical hardware. ETP series trap primers water release is factory-set for daily operation of 2 ounces of water. ETP series trap primers allow for various water distribution by adjusting the frequency and duration of the priming operation. Electronic Trap primers are equipped with an ASSE 1010 arrester to protect the solenoid device. ETP trap primers generally have a 1/2" f. sweat inlet and 5/8" compression outlets ports. ETP trap primers are available in various port totals up to 30 ports. ETP recessed and surface-mount primers are loaded into a metal box which is either 14" x 14" or 14" x 30".

MATERIALS

Box Surround: Galvanized Steel
 Arrester: Copper, EPDM oring, plastic piston, DOW 111 lubricant
 Distribution Tubing: Type L copper
 Outlet Connection: Brass
 Solenoid: Plastic housing, brass insides
 Vacuum Breaker: Brass

ELECTRICAL

Connect unit to 120 VAC supply. Power consumption is 9.2 watts at 60 Hz.
 Maximum feet to electrical supply: 300 Ft.
 Minimum wire gauge: 18 gauge.

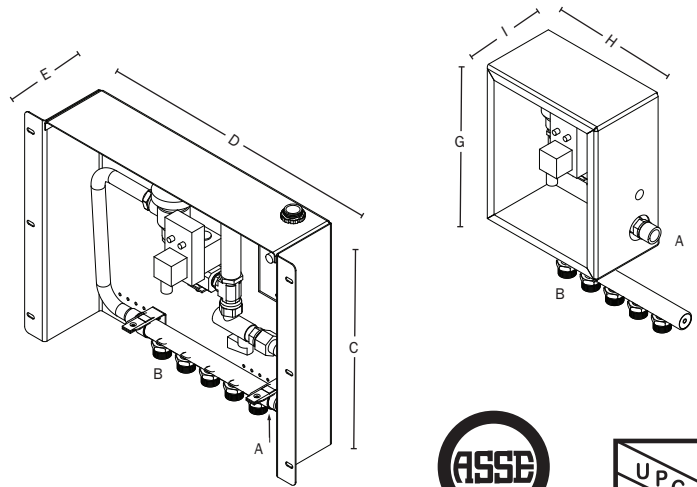
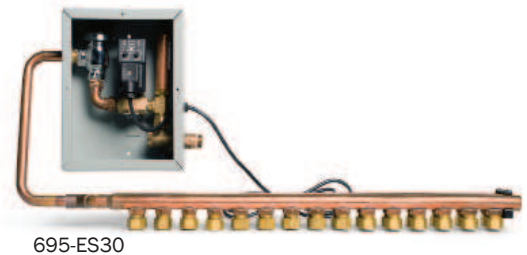
OPERATING TEMPERATURE/PRESSURE

35°F - 140°F / 20 psi - 60 psi

DIMENSIONS

A: Inlet Connection: 1/2" Female Sweat
 B: Outlet Connections: 5/8" Compression (11/16" UNS)
 (RECESSED CABINET UNITS)
 C: Cabinet Height: (14 x 14): 14" | (14 x 30): 14"
 D: Cabinet Width: (14 x 14): 14" | (14 x 30): 30"
 E: Cabinet Depth: 3"
 (SURFACE MOUNT UNITS)
 G: Cabinet Height: 8.5"
 H: Cabinet Width: 7"
 I: Cabinet Depth: 4"

ITEM # SUBMITTED _____
JOB NAME _____
LOCATION _____
ENGINEER _____
CONTRACTOR _____
PO# _____ TAG _____



Create Item Number

695- E A B

* = recessed box size

e.g. 695-ER15= Recessed cabinet electronic trap primer, 15 port
 Additional options available at www.siouxchief.com

A Box Type

- R Recessed box
- S Surface mount

B Port Outlet Multiple

- 5 w/ single manifold (14 x 14 box*)
- 10 w/ double manifold (14 x 14 box*)
- 15 w/ single manifold (14 x 30 box*)

Port Outlet Multiple

- 20 w/ single manifold (14 x 30 box*)
- 30 w/ double manifold (14 x 30 box*)