

NEOREST® EW™ Wall-Hung Toilet, 1.28GPF & 0.9GPF

FEATURES

NEOREST EW

- 3D Tornado Flush™ system, high efficiency
- CEFIONTECT® ceramic glaze - a highly smoothed surface for easier cleaning
- Dual Flush function (1.28 GPF/4.8 LPF and 0.9 GPF/3.4 LPF)
- Universal Height
- WASHLET® with three wash modes (front, rear, soft)
- Oscillating and pulsing comfort washing
- Auto lid open/close, auto flush
- Automatic air purifying system
- Adjustable heated seat
- Adjustable spray position
- Programmable energy saver system
- Back-up manual flush
- EWATER+® - mists the bowl with electrolyzed water, reducing the need for harsh cleaning chemicals.
- Multifunctional remote control
- ADA compliant

NEOREST In-Wall Tank Unit

- Dual-Max® flushing system, high-efficiency (1.28 GPF/4.8 LPF & 0.9 GPF/3.4 LPF)
- Adjustable 15"-19" mounting height
- Supports up to 880lbs
- Commercial 2" x 6" or optional residential installation with 2" x 4" wall studs with waste outlet kit
- Copper pipe supply line

KIT COMPONENTS

- CT994CEFG#01
Bowl Unit
- SN994M#01
Top Unit
- WT174M
NEOREST In-Wall Tank Unit (Copper Pipe)
- YT994#WH
White Glass Push Plate

COLORS/FINISHES

- Standard
#01 Cotton



3D Tornado Flush



WASHLET



CEFIONTECT



EWATER+

CODES/STANDARDS

- Meets and exceeds:
 - Bowl: ASME A112.4.2, ASME A112.19.2/CSA B45.1, ASME A112.18.1/CSA B125.1, UL 1431, CSA C22.2 # 68
 - Carrier System: ASME A112.6.2
 - Tank Trim: IAPMO PS50, CSA B125.3, ASSE1002
- Certifications: IAPMO(cUPC), EPA WaterSense, State of Massachusetts, City of Los Angeles and others
- Code Compliance: UPC, IPC, NSPC, and others
- ADA compliant
- Complies with CA Prop 65 warning requirements



CWT994CEMFG

NEOREST EW Wall-Hung Toilet, 1.28GPF & 0.9GPF

PRODUCT SPECIFICATIONS

CT994CEFG

The NEOREST EW with the 3D Tornado Flush system toilet shall be 1.28 GPF/4.8 LPF and 0.9 GPF/3.4 LPF. Toilet shall have CEFIONTECT ceramic glaze and be at Universal Height. Toilet shall be of skirted design with auto open and close seat. Toilet shall be TOTO Model CT994CEFG.

Water Use:	1.28 GPF & 0.9 GPF (4.8 LPF & 3.4 LPF)
Flush System:	3D Tornado Flush
Water Pressure:	Flowing: Min 7.25 PSI (0.05MPa) Static: Max 108.75 PSI (0.75 MPa)
Water Surface:	5-3/4" x 4"
Trap Diameter:	2" (53 mm)
Trap Seal:	2-1/16" (53 mm)
Warranty:	Three Year Limited (Residential) One Year Limited (Commercial)
Material:	Bowl: Vitreous china Seat + Cover: Urea-Resin
Shipping Weight:	81.6 lbs
Shipping Dimensions:	29-5/16" L x 18-1/16" W x 17-1/2" H

SN994M

Power Rating:	AC 120 V, 60 Hz, 1300 W
Power Cord:	1.2 m (3.94 ft)
Water Feature:	Adjustable Water Flow Rate
Rear Washing:	Approx. 0.07 - 0.11 gal/min
Soft Washing:	Approx. 0.08 - 0.11 gal/min
Front Washing:	Approx. 0.08 - 0.11 gal/min
Wide Front Washing:	Approx. 0.09 - 0.11 gal/min
Washing Spray Temperature:	Approx: 86°F - 104°F (30°C - 40°C)
Safety Feature:	Temperature Fuse
Drying Feature:	Air Temperature: Approx: 95°F - 140°F (35°C - 60°C)
Airflow Volume:	10.2 ft ³ /min
Safety Feature:	Temperature Fuse
Seat Warming Feature:	Surface Temperature: Approx: 82°F - 97°F (28°C - 36°C)
Seat Heater Capacity:	59 W
Safety Feature:	Thermal Fuse
Air Purifying Feature:	O ₂ Deodorizer
Air Volume:	5.7 ft ³ /min
Ambient Temperature Range:	32°F/0°C to 104°F/40°C
Product Size:	16-7/10" W x 26-3/5" D x 20-9/10" L
Weight:	Net: 97 lbs.
Floor to Seat Height:	17 1/4" (438mm) Recommended
Shipping Weight:	26.5 lbs
Shipping Dimensions:	31-1/4" L x 19-9/16" W x 8-7/8" H

WT174M

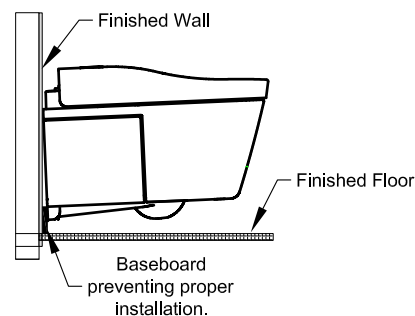
This universal height, high-efficiency, dual flushing, in-wall tank unit toilet shall be 1.28GPF & 0.9GPF. Requires TOTO toilet model CT994CEFG. In-Wall tank system shall be TOTO Model WT174M.

Water Use:	1.28 GPF & 0.9 GPF (4.8 LPF & 3.4 LPF)
Flush System:	Dual-Max®
Min Water Pressure:	7.25 PSI (Flowing)
Installation Height:	15" - 19"
Warranty:	One Year Limited
Material:	Various
Shipping Weight:	43 lbs
Shipping Dimensions:	47-1/2" L x 26" W x 6" H

Installation Note

- For use with potable water only. Do not use with recycled water.
- Adequate structural bracing is required

INCORRECT INSTALLATION

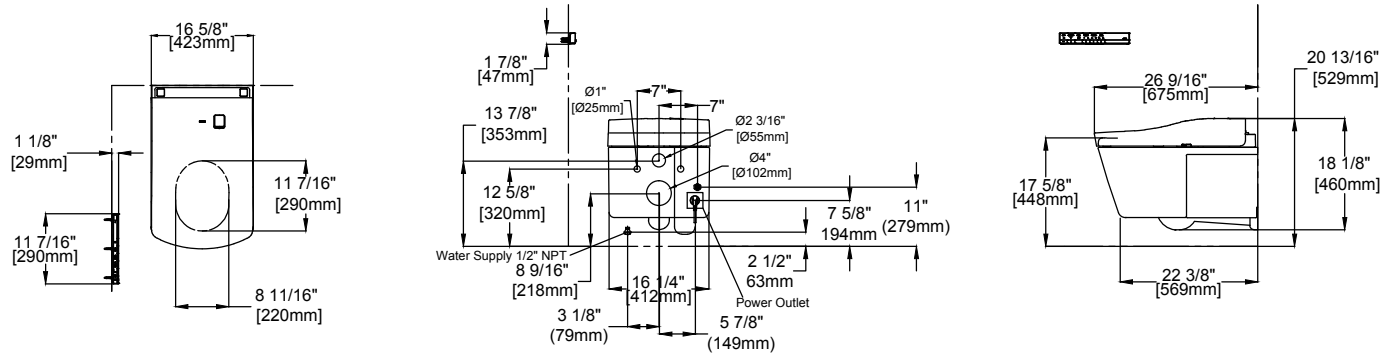


CWT994CEMFG

NEOREST EW Wall-Hung Toilet, 1.28GPF & 0.9GPF

PRODUCT DIMENSIONS

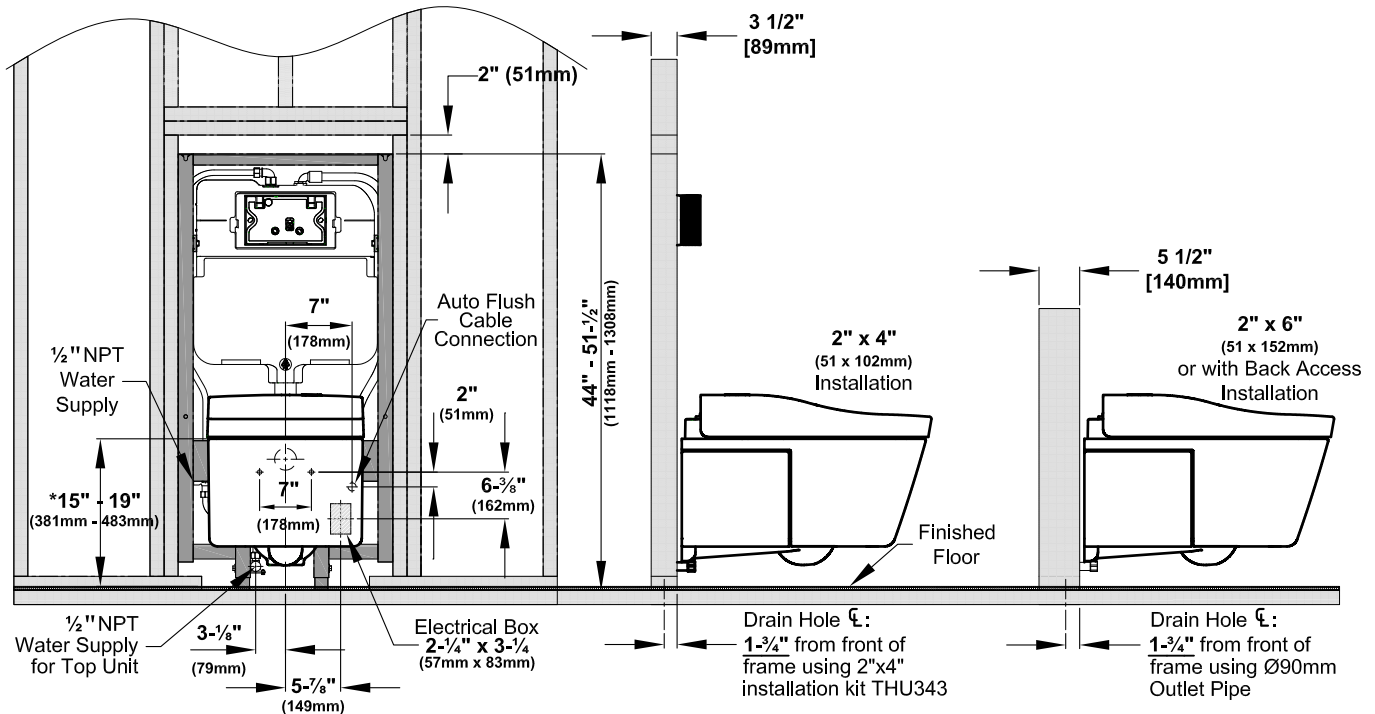
CT994CEFG/SN994M



WT174M

*Refer to Installation Manual on the specific Carrier height for the desired height of the toilet

Frame work
Follow wall framing code around the Carrier



TOTO

These dimensions and specifications are subject to change without notice