

## Nexus® 1G® WASHLET®+ C5 Two-Piece Toilet - 1.0 GPF

### FEATURES

- Concealed supply connection for seamless installation
- TORNADO FLUSH® system, high-efficiency (1.0 GPF/3.8 LPF)
- CEFIONTECT® ceramic glaze prevents debris and mold from sticking to ceramic surfaces
- Completely skirted design for a sleek and understated look that's easier to clean
- UNIVERSAL HEIGHT
- 12" Rough-in
- Chrome plated trip lever
- Elongated front bowl and WASHLET+ C5 and tank set
- EWATER+® auto-cleans wand
- On-demand remote function cleans wand with EWATER+
- PREMIST® of bowl before each use
- Convenient slim wireless remote, with illuminated touchpad

### MODELS & COMPONENTS

- MW4423084CUFG (#01)  
With CEFIONTECT ceramic glaze, WASHLET+ C5
  - CT442CUFGT40  
Elongated bowl with CEFIONTECT
  - ST442UA  
Tank and cover only
  - SW3084T40  
WASHLET+ C5
  - 9AU321-A  
WASHLET Adapter
- **Optional Components**
- THU485(#01, #PN, #BN)  
Trip Lever - Cotton, Polished Nickel, Brushed Nickel
- TSU10W.14  
14" Unifit Rough-In

### COLORS/FINISHES

- #01 Cotton



- 1G One Gallon Per Flush
- TORNADO FLUSH
- CEFIONTECT
- EWATER+
- UNIVERSAL HEIGHT

### PRODUCT SPECIFICATION

The two-piece high-efficiency TORNADO FLUSH system toilet shall be 1.0 GPF/3.8 LPF. Toilet shall be 12" Unifit rough-in. Toilet shall have CEFIONTECT ceramic glaze and be at UNIVERSAL HEIGHT. Toilet shall have elongated front bowl and Polished Chrome trip lever. Toilet shall be TOTO Model MW4423084CUFG#01.

See SW3084T40 Specification Sheet for details on included WASHLET.

### CODES/STANDARDS

- Meets or exceeds ASME A112.19.2/CSA B45.1
- Certifications: IAPMO(cUPC), EPA Watersense, State of Massachusetts, City of Los Angeles, and others
- Code compliance: UPC, IPC, NSPC, NPC Canada, and others
- Legislative Compliance: California AB715, California Green Building Code, City of Los Angeles Water Efficiency Ordinance
- ADA compliant (when installed with trip lever located on the approach side)
- Complies with CA Prop 65 warning requirements



# MW4423084CUFG

## Nexus® 1G® WASHLET+ C5 Two-Piece Toilet - 1.0 GPF

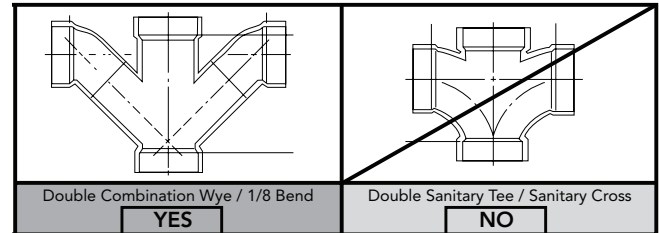
### SPECIFICATIONS

|                            |  |
|----------------------------|--|
| <b>Water Use</b>           | 1.0 GPF (3.8 LPF)                              |
| <b>Flush System</b>        | TORNADO FLUSH®                                 |
| <b>Min. Water Pressure</b> | 8 psi (Static)                                 |
| <b>Water Surface</b>       | 6-5/8" x 9-1/8"                                |
| <b>Trap Diameter</b>       | 2-1/8"   |
| <b>Rough-in</b>            | 12" (14" Optional)                             |
| <b>Trap Seal</b>           | 2-1/4"   |
| <b>Warranty</b>            | One Year Limited Warranty                      |
| <b>Material</b>            | Vitreous China                                 |
| <b>Shipping Weight</b>     | CT442CUFGT40<br>87 lbs                         |
|                            | ST442UA<br>25 lbs                              |
| <b>Shipping Dimensions</b> | CT442CUFGT40<br>29-3/4"L x 18-1/4"W x 18-3/4"H |
|                            | ST442UA<br>17-1/4"L x 7-7/8"W x 17-1/2"H       |

### INSTALLATION NOTES

#### Back-to-Back Toilet Installations:

TOTO recommends the use of a nationally listed, double sanitary tee-wye only, in vertical waste stacks, in accordance with the stipulations noted in the majority of nationally recognized plumbing codes.

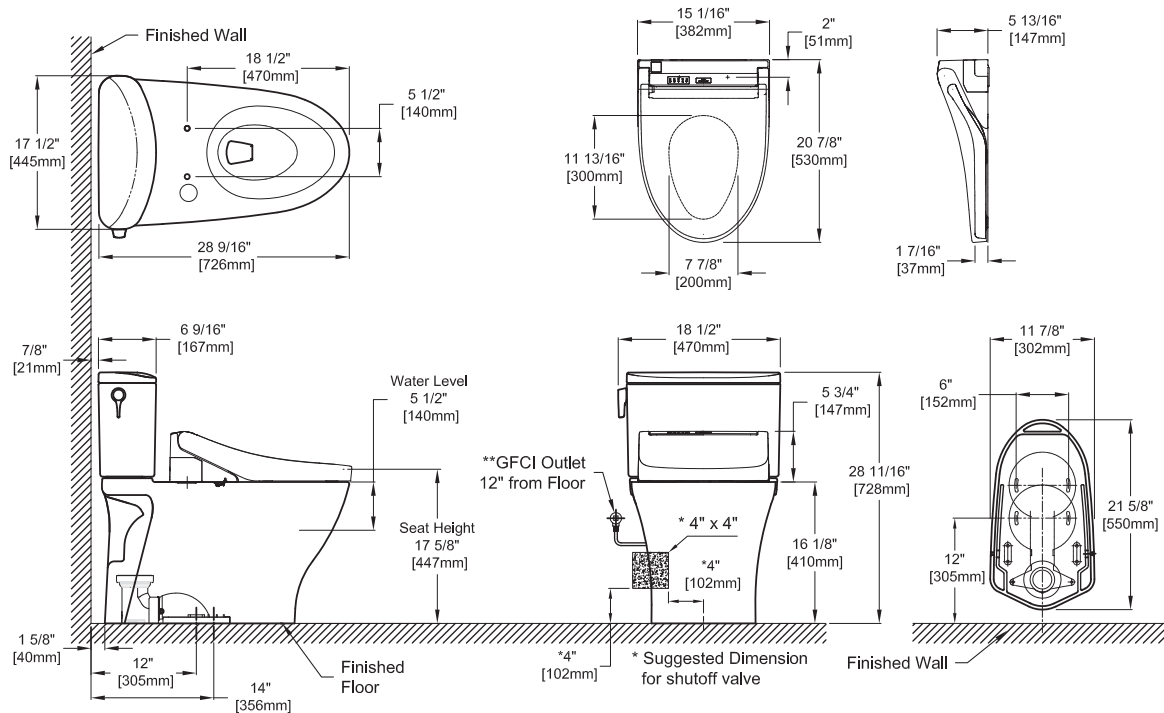


To maintain adequate wall gap between the back of the tank and wall, mount the floor flange at a nominal 12" rough-in distance.

See SW3084T40 Specification Sheet for details on included WASHLET.

### DIMENSIONS

\*\*GFCI outlet of 120V, 10amps.  
Washlet power cord is 4' long with 3 prongs.



**TOTO®**

These dimensions and specifications are subject to change without notice

Ph: (888) 295-8134 | Fax: (800) 699-4889 | www.totousa.com | © TOTO USA

# SS-01880 v.01